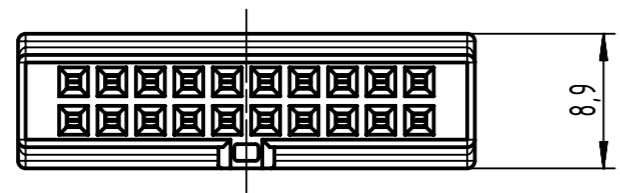


Number of contacts(P)	Part number	Dim A	Dim B	Dim C	Packing quantity
6	0919 506 X829	5,08	12,42	4,5	100pcs
10	0919 510 X829	10,16	17,5		100pcs
14	0919 514 X829	15,24	22,58		100pcs
16	0919 516 X829	17,78	25,12		100pcs
20	0919 520 X829	22,86	30,2		100pcs
26	0919 526 X829	30,48	37,82		100pcs
30	0919 530 X829	35,56	42,9		100pcs
34	0919 534 X829	40,64	47,98		100pcs
40	0919 540 X829	48,26	55,6		100pcs
50	0919 550 X829	60,96	68,3		50pcs
60	0919 560 X829	73,66	81		50pcs
64	0919 564 X829	78,74	86,08		50pcs

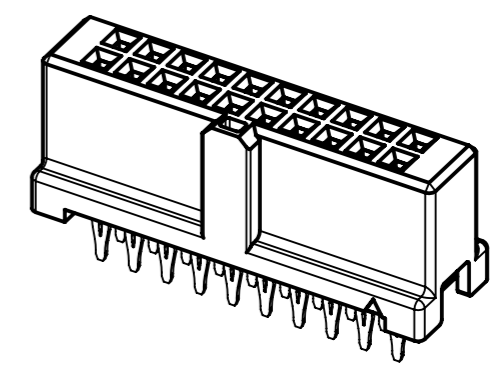


Numbering system:

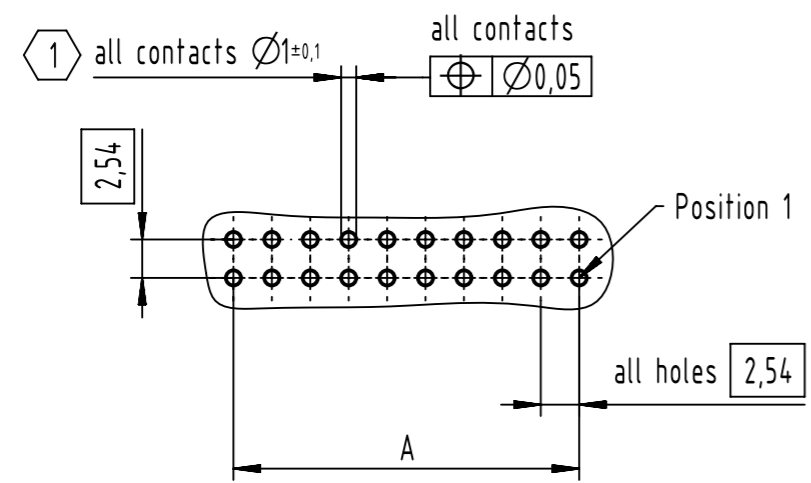
0919 5XX X829

Performance level:  
 6=PL2  
 7=PL3  
 5=S4(NM30)

Number of contacts



PCB layout, component side



1 Recommended configuration of plated through holes and further information see product data sheet

	All rights reserved Department EL PD	All Dimensions in mm Original Size DIN A3		Scale 2:1	Free size tol. complementary IEC 60603-13	Ref. Sub.
		Created by SHENGJ	Inspected by WANGSTE	Standardisation 302077	Date 2021-05-24	State Final Release
HARTING D-32339 Espelkamp		Title SEK 19 female press-in straight - mezzanine			Doc-Key / ECM-Nr. 100919935/UGD/000/A 500000194173	
		Type TB	Number 09195XXX829		Rev. A	Page 1/1