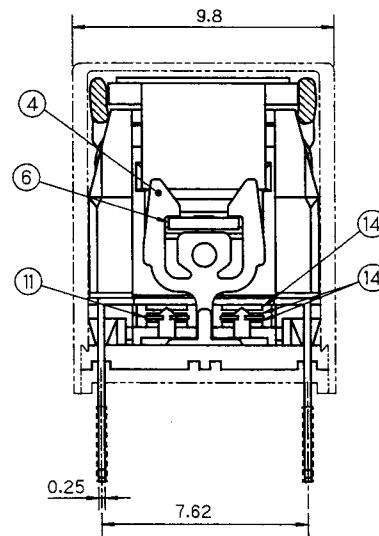
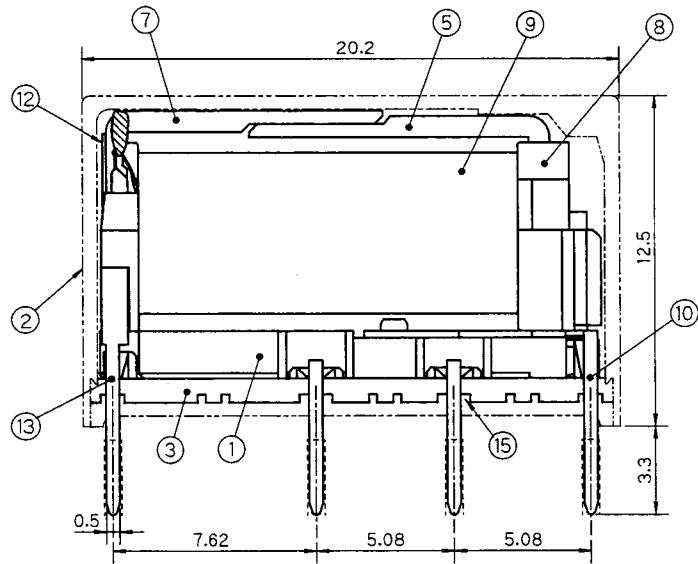


PARTS LIST

No.	PARTS	MATERIAL	UL FLAME CLASS
1	Base Mold	Polycarbonate with Glassfiber	94V-2
2	Dust Cover	Polybutylene Terephthalate with Glassfiber	94V-0
3	Base Plate	Polybutylene Terephthalate with Glassfiber	94V-0
4	Card	Polycarbonate with Glassfiber and Teflon	94V-2
5	Pole Piece	Soft Magnetic Iron	
6	Armature	Soft Magnetic Iron	
7	Yoke	Soft Magnetic Iron	
8	Coil Bobbin	Polycarbonate with Glassfiber	94V-2
9	Magnet Wire	Polyurethane Enameled Copper Wire	
10	Stationary Contact Arm	Phosphor Bronze	
11	Movable Contact Arm	Phosphor Bronze	
12	Hinge Spring	Copper alloy	
13	Coil Terminals	Copper alloy	
14	Contact	Refer to specifications	
15	Adhesives		



※ Part of terminals : Pre-soldering

RY-()W-K RELAY	DRAWN	<i>R. Ide</i>	<i>Jul. 16 '97</i>
	CHECKED		
	APPROVED	<i>H. Sato</i>	<i>Jul. 18 '97</i>
TAKAMISAWA ELECTRIC CO., LTD.		UNIT mm	SHEET No. TSD-3266