

# DIN BASE

SKU:M132



## Description

**DinBase** is a "5X5cm" series base specially designed for "DinRail" rail fixing. It is suitable for **M5Core**, and built-in **500mAh** lithium battery, can be externally input DC power supply (support 9~24V); On-board power physical switch to completely shut down external power and battery. Reserved Port B and Port C interfaces. Lego mounting holes on the lower side for easy fixing, and the bottom supports standard 35mmDinrails; In addition, 4 plug-in ears are provided to support a variety of fixing methods. DinBase has a number of proto pads reserved on the internal PCB for easy DIY.

## Features

- 1X12P 2.54 interface
- Port B, Port C interface
- Power supply mode:
  - DC power supply (9-24V),
  - 500mAh lithium battery
- Power switch
- Multiple mounting options:
  - DinRail
  - hanging ears
  - two copper nuts embedded in the bottom
  - three LEGO fixing holes on the sides

# Include

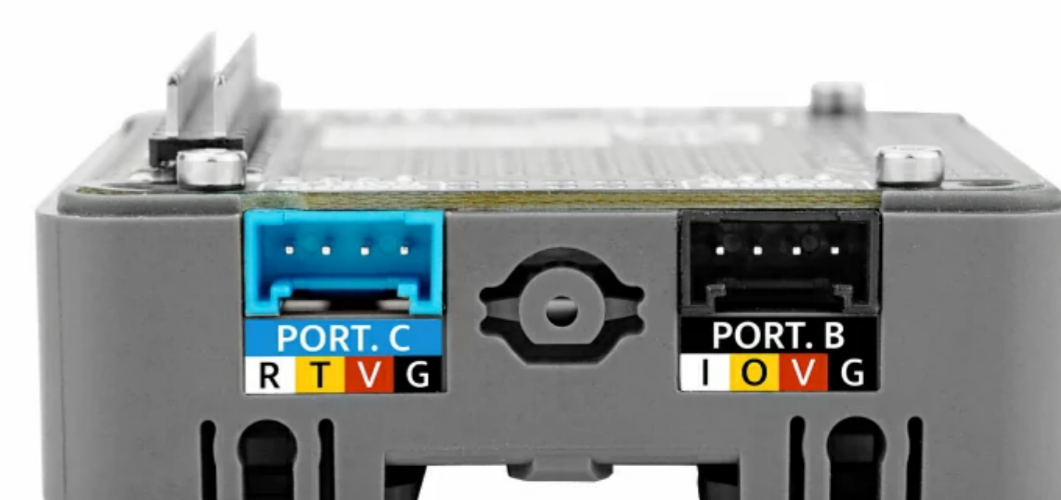
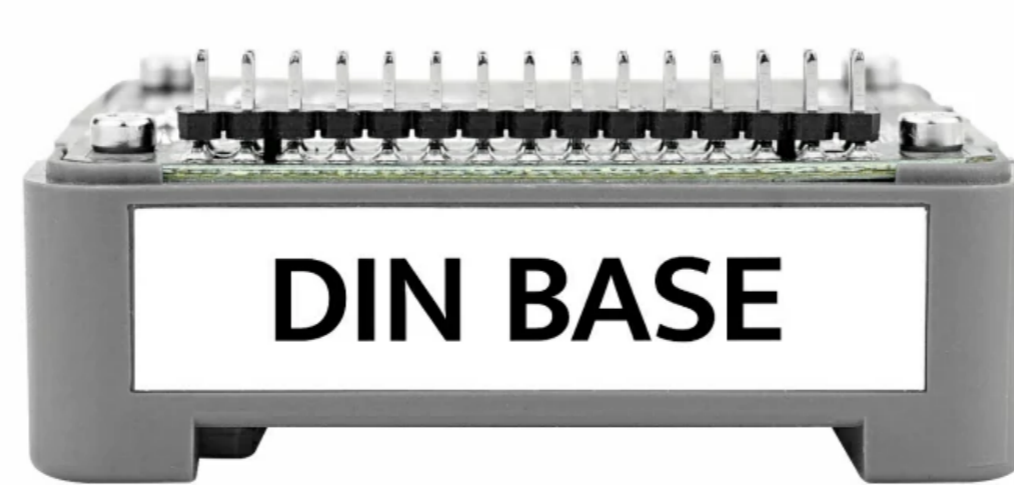
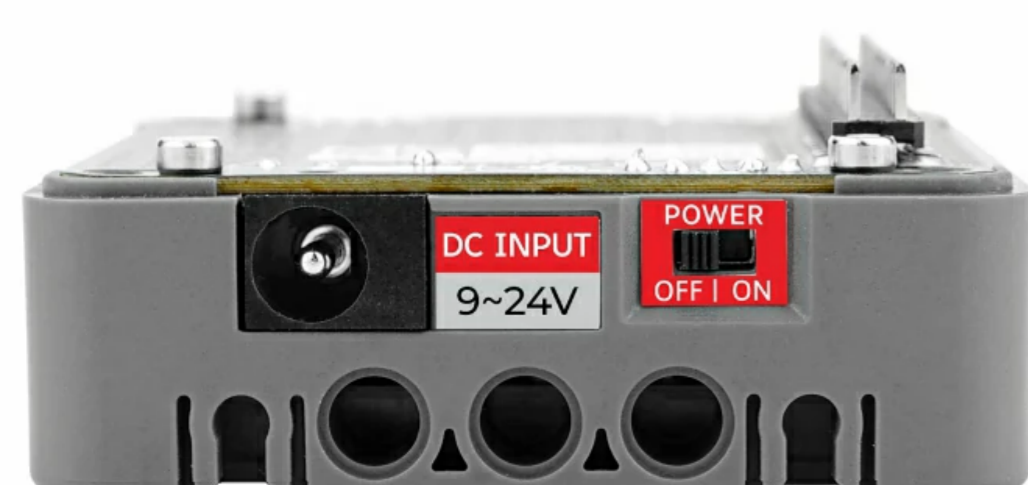
- 1\*DinBase
- 4\*Hanger
- 1\*Snap
- 1\*Hex key
- 2\*nut(2×25mm for Core2/CoreS3)
- 2\*nut(2×22mm for Core1)
- 2\*nut(2×20mm for Core2/CoreS3)

# Applications

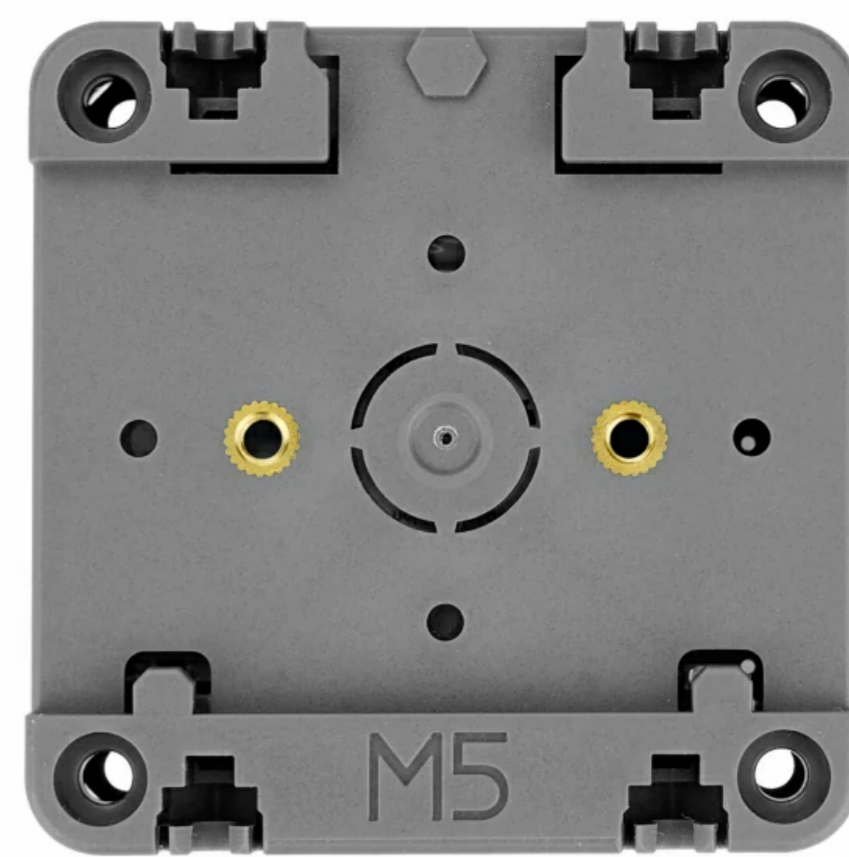
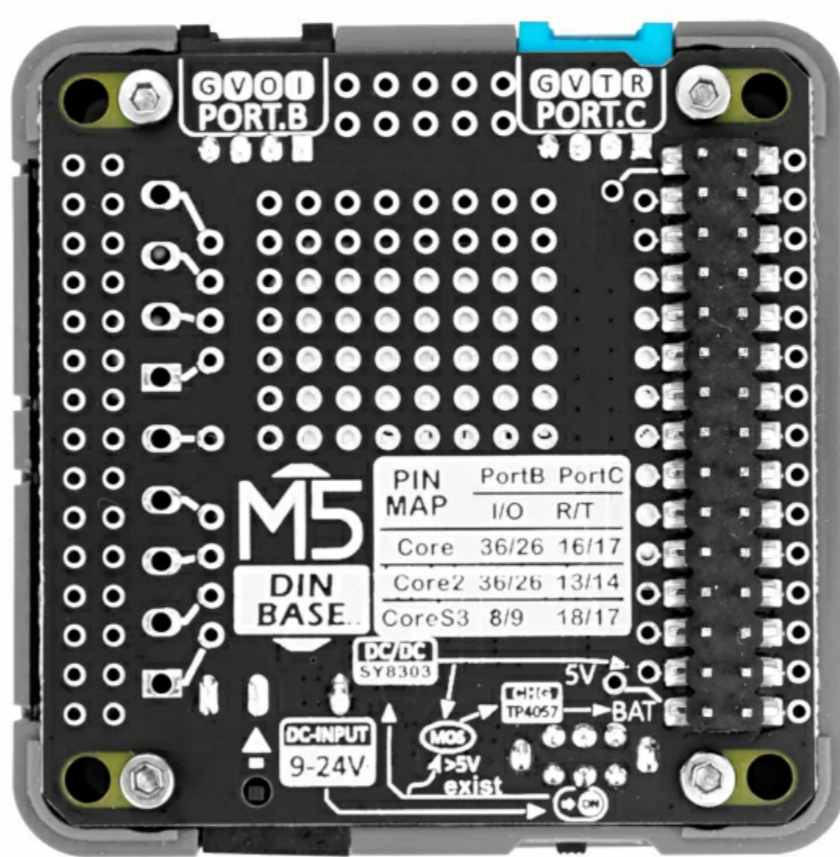
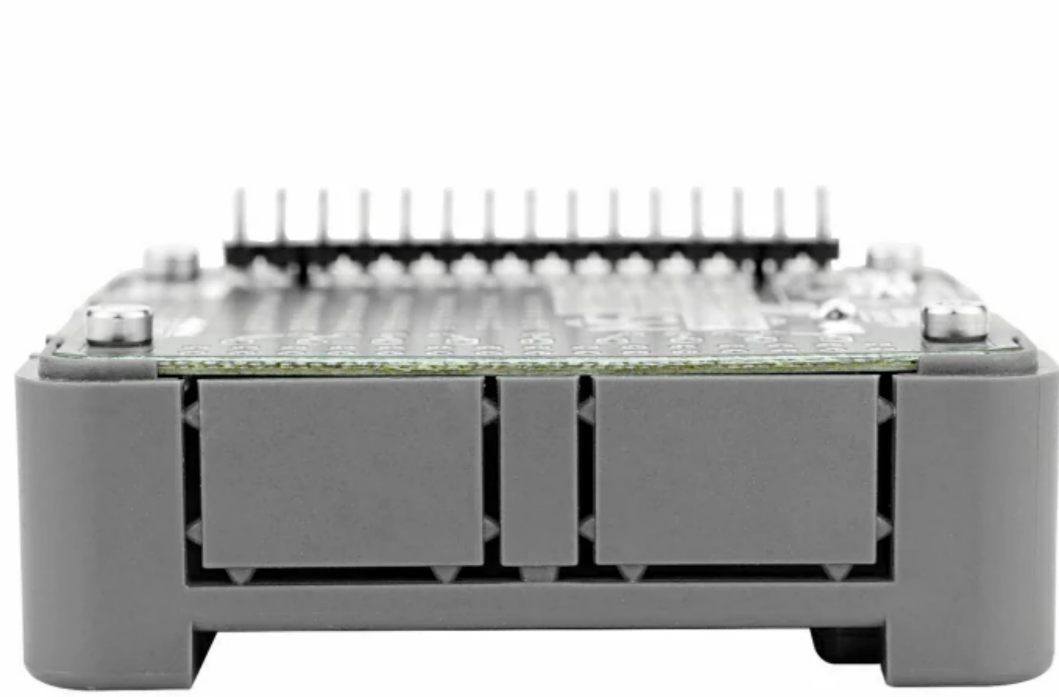
- DIY
- Scenarios where hosts such as M5Core are powered separately

# Specification

Resources	Parameters
DCDC buck chip	SY8303AIC
Lithium battery charging chip	TP4057
DC External power supply	DC9-24V
Product Size	54*54*19mm
Package Size	95*65*21mm
Product Weight	45g
Package Weight	64.2g







## Products related to this item

[BASIC-V27 \(K001-V27\)](#)

[CORE2 \(K010\)](#)

[CoreS3 \(K128\)](#)

## Pin Map

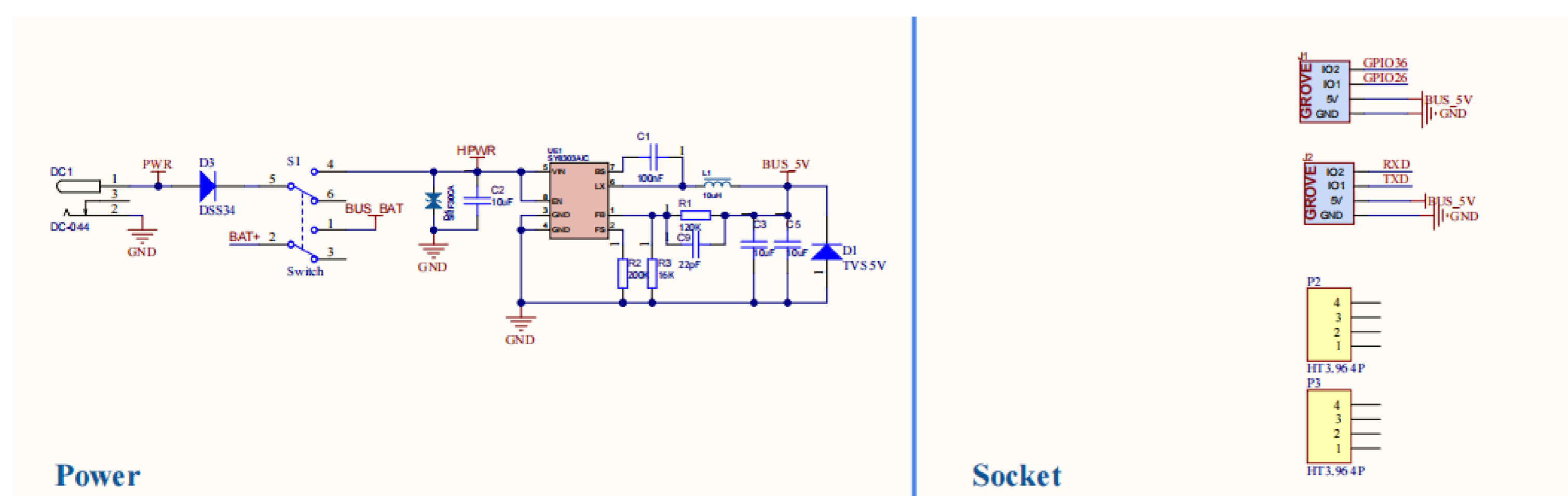
### PORT

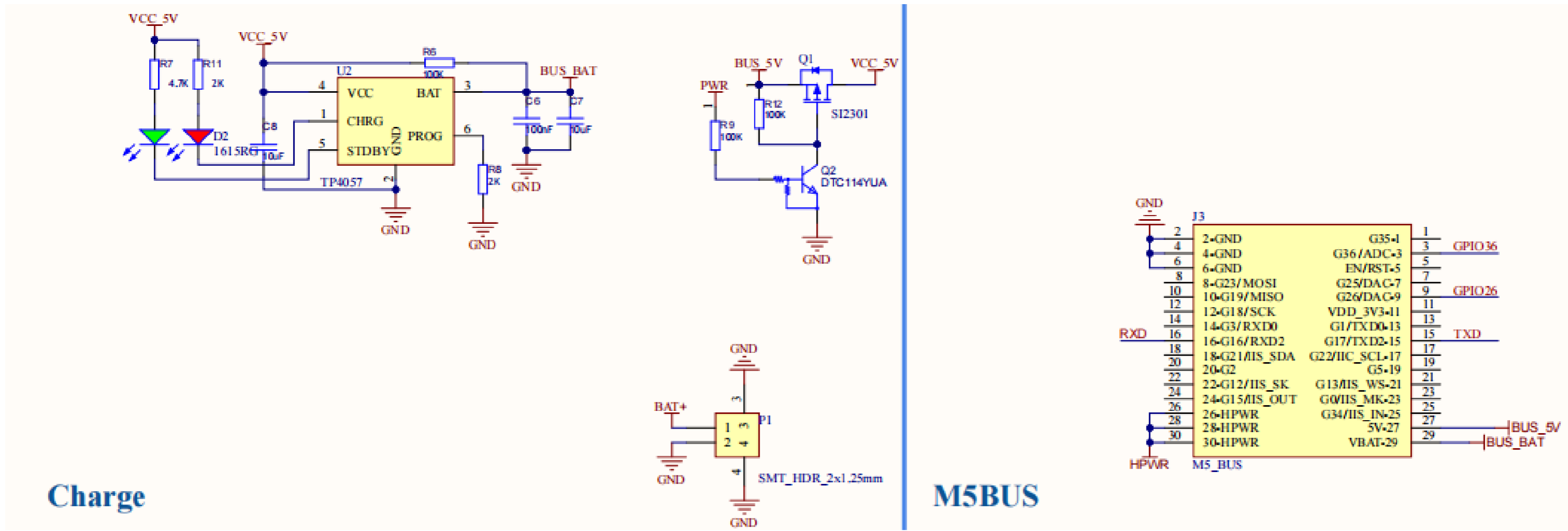
Port	Core	Core2	CoreS3	note
PORT-B(Black)	G36/G26	G36/G26	G8/G9	I/O
PORT-C(Blue)	G16/G17	G13/G14	G18/G17	RX/TX

## Related Link

- [Power Manager TP4057](#)
- [SY8303AIC](#)

## Schematic





# Module Size

