

M16 Male Connector, Front Fastened



Features

- High level of ingress protection, meaning it is suitable for use in dusty or damp environments
- Robust nickel plated housing
- High endurance
- Designed to provide a convenient and reliable connection system suited to a wide range of industrial applications



Specification

Art Nr.	Contacts	Rated Current	Rated Voltage	Rated Pulse Voltage	Insulation Resistance	Contact Resistance
RND 205-01405	4	6 A	250 V	1.5 kV	100 mOhm	5 MOhm
RND 205-01411	5	6 A	250 V	1.5 kV	100 mOhm	5 MOhm
RND 205-01406	6	5 A	250 V	1.5 kV	100 mOhm	5 MOhm
RND 205-01407	7	5 A	125 V	800 V	100 mOhm	5 MOhm

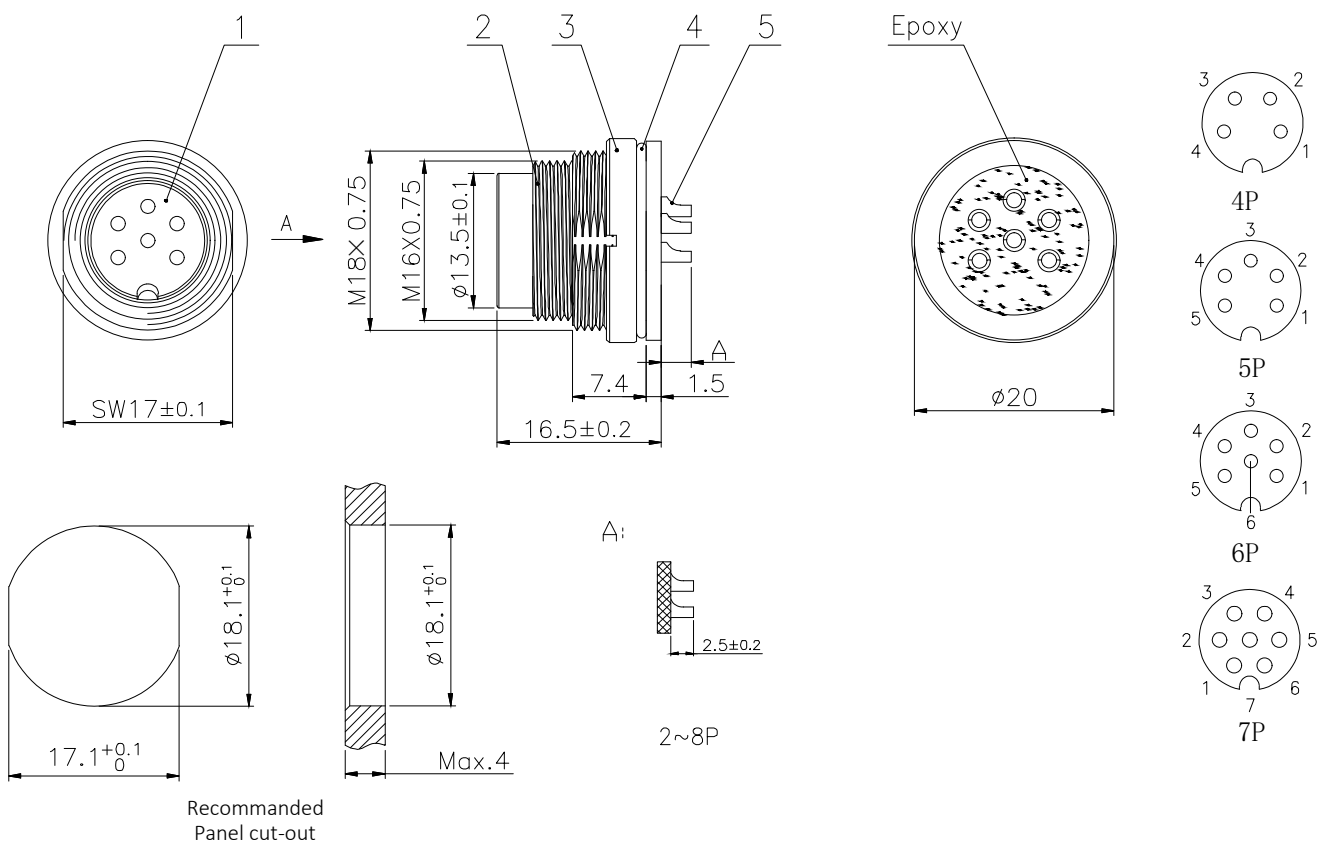
General Specification

Connector Locking	Screw
Termination	Solder
Temperature Range	-20 ... 80 °C
Mating Cycles	> 500
Degree of Protection	IP67

Material Specification

1 - M16 Insert	PA, Black
2 - M16 Male Body	Nickel Plated
3 - Screw Nut	Brass, Nickel Plated
4 - O-Ring	Rubber, Black
5 - Pin	Brass, Gold-Plated

Drawing & Pin Layout



M16 Male Straight Connector, Assembly



Accessories

RND 205-01435
M16 Protection Cap for Male connector

