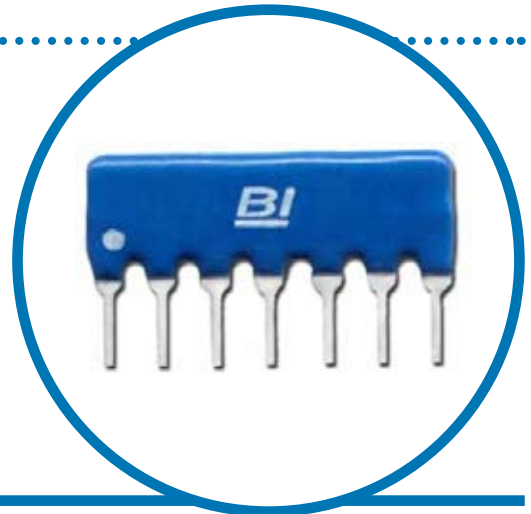


Single-In-Line Conformal Coated RoHS Compliant

D Series

- 4 to 14 Leads
- Standard and custom circuits
- Space saving design



Specification

| | |
|---------------------------------|---|
| Reverse Voltage, V_R | 80V |
| Reverse Current, I_R | 1.0 μ A ($V_R = 70V$) |
| Forward Current, I_F | 100mA Average, 300mA Surge (1 μ s Max.) |
| Forward Voltage, V_F | 1.2V @ $I_F = 100mA$ |
| Package Power, P_{PKG} | 200mW @ 25°C |
| Reverse Recovery Time, t_{rr} | 4ns ($V_R = 6V$, $I_F = 5mA$, $R_L = 50\Omega$) |
| Capacitance, C | 5.5pF ($V_R = 6V$, $f = 1MHz$) |
| Storage Temperature Range | - 55°C to 125°C |
| Operating Temperature Range | - 25°C to 80°C |

General Note

TT electronics reserves the right to make changes in product specification without notice or liability. All information is subject to TT electronics' own data and is considered accurate at time of going to print.

Specification

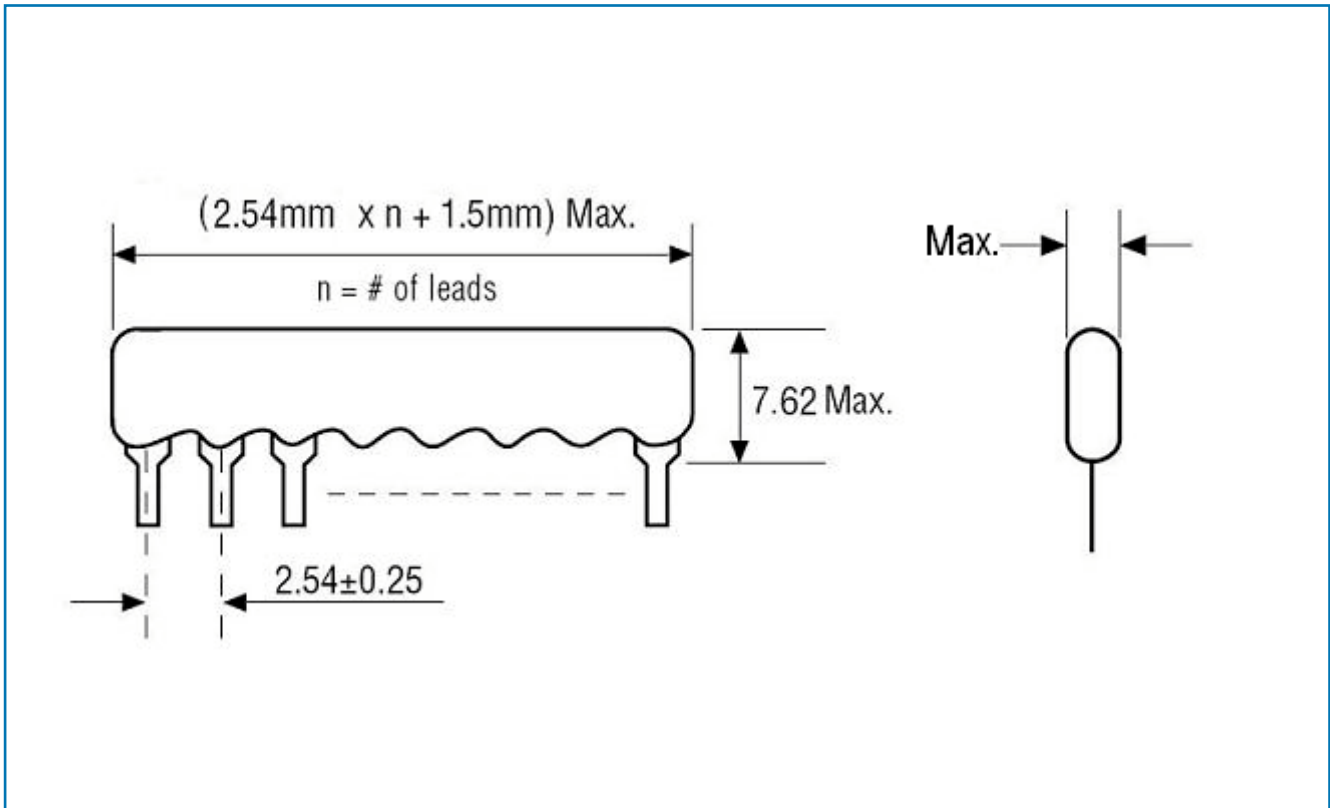
| Circuit Type | Polarity "A" | Polarity "C" |
|---------------------------------------|--------------|--------------|
| <p>1 N = 4 to 14</p> | | |
| <p>2 N = 3 to 13 (Odd #)</p> | | |
| <p>3 N = 4 to 14 (Even #)</p> | | |
| <p>5 N = 4 to 14</p> | | |

General Note

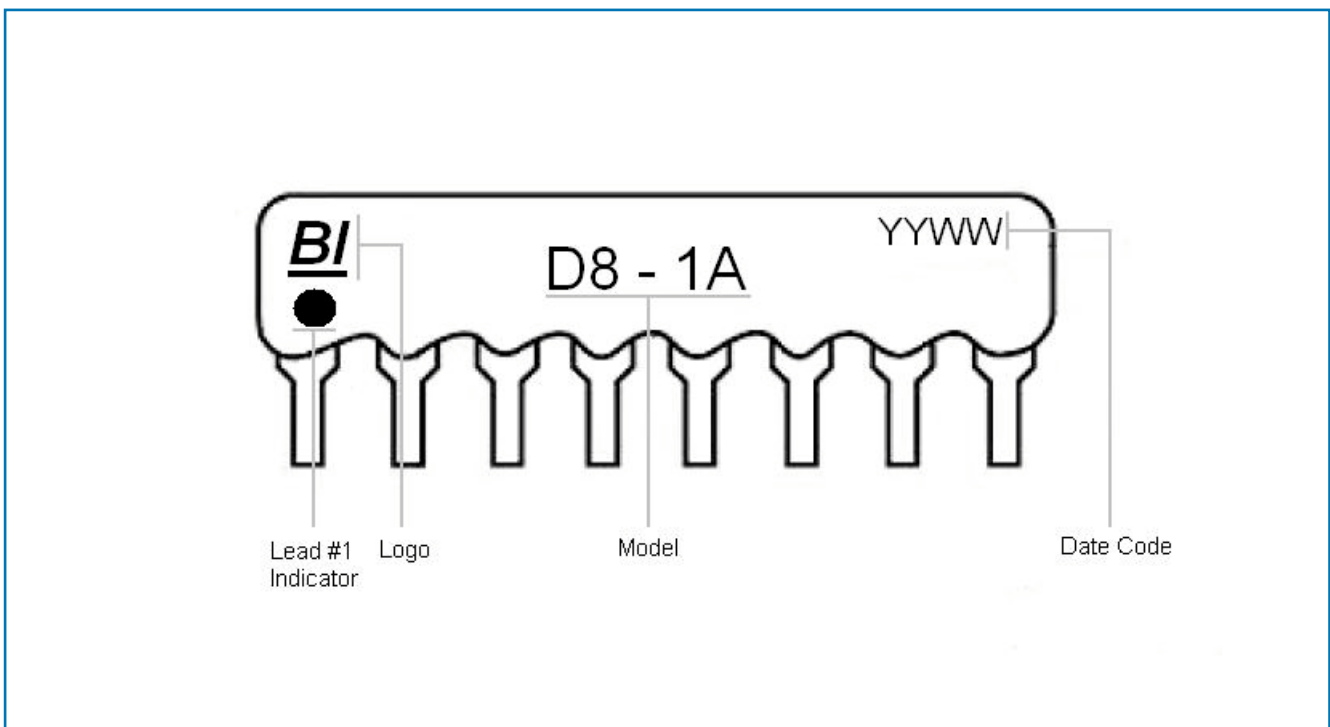
TT electronics reserves the right to make changes in product specification without notice or liability. All information is subject to TT electronics' own data and is considered accurate at time of going to print.



Outline Dimensions (Inch/mm)



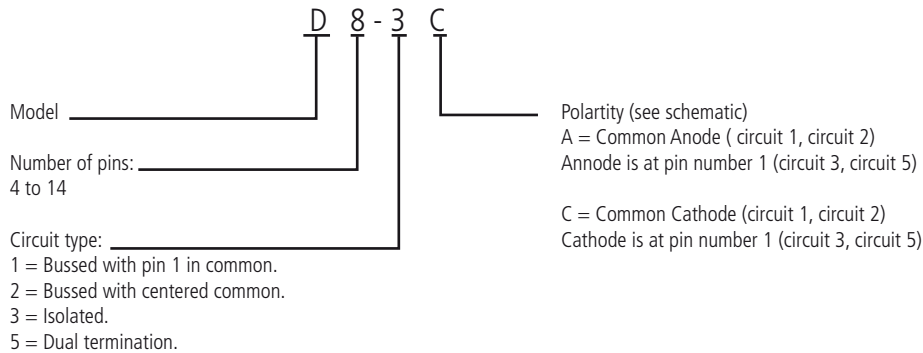
Typical Part Marking



General Note

TT electronics reserves the right to make changes in product specification without notice or liability. All information is subject to TT electronics' own data and is considered accurate at time of going to print.

Ordering Information



Material

| Part | Material |
|------------------------------|---|
| Substrate | Alumina ceramic |
| Diode | Small mold package silicon epitaxial planar diode array |
| Termination | 100% Ag |
| Lead Pins | 100% Sn Plated steel |
| Junction and Lead Pin finish | 96%Sn, 3.5%Ag, 0.5%Cu |
| Conformal Coat | Epoxy resin, UL-94 V-0 rated |

Packaging

| Number of pins | Qty. per plastic bag | Qty. per box |
|----------------|----------------------|--------------|
| 3 to 6 | 100 | 1000 |
| 7 to 12 | 100 | 500 |
| 13 to 14 | 50 | 250 |

General Note

TT electronics reserves the right to make changes in product specification without notice or liability.
All information is subject to TT electronics' own data and is considered accurate at time of going to print.