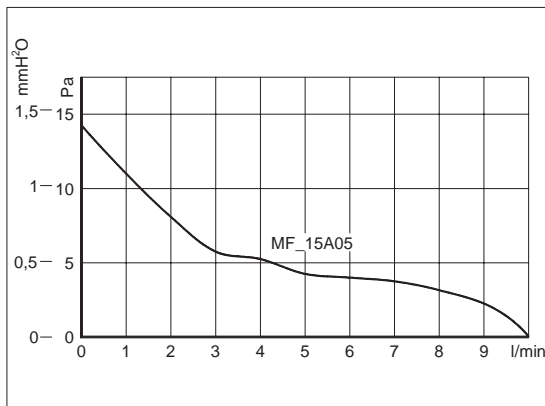


MF_15A05

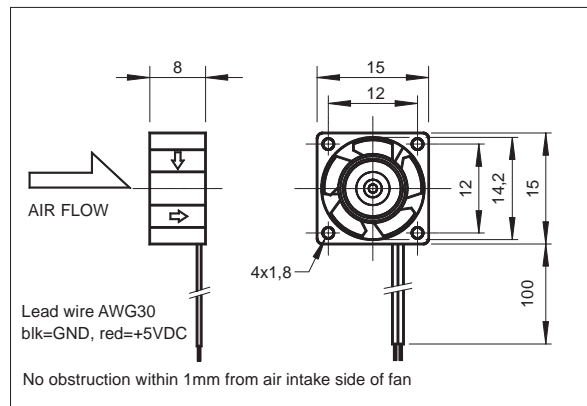
BRUSHLESS, HIGH RELIABILITY FAN



AIR PERFORMANCE



SHAPE AND DIMENSION



PERFORMANCE

CE		MF_15A05
Operating Voltage	[V]	4.5 ... 5 ... 5.5
Operating Current	[mA]	80
Max. Start Current	[mA]	200
Max. Air Flow	[l/min - m ³ /h]	10 - 0.6
Max. Air Pressure	[mmH ₂ O - Pa]	1.5 - 15
Typ. Noise @ 1m	[dB(A)]	10
Rotor Speed	[RPM]	11000
Operating Temperature	[°C]	-10 ... +60
Life Expectancy L ₁₀ /MTBF	[h]	50000/140000@20°C
Bearing System		sleeve bearing
Weight	[g]	2
Packing Quantity	[PCs]	50 - 100 - 500 - 1000

This **SEPA**[®] high-tech miniature fan is suitable for industrial use and has a remarkable air flow performance despite its small dimensions. Thanks to the extremely low power input of a mere 0.4 W, this fan is highly suitable for battery-operated devices. It is permanently protected electrically against reverse polarity, blocking and thermal overloading. Due to the very low rotor weight and precision balancing, it is virtually vibration-free. It is also insensitive to shock.

Further features of this fan are its extremely robust and torsionally rigid plastic housing of PBT (UL E54695), dual sleeve bearing with narrow tolerances, glass epoxy PCB (UL E44247) and absolute reliability due to a 12 hour-duty 100% burn-in.

Technical changes without notice • 05/07