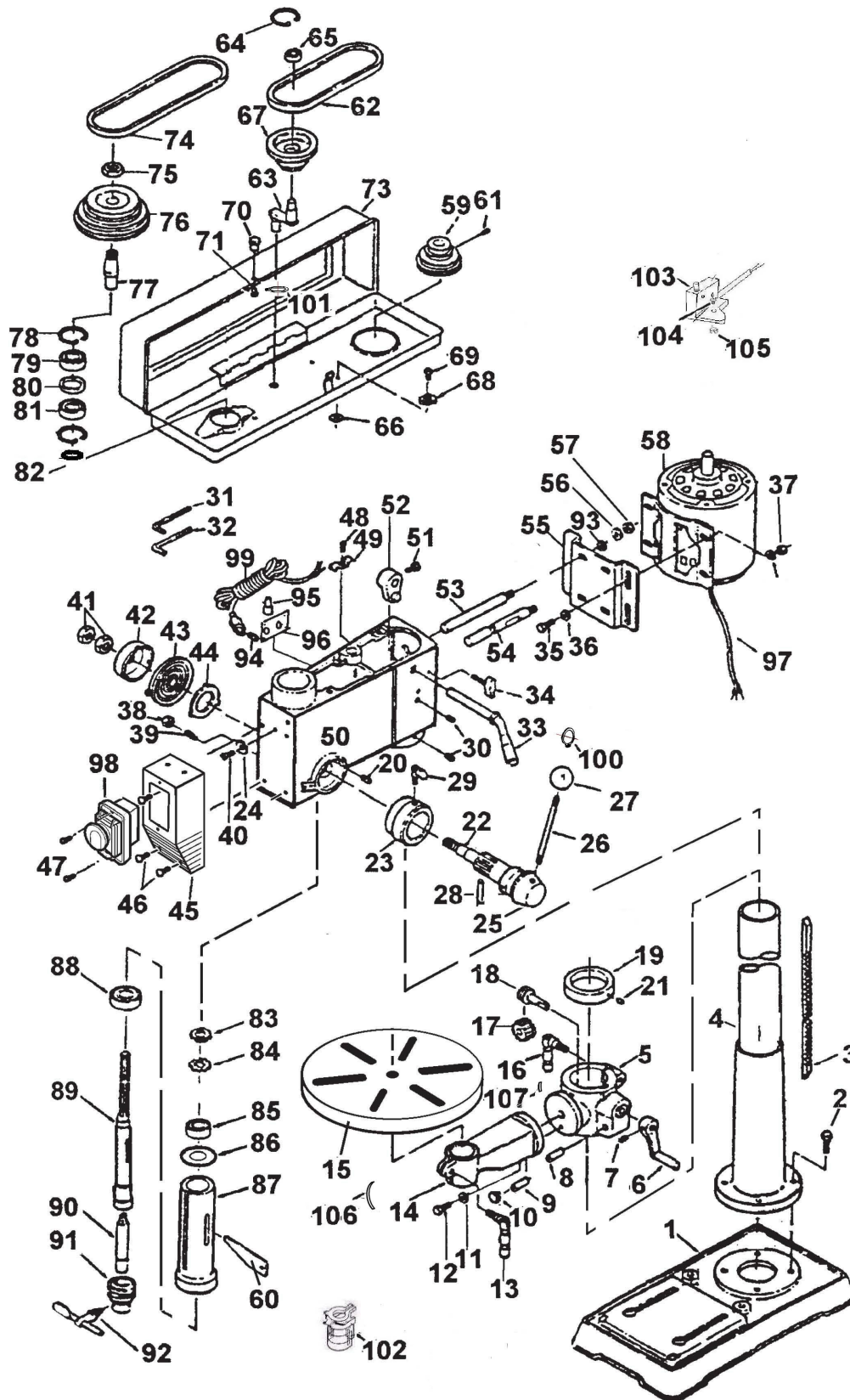


Parts Information:
Pillar Drill Bench/Floor 16-Speed
Model No: GDM150B.V2 /
GDM180B.V2 / GDM200F.V2



NOTE: It is our policy to continually improve products and as such we reserve the right to alter data, specifications and component parts without prior notice.

IMPORTANT: No liability is accepted for incorrect use of product.

WARRANTY: Guarantee is 12 months from purchase date, proof of which will be required for any claim.



Parts Information:
Pillar Drill Bench/Floor 16-Speed
Model No: GDM150B.V2 /
GDM180B.V2 / GDM200F.V2

Item	Part No.	Description
1	GDM200FX/001	BASE
1	GDM180BX/001	BASE (GDM180B only)
2	SS1040.S	HEX HEAD SET SCREW M10x40mm SINGLE
3	GDM150BX/003	RACK (GDM150B only)
3	GDM180BX/003	RACK (GDM180B only)
3	GDM200FX/003	RACK (GDM200B only)
4	GDM180BX/004	COLUMN (80mm X 840mm)
4	GDM200FX/004	COLUMN (GDM200B only)
5	GDM200FX/005	TABLE ARM BRACKET
6	GDM92B/12	HANDLE
7	GSM610.S	GRUB SCREW M6x10 (SINGLE)
8	GDM200FX/008	SHAFT
9	GDM92B/80	PIN
10	SN6.S	STEEL NUT M6 ZINC DIN934 (SINGLE)
11	FWM10.S	FLAT WASHER M10 SINGLE
12	SCB1230.SB	SOCKET CAP BOLT BLACK M12X30
13	GDM92B/15A	TABLE BOLT
14	GDM200FX/014	TABLE ARM
14	GDM180BX/014	TABLE ARM (GDM180B only)
15	GDM160FX/015	TABLE
15	GDM180BX/015	TABLE (GDM180B only)
16	GDM160FX/016	CLAMP BOLT
17	GDM200FX/017	GEAR 14T 31.9MM DIA X 18.2MM THICK
18	GDM200FX/018	WORM GEAR
19	GDM200FX/019	RACK RING
20	GDM160FX/020	PIN STOP
21	GDM92B/05	HEADLESS SET SCREW
22	GDM200FX/022	FEED SHAFT
23	GDM200FX/023	SCALE RING
24	GDM200FX/024	WASHER
26	GDM200FX/026	HANDLE
27	GDM200FX/027	KNOB
28	GDM160FX/028	ROLL PIN
29	GDM92B/29	CLAMP BOLT
30	GDM160FX/030	SET SCREW
31	GDM92B/37	HEX KEY
32	GDM92B/38	HEX KEY
33	GDM200FX/033	SHIFTER BAR
34	GDM160FX/034	SLIDE BAR BOLT
35	SS830.S	HEX HEAD SET SCREW M8x30mm SINGLE
36	GDM92B/56	WASHER
37	SN8.S	STEEL NUT M8 ZINC DIN934 (SINGLE)
38	SN10.S	STEEL NUT M10 ZINC DIN934(SINGLE)

Item	Part No.	Description
39	GDM160FX/039	SET SCREW
40	MSP510.S	MACHINE SCREW PAN HEAD PHILLIPS M5x10mm (SINGLE)
41	GDM92B/47	M12 X 1.5 FINE PITCH HALF NUT
42	GDM160FX/042	SPRING CAP
43	GDM160FX/043	TORSION SPRING
44	GDM160FX/044	SPRING COVER
45	GDM200FX/045	SWITCH BOX
46	SCB1230.SB	SOCKET CAP BOLT BLACK M12X30
47	GDM92B/49	SCREW 6 X 1/2" AB PAN SELF TAP SUPADRIVE BZP
48	MSP410.S	MACHINE SCREW PAN HEAD PHILLIPS M4x10mm (SINGLE)
49	GDM92B/51	WIRE CLAMP
50	GDM200FX/050	BODY
50	GDM180BX/050	BODY (GDM180B only)
51	SS815.S	HEX HEAD SET SCREW M8x15mm SINGLE
52	GDM160FX/052	SHIFTER
53	GDM160FX/053	SLIDE BAR
54	GDM160FX/054	SLIDE BAR
55	GDM200FX/055	MOTOR BASE
56	GDM92B/56	WASHER
57	SN8.S	STEEL NUT M8 ZINC DIN934 (SINGLE)
58	GDM200FX/058	MOTOR
58	GDM180BX/058	MOTOR (GDM180B only)
59	GDM200FX/059	MOTOR PULLEY
59	GDM180BX/059	MOTOR PULLEY (GDM180B only)
60	GDM92B/79	WEDGE
61	GDM92B/60	HEADLESS SET SCREW
62	V/M24	V-BELT (ID-600) M24
63	GDM200FX/063	CENTRE SHAFT
64	GDM160FX/064	CIRCLIP
65	B/6202-2RS	BEARING 6202-2RS
66	GDM160FX/066	RUBBER WASHER
67	GDM200FX/067	CENTRE PULLEY
67	GDM180BX/067	CENTRE PULLEY(12 SPEED) (GDM180B only)
--	GDM180BX/067A	CENTRE PULLEY(16 SPEED)(GDM180B only)
68	FWM6.S	FLAT WASHER M6 SINGLE
69	MSP612.S	MACHINE SCREW PAN HEAD PHILLIPS M6x12mm (SINGLE)
70	GDM50BX/017	PHILLIPS BOLT M5X12
71	FWM5.S	FLAT WASHER M5 SINGLE
73	GDM200FX/073	PULLEY COVER
73	GDM180BX/073	PULLEY COVER (GDM180B only)

NOTE: It is our policy to continually improve products and as such we reserve the right to alter data, specifications and component parts without prior notice.

IMPORTANT: No liability is accepted for incorrect use of product.

WARRANTY: Guarantee is 12 months from purchase date, proof of which will be required for any claim.

Sealey Group, Kempson Way, Suffolk Business Park, Bury St Edmunds, Suffolk. IP32 7AR



01284 757500



01284 703534



sales@sealey.co.uk



www.sealey.co.uk



Parts Information:
Pillar Drill Bench/Floor 16-Speed
Model No: GDM150B.V2 /
GDM180B.V2 / GDM200F.V2

Item	Part No.	Description
74	V/M25	V-BELT (ID-630) M25
74	V/M27	V-BELT (ID-670) M27 (GDM180B only)
75	GDM200FX/075	PULLEY NUT
76	GDM200FX/076	SPINDLE PULLEY
77	GDM200FX/077	PULLEY INSERT
78	GDM200FX/078	CIRCLIP
79	B/6205-2RS	BEARING 6205-2RS
80	GDM200FX/080	SPACER
80	GDM180BX/080	SPACER (GDM180B only)
81	B/6205-2RS	BEARING 6205-2RS
82	GDM200FX/082	CIRCLIP
82	GDM180BX/082	CIRCLIP (GDM180B only)
83	GDM200FX/083	NUT
83	GDM180BX/083	NUT (GDM180B only)
84	GDM200FX/084	WASHER WITH 11 TABS
85	B/6205-2RS	BEARING 6205-2RS
85	B/6204ZZ	BEARING 6204ZZ (GDM180B only)
86	GDM200FX/086	RUBBER WASHER
86	GDM180BX/086	WASHER RUBBER BLACK M50 (GDM180B only)
87	GDM200FX/087	SPINDLE SLEEVE
87	GDM180BX/087	SPINDLE SLEEVE (GDM180B only)
88	B/6203-2RS	BEARING 6203-2RS
89	GDM200FX/089	SPINDLE
89	GDM180BX/089	SPINDLE (GDM180B only)
90	GDM200FX/090	ARBOR
90	GDM180BX/090	ARBOR (S) (GDM180B only)
91	GDM92B/20	CHUCK B16 3-16mm
91	GDM180BX/091	CHUCK B22 5-20mm (GDM180B only)

Item	Part No.	Description
92	GDM92B/44	CHUCK KEY
93	GDM160FX/093	WASHER
94	MSP512.S	MACHINE SCREW PAN HEAD PHILLIPS M5x12mm (SINGLE)
95	GDM160FX/095	WIRE CONNECTOR
96	GDM160FX/096	COVER
97	GDM160FX/097	WIRE
98	GDM92B/50	SWITCH (FRONT MOUNT WITH EMERGENCY STOP)
99	GDM200FX/099	PLUG
99	GDM180BX/099	PLUG (GDM180B only)
100	GDM200FX.100	C-CLIP
101	GDM200FX.101	C-CLIP
102	DPG99	DRILL PRESS GUARD 60mm
103	GDM200FX.103	MICRO SWITCH ASSEMBLY
104	GDM200FX.104	SCREW M6x12
105	GDM200FX.105	NUT
106	GDM200FX.106	ANGLE RULE
107	GDM200FX.107	ZERO RULE
--	DPG99	DRILL PRESS GAURD 60MM (NOT SHOWN)
--	DPG230	DRILL PRESS GUARD 75mm (GDM180B only)

NOTE: It is our policy to continually improve products and as such we reserve the right to alter data, specifications and component parts without prior notice.

IMPORTANT: No liability is accepted for incorrect use of product.

WARRANTY: Guarantee is 12 months from purchase date, proof of which will be required for any claim.

Sealey Group, Kempson Way, Suffolk Business Park, Bury St Edmunds, Suffolk. IP32 7AR



01284 757500



01284 703534



sales@sealey.co.uk



www.sealey.co.uk