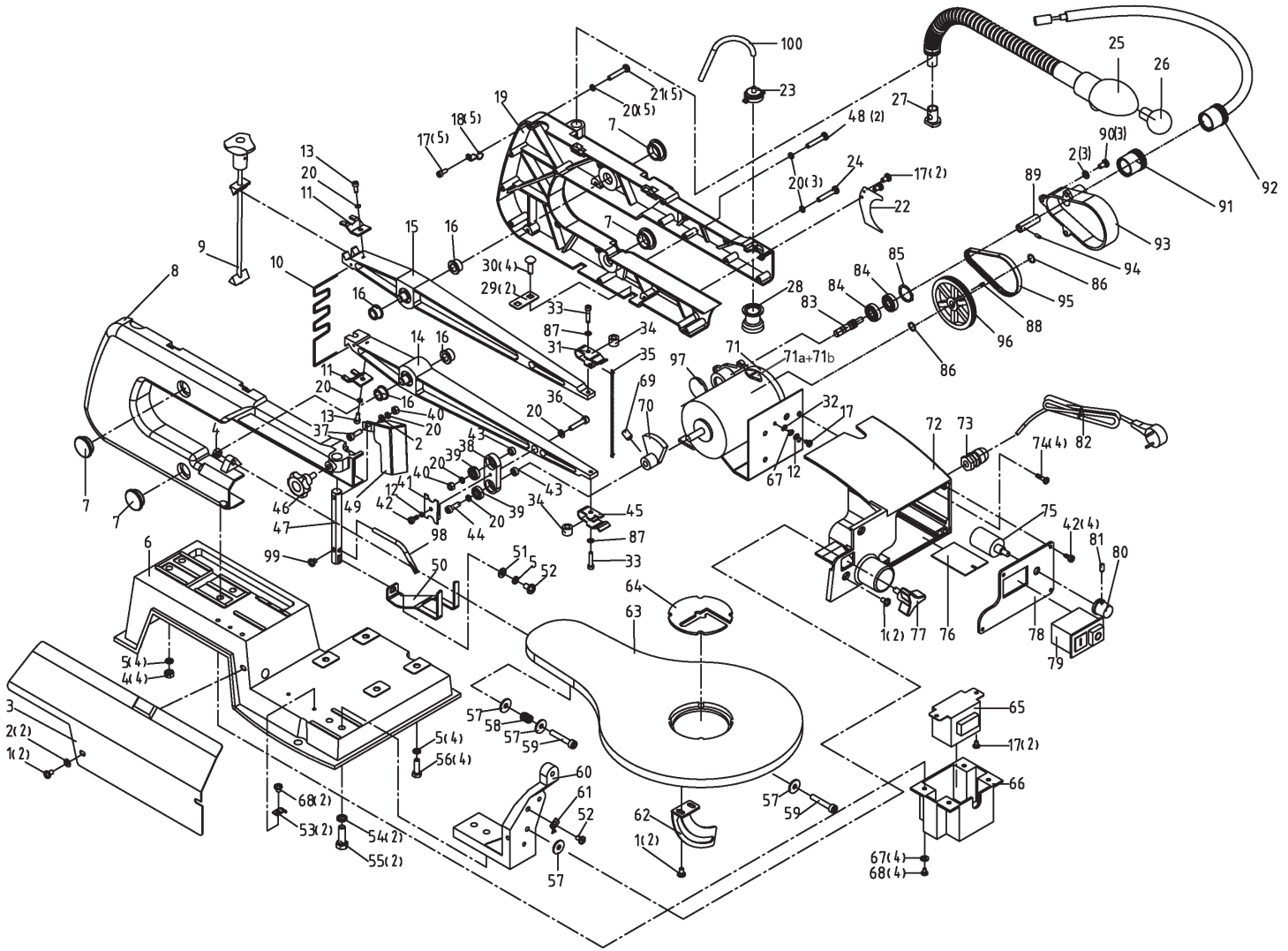


230V 405MM
SCROLL SAW
WITH FLEXIBLE DRIVE SHAFT
 22791 - FS405V SPARE PARTS DRAWING



| KEY No. | PART No. | STOCK No. | DESCRIPTION |
|---------|------------|-----------|------------------------|
| 1 | YFS405V-01 | 29398 | Screw |
| 2 | YFS405V-02 | 29399 | Washer |
| 3 | YFS405V-03 | 29400 | Side panel |
| 4 | YFS405V-04 | 29401 | Nut |
| 5 | YFS405V-05 | 29402 | Spring washer |
| 6 | YFS405V-06 | 29403 | Base |
| 7 | YFS405V-07 | 29404 | Oil cap |
| 8 | YFS405V-08 | 29405 | Left arm cover |
| 9 | YFS405V-09 | 29411 | Blade tension assembly |
| 10 | YFS405V-10 | 29459 | Spring |
| 11 | YFS405V-11 | 29460 | Pressure plate |

| KEY No. | PART No. | STOCK No. | DESCRIPTION |
|---------|------------|-----------|-----------------|
| 12 | YFS405V-12 | 29461 | Spring washer |
| 13 | YFS405V-13 | 29462 | Screw |
| 14 | YFS405V-14 | 29463 | Lower arm |
| 15 | YFS405V-15 | 29464 | Upper arm |
| 16 | YFS405V-16 | 29465 | Bearing |
| 17 | YFS405V-17 | 29466 | Screw |
| 18 | YFS405V-18 | 29467 | Clip |
| 19 | YFS405V-19 | 29468 | Right arm cover |
| 20 | YFS405V-20 | 29469 | Spring washer |
| 21 | YFS405V-21 | 29470 | Screw |
| 22 | YFS405V-22 | 29471 | Screw |



230V 405MM

**SCROLL SAW
WITH FLEXIBLE DRIVE SHAFT**

22791 - FS405V SPARE PARTS DRAWING

| KEY No. | PART No. | STOCK No. | DESCRIPTION |
|---------|------------|-----------|-------------------|
| 23 | YFS405V-23 | 29472 | Bellows lock |
| 24 | YFS405V-24 | 29473 | Screw |
| 25 | YFS405V-25 | 29474 | Lamp assembly |
| 26 | YFS405V-26 | 29475 | Bulb |
| 27 | YFS405V-27 | 29476 | Nut |
| 28 | YFS405V-28 | 29477 | Bellows |
| 29 | YFS405V-29 | 29478 | Plate |
| 30 | YFS405V-30 | 29479 | Screw |
| 31 | YFS405V-31 | 29480 | Upper blade guide |
| 32 | YFS405V-32 | 29481 | Washer |
| 33 | YFS405V-33 | 29482 | Screw |
| 34 | YFS405V-34 | 29483 | Cushion |
| 35 | YFS405V-35 | - | Blades |
| 36 | YFS405V-36 | 29488 | Screw |
| 37 | YFS405V-37 | 29489 | Screw |
| 38 | YFS405V-38 | 29490 | Connector |
| 39 | YFS405V-39 | 29491 | Ball bearing |
| 40 | YFS405V-40 | 29492 | Nut |
| 41 | YFS405V-41 | 29493 | Plate |
| 42 | YFS405V-42 | 29494 | Screw |
| 43 | YFS405V-43 | 29508 | Cushion |
| 44 | YFS405V-44 | 29509 | Screw |
| 45 | YFS405V-45 | 29510 | Lower blade guide |
| 46 | YFS405V-46 | 29511 | Locking nut |
| 47 | YFS405V-47 | 29512 | Shaft |
| 48 | YFS405V-48 | 29513 | Screw |
| 49 | YFS405V-49 | 29514 | Cover |
| 50 | YFS405V-50 | 29515 | Drop foot |
| 51 | YFS405V-51 | 29516 | Washer |
| 52 | YFS405V-52 | 29535 | Screw |
| 53 | YFS405V-53 | 29551 | Plate |
| 54 | YFS405V-54 | 29553 | Spring washer |
| 55 | YFS405V-55 | 29554 | Screw |
| 56 | YFS405V-56 | 29555 | Screw |
| 57 | YFS405V-57 | 29556 | Washer |
| 58 | YFS405V-58 | 29569 | Spring |
| 59 | YFS405V-59 | 29585 | Screw |
| 60 | YFS405V-60 | 29592 | Table bracket |
| 61 | YFS405V-61 | 29600 | Pointer |
| 62 | YFS405V-62 | 29618 | Table arm |

| KEY No. | PART No. | STOCK No. | DESCRIPTION |
|---------|-------------|-----------|--------------------------|
| 63 | YFS405V-63 | 29642 | Table |
| 64 | YFS405V-64 | 29651 | Table insert |
| 65 | YFS405V-65 | 29652 | Transformer |
| 66 | YFS405V-66 | 29653 | Transformer box |
| 67 | YFS405V-67 | 29654 | Washer |
| 68 | YFS405V-68 | 29655 | Screw |
| 69 | YFS405V-69 | 29656 | Screw |
| 70 | YFS405V-70 | 29657 | Pulley |
| 71 | YFS405V-71 | 29658 | Motor |
| 71a | YFS405V-71a | 15230 | Brush holder cap |
| 71b | YFS405V-71b | 15232 | Carbon brush |
| 72 | YFS405V-72 | 29659 | Switch box |
| 73 | YFS405V-73 | 29660 | Power cord connector |
| 74 | YFS405V-74 | 29663 | Screw |
| 75 | YFS405V-75 | 29664 | Variable speed regulator |
| 76 | YFS405V-76 | 29665 | Circuit board |
| 77 | YFS405V-77 | 29666 | Locking nut |
| 78 | YFS405V-78 | 29667 | Switch box cover |
| 79 | YFS405V-79 | 29668 | On/off switch |
| 80 | YFS405V-80 | 29670 | Variable speed dial |
| 81 | YFS405V-81 | 29671 | Screw |
| 82 | YFS405V-82 | 29672 | Plug and cable |
| 83 | YFS405V-83 | 29673 | Shaft |
| 84 | YFS405V-84 | 29674 | Bearing |
| 85 | YFS405V-85 | 29698 | Retaining ring |
| 86 | YFS405V-86 | 29704 | Retaining ring |
| 87 | YFS405V-87 | 29709 | O-ring |
| 88 | YFS405V-88 | 29836 | Axle |
| 89 | YFS405V-89 | 29837 | Sleeve |
| 90 | YFS405V-90 | 29838 | Screw |
| 91 | YFS405V-91 | 29839 | Safety cap |
| 92 | YFS405V-92 | 29866 | Flexible shaft |
| 93 | YFS405V-93 | 29942 | Belt cover |
| 94 | YFS405V-94 | 29943 | Pin |
| 95 | YFS405V-95 | 30040 | Timing belt |
| 96 | YFS405V-96 | 30041 | Pulley |
| 97 | YFS405V-97 | 30042 | Shield |
| 98 | YFS405V-98 | 30043 | Air hose |
| 99 | YFS405V-99 | 30044 | Screw |
| 100 | YFS405V-100 | 30045 | Tube |

Helpline: +44 (0) 23 8049 4344 Sales Desk: +44 (0) 23 8049 4333 General Enquiries: +44 (0) 23 8026 6355 internet: drapertools.com email: sales@drapertools.com