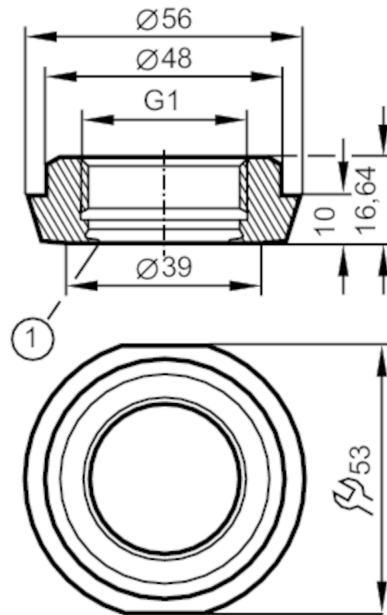


E33712



Process adapter hygienic pipe fitting

ADAPT IFM-DIN11851 DN40/1.5"



1 sealing edge

EC 1935/2004 FCM 

Application

Pressure rating [bar] 40

Tests / approvals

Pressure Equipment Directive

A possible classification to PED depends on the application and has to be carried out by the user / operator.

Safety instructions

The compatibility between medium and product material has to be checked in all applications.

Mechanical data

Weight [g] 199

Materials stainless steel (1.4435 / 316L)

Sensor connection G 1 external thread Aseptoflex Vario

Process connection hygienic pipe fitting DN40 (1,5") DIN 11851

Surface characteristics Ra/Rz of the wetted parts 0.4 / 4

Sealing metal to metal

Hygienic equipment class to DIN 11866 H4

Remarks

Pack quantity 1 pcs.