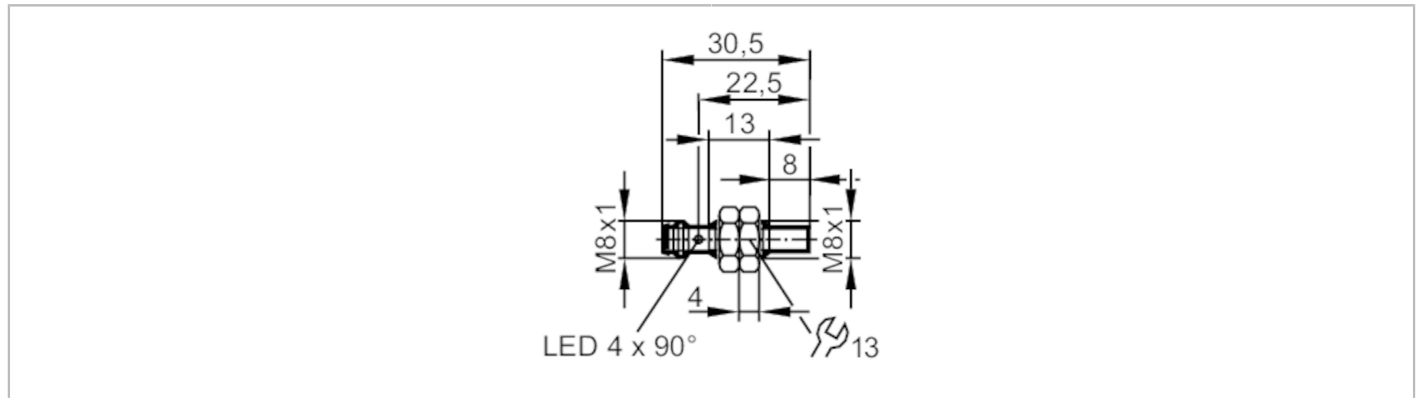


IE5367



Inductive sensor

IEB3004-BPKG/V4A/AS



Product characteristics	
Electrical design	PNP
Output function	normally open
Sensing range [mm]	4
Housing	threaded type
Dimensions [mm]	M8 x 1 / L = 30.5
Electrical data	
Operating voltage [V]	10...30 DC; (to PELV)
Current consumption [mA]	15; (24 V)
Protection class	III
Reverse polarity protection	yes
Outputs	
Electrical design	PNP
Output function	normally open
Max. voltage drop switching output DC [V]	2.5
Permanent current rating of switching output DC [mA]	100
Switching frequency DC [Hz]	800
Short-circuit protection	yes
Type of short-circuit protection	pulsed
Overload protection	yes
Detection zone	
Sensing range [mm]	4
Real sensing range Sr [mm]	4 ± 10 %
Operating distance [mm]	0...3.25
Accuracy / deviations	
Correction factor	steel: 1 / stainless steel: 0.7 / brass: 0.5 / aluminium: 0.4 / copper: 0.3
Hysteresis [% of Sr]	1...20
Switch point drift [% of Sr]	-10...10

IE5367



Inductive sensor

IEB3004-BPKG/V4A/AS

Operating conditions

Ambient temperature	[°C]	-20...70
Protection		IP 65; IP 67; (with ifm socket duly screwed on)

Tests / approvals

EMC	EN 55011 emission	class B
	EN 60947-5-2	
	EN 61000-4-2 ESD	4 kV CD / 8 kV AD
	EN 61000-4-3 HF radiated	10 V/m
	EN 61000-4-4 Burst	2 kV
	EN 61000-4-5 Surge	0,5 kV line to line, Ri: 2 Ohm
	EN 61000-4-6 HF conducted	10 V
MTTF	[years]	1809
UL approval	Ta	-20...70 °C
	Enclosure type	Type 1
	voltage supply	Class 2
	File number UL	E174191

Mechanical data

Weight	[g]	14.7
Housing		threaded type
Mounting		non-flush mountable
Dimensions	[mm]	M8 x 1 / L = 30.5
Thread designation		M8 x 1
Materials		housing: stainless steel; cover: LCP orange; lock nuts: stainless steel
Tightening torque	[Nm]	A = 5 mm: ≤ 2 Nm; B: ≤ 6 Nm

Displays / operating elements

Display	switching status	4 x 90° LED, yellow
---------	------------------	---------------------

Accessories

Accessories (supplied)	lock nuts: 2
------------------------	--------------

Remarks

Pack quantity	1 pcs.
---------------	--------

Electrical connection - plug

Connector: 1 x M8

The diagram shows a circular connector with four pins. Pin 4 is at the top, pin 1 is at the bottom left, and pin 3 is at the bottom right. Pin 2 is not explicitly labeled but is located between pins 1 and 3.

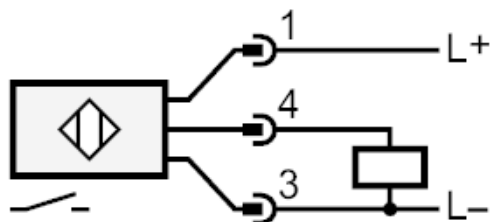
IE5367



Inductive sensor

IEB3004-BPKG/V4A/AS

Connection



Diagrams and graphs

Installation

