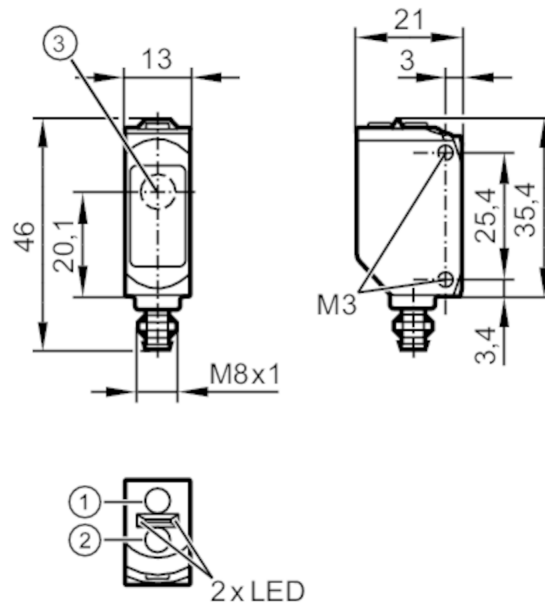


O6E702



Through-beam sensor receiver

O6ELFPKG/AS/4P



- 1 programming button
- 2 Light incidence



Product characteristics

Type of light	red light
Communication interface	IO-Link
Laser protection class	1
Housing	rectangular
Dimensions [mm]	46 x 13 x 21

Application

Function principle	Through-beam sensor
--------------------	---------------------

Electrical data

Operating voltage [V]	10...30 DC
Current consumption [mA]	13; (24 V)
Protection class	III
Reverse polarity protection	yes
Type of light	red light
Wave length [nm]	650



Through-beam sensor receiver

O6ELFPKG/AS/4P

Outputs		
Electrical design	PNP	
Output function	light-on/dark-on mode; (selectable)	
Max. voltage drop switching output DC [V]	2.5	
Permanent current rating of switching output DC [mA]	100	
Switching frequency DC [Hz]	1000	
Type of short-circuit protection	pulsed	
Detection zone		
Transmitter / receiver	receiver	
Range [m]	15	
Diameter of the smallest detectable object [mm]	7; (15 m)	
Interfaces		
Communication interface	IO-Link	
Transmission type	COM2 (38,4 kBaud)	
IO-Link revision	1.1	
SDCI standard	IEC 61131-9	
IO-Link device ID	524d / 00020C h	
Profiles	Smart Sensor: Device Identification; Device Diagnosis; Teach Channel; Switching Channel	
SIO mode	yes	
Required master port type	A	
Operating conditions		
Ambient temperature [°C]	-10...60	
Protection	IP 65; IP 67	
Tests / approvals		
EMC	EN 60947-5-2	
Laser protection class	1	
Notes on laser protection	Caution:	laser light
	laser class:	1
		EN / IEC60825-1:2007
		EN / IEC60825-1:2014
		Complies with 21 CFR 1040 except for deviations pursuant to Laser Notice No. 50, dated June 2007.
MTTF [years]	1168	
Mechanical data		
Weight [g]	18	
Housing	rectangular	
Dimensions [mm]	46 x 13 x 21	
Materials	housing: ABS; PPSU; Sealing: EPDM	
Lens material	PMMA	
Lens alignment	side lens	
Tightening torque [Nm]	0.5; (screws)	

O6E702



Through-beam sensor receiver

O6ELFPKG/AS/4P

Displays / operating elements

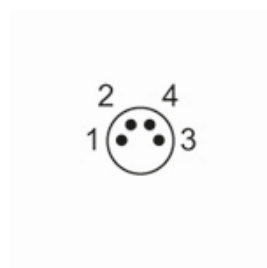
Display	switching status	1 x LED, yellow
	operation	1 x LED, green

Remarks

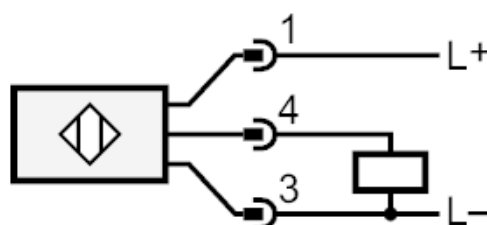
Remarks	operating voltage "supply class 2" according to cULus
Pack quantity	1 pcs.

Electrical connection

Connector: 1 x M8



Connection



4

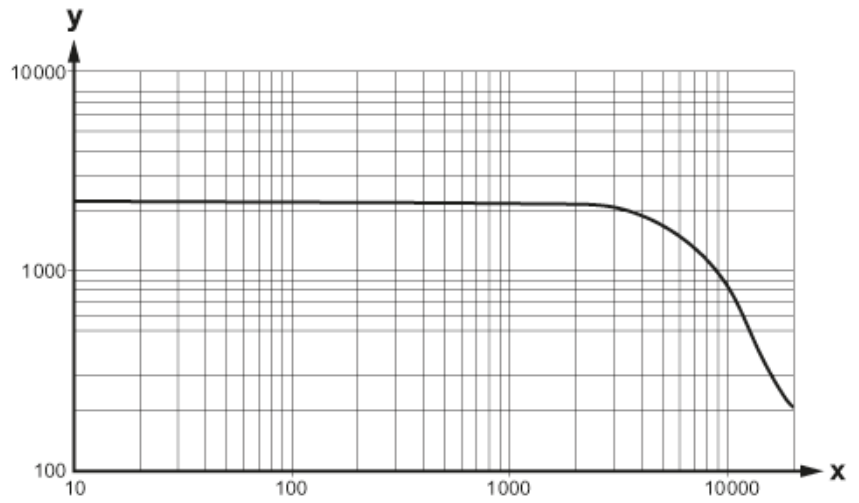
OUT / IO-Link



Through-beam sensor receiver

O6ELFPKG/AS/4P

Diagrams and graphs



x: Abstand [mm]

y: Funktionsreservefaktor