

MST 1-PHASE CONTROL AND ISOLATION TRANSFORMER

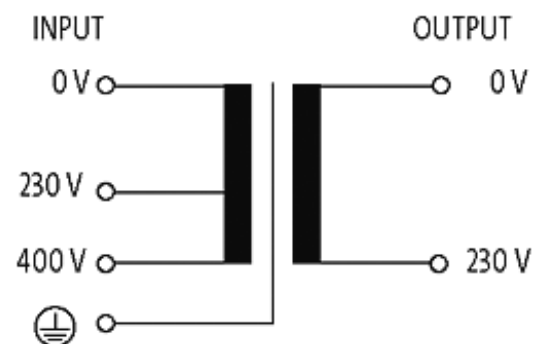
P: 800VA IN: 230/400VAC OUT: 230VAC

Single-phase - Control and Isolation Transformers
800 VA
Isolation class T 40/B

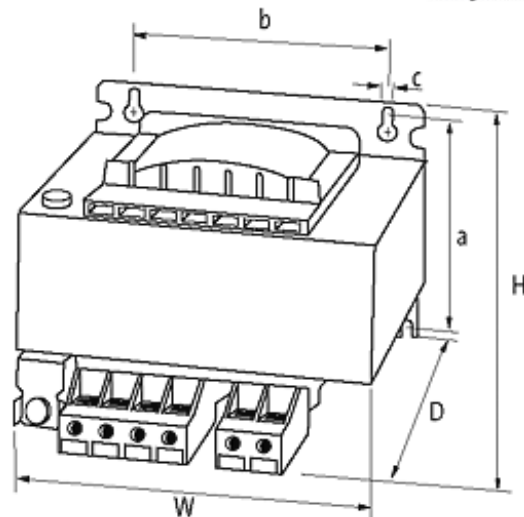
Other voltages on request.

[Link to Product](#)

Illustration



stay connected



Product may differ from Image

Approvals



Input

Input voltage	230/400 V AC
Frequency	50...60 Hz
Inrush current	50 A (230 V AC); 29 A (400 V AC)
Short-circuit current	118 A (230 V AC); 68 A (400 V AC)
Input current	3.5 A (230 V AC); 2 A (400 V AC)

General data

Standards	(EN 61558-1), (EN 61558-2-4), (EN 62041 category 0)
Test isolation voltage	4 kV (prim./sec.)
Mounting method	Key-hole mounting
Temperature range	-20...+40 °C, no condensation
Dimensions H x W x D	129.4x150x144.6 mm
Fixing centers a x b x c	107.5x122x7 mm
Drill hole Ø	7x11 mm

Output

Output voltage	230 V AC
----------------	----------

Commercial data

country of origin	CZ
customs tariff number	85043180
minimum order quantity	1