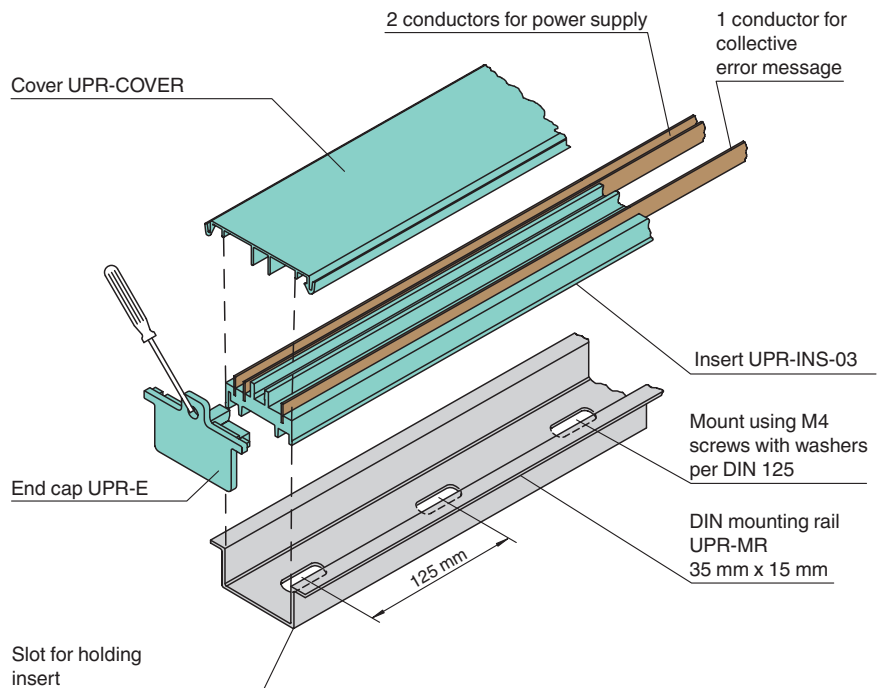


Universal Power Rail with end caps and cover, 3 conductors

Features

- 35 mm DIN mounting rail with 3-conductor insert
- Provides DC supply voltage to all equipped K-System modules
- Standard length 1.6 m (5 foot), simple to customize to application space
- Eliminates daisy-chains

Dimensions



Technical data

Electrical specifications

Rated voltage	U_n	24 V DC
Rated current	I_n	4 A

Ambient conditions

Ambient temperature	-20 ... 60 °C (-4 ... 140 °F)
---------------------	-------------------------------

Mechanical specifications

Dimensions	35 x 15 x 1600 mm (1.4 x 0.6 x 63 inch)
------------	---

Accessories

Designation	- end cap UPR-E - insulation spacer UPR-I - DIN mounting rail UPR-MR - insert UPR-INS-03 - cover UPR-COVER
-------------	--

Function

The Power Rail consists of a DIN mounting rail UPR-MR and a insert UPR-INS-03. The component has two conductors for power and one conductor for collective error messaging.

The component reduces wiring and maintenance costs because it eliminates the need to daisy-chain the wires. It also simplifies expansion – just snap in a new isolator when you're ready to expand a system.

The component comes in 1.6 m segments but can be cut to any size.

The Power Rail is delivered with two UPR-E end caps and UPR-COVER cover. All components of the Power Rail can be ordered separately.

In conjunction with K-System modules the component can be mounted in Zone 2.



Cover empty, open segments of the Power Rail. Use the supplied cover. Thereby Power Rail will be protected from pollution. The contact with electrically conductive parts on Power Rail will be prevented.

Release date 2016-06-20 14:35 Date of issue 2016-06-20 293523_eng.xml