

FRONT MOUNTED ROTARY OPERATOR STANDARD
WITH DOOR INTERLOCKING IEC IP30/40
ACCESSORY FOR: 3VA2 400/630



Figure similar

Model		
product brand name		SENTRON
Design of handle		Gray
Design of the door lock system		Door interlocking
Protection class IP		IP30

Product details		
Product component / axis extension		No
Product property / lockable		Yes
Height	mm	93.5
Depth	mm	106

General Product Approval	EMC	Declaration of Conformity	other
	other		other



[other](#)



[other](#)

Further information

Information- and Downloadcenter (Catalogs, Brochures,...)

<http://www.siemens.com/lowvoltage/catalogs>

Industry Mall (Online ordering system)

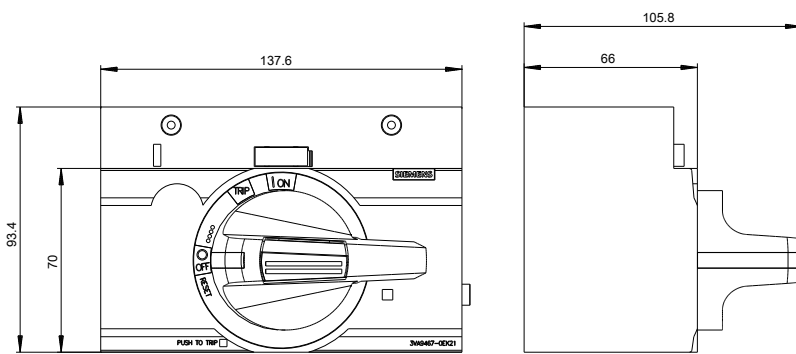
<https://eb.automation.siemens.com/mall/en/WW/Catalog/Product/3VA94670EK21>

Service&Support (Manuals, Certificates, Characteristics, FAQs,...)

<http://support.automation.siemens.com/WW/view/en/3VA94670EK21/all>

Image database (product images, 2D dimension drawings, 3D models, device circuit diagrams, ...)

http://www.automation.siemens.com/bilddb/cax_en.aspx?mfb=3VA94670EK21



last modified:

11.03.2015