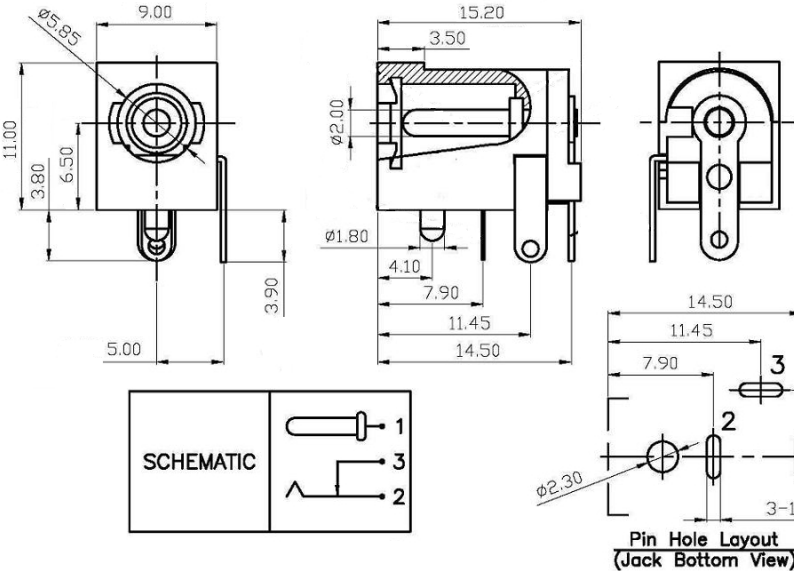
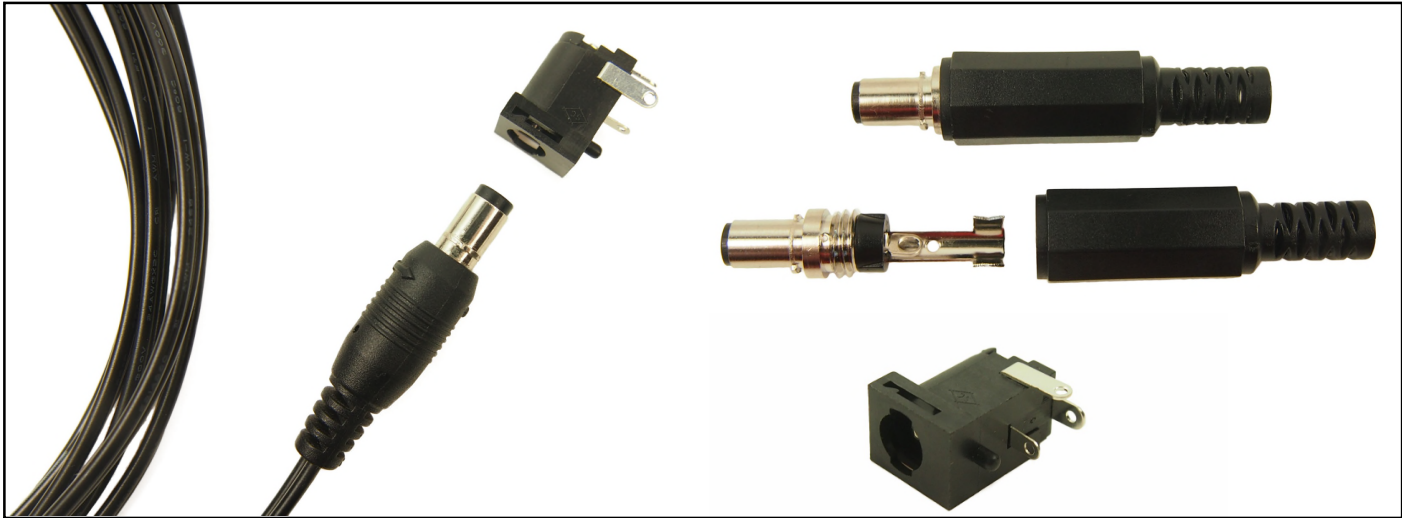


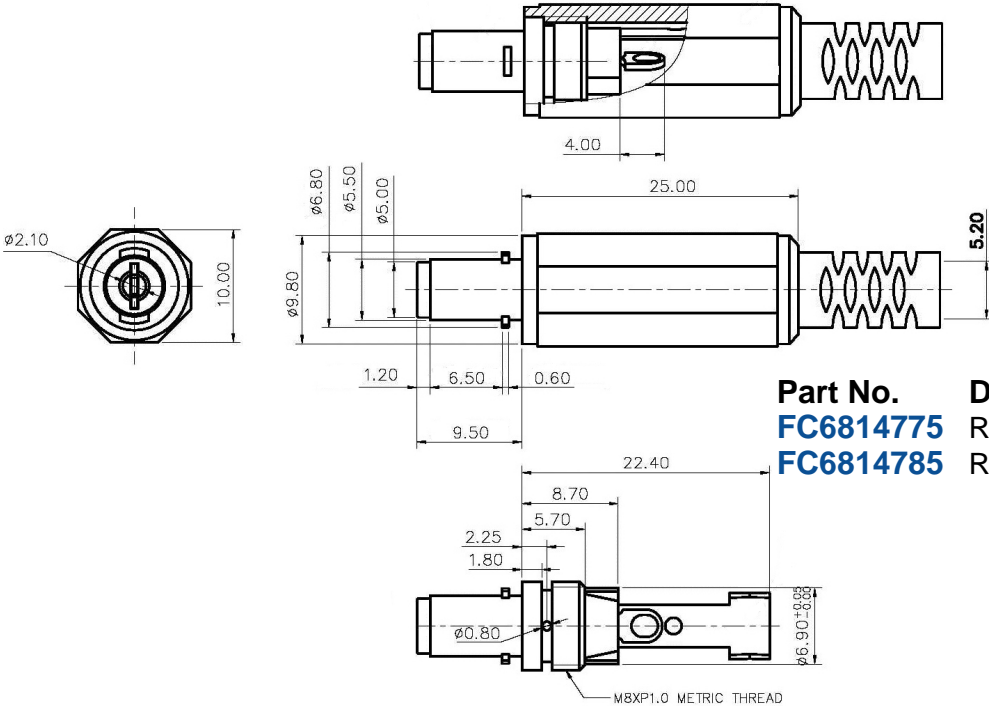
CLIFF

LOCKING DC PLUG & SOCKET

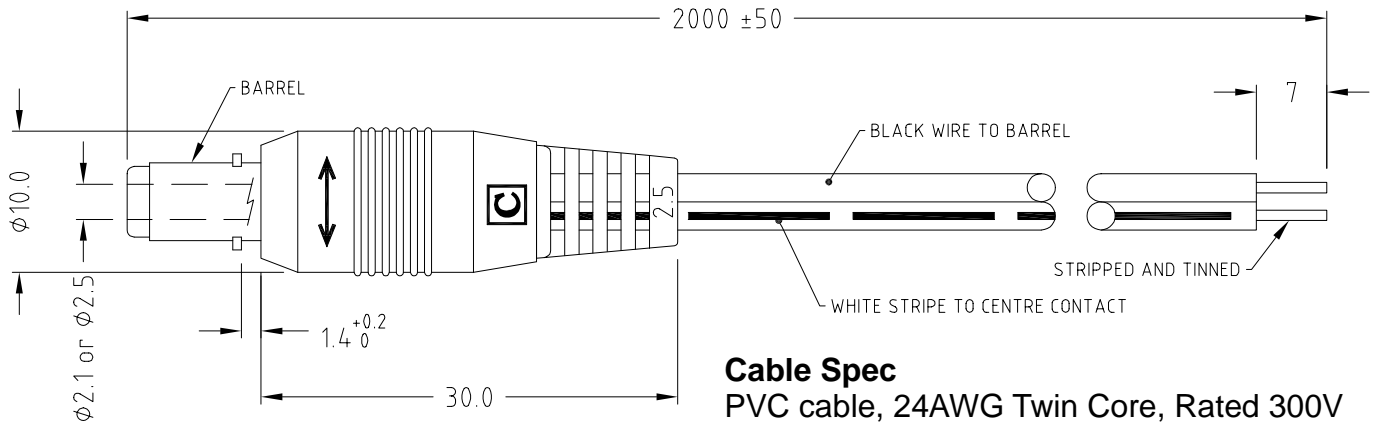


Part No.	Description
FC681477	Locking DC Socket Ø2.5mm
FC681478	Locking DC Socket Ø2.1mm

Specification
 Contact Resistance : 30mΩ max.
 Current rating : Max 2.0A, 16V DC
 Insulation Resistance : 100MΩ min at DC500V
 Dielectric Withstand Voltage : AC 500V for 1 minute.



Part No.	Description
FC6814775	Rewireable Locking DC Plug Ø2.5mm
FC6814785	Rewireable Locking DC Plug Ø2.1mm



Part No.
FC6814751
FC6814761

Description
Ø2.5mm LOCKING DC PLUG 2m CABLE
Ø2.1mm LOCKING DC PLUG 2m CABLE