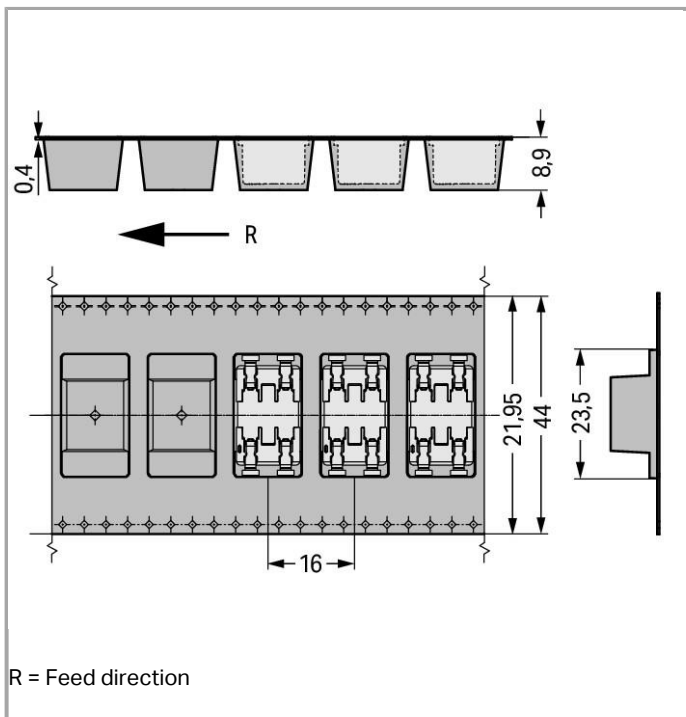
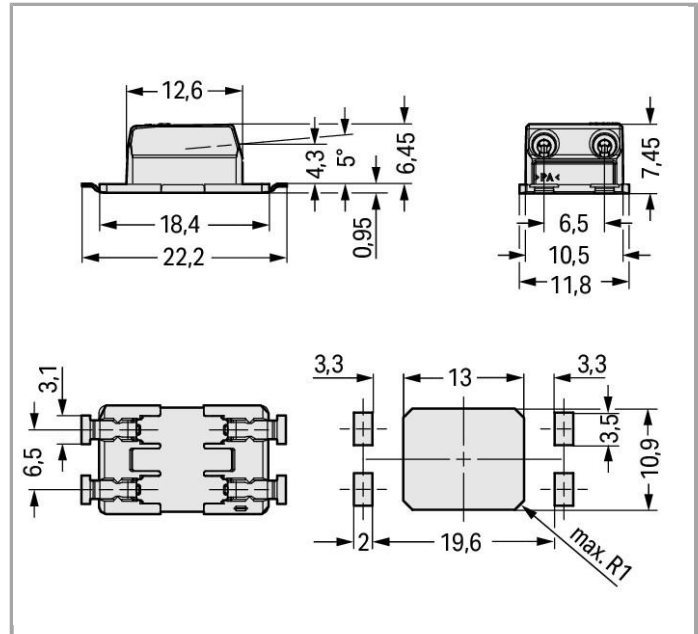
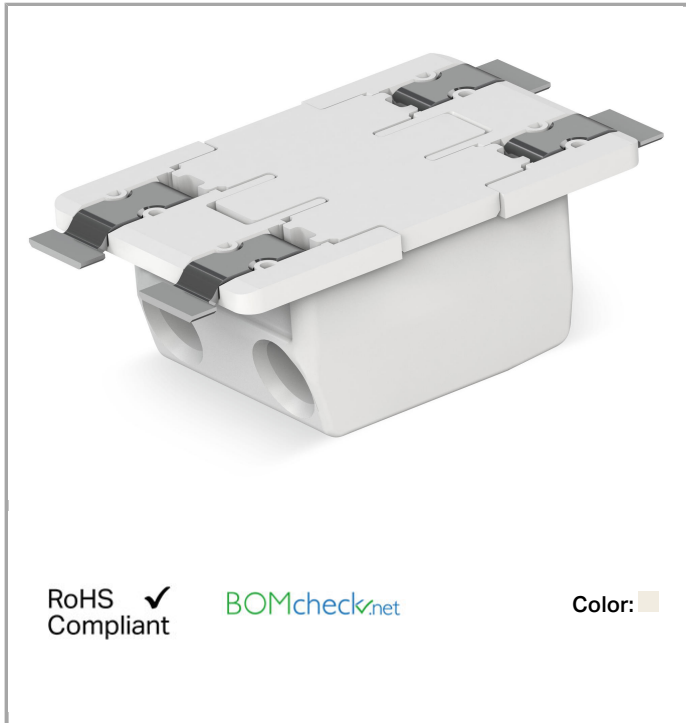


Data sheet | Item number: 2070-462/998-406

Through-Board SMD PCB Terminal Block; 0.75 mm²; Pin spacing 6.5 mm; 2-pole; Push-in CAGE CLAMP®; in tape-and-reel packaging



www.wago.com/2070-462/998-406



Item description



- SMD PCB terminal block with Push-in CAGE CLAMP® connection for back-side wiring of LED modules
- Low profile of just 1.1 mm on the module's front side
- Connect solid conductors via push-in termination
- Insert fine-stranded conductors and remove all conductors via operating tool

Data

Electrical data

Ratings per IEC/EN 60664-1

Ratings note	Electrical Data for FR4 PCB Type
Rated voltage (III / 3)	320 V
Rated impulse voltage (III / 3)	4 kV
Rated voltage (III / 2)	320 V
Rated impulse voltage (III / 2)	4 kV
Rated voltage (II / 2)	630 V
Rated impulse voltage (II / 2)	4 kV
Rated current	9 A
Ratings according to 2	IEC/EN 60664-1
Ratings note 2	Electrical Data for Metal-Core PCBs
Rated voltage (III / 3) 2	200 V
Rated impulse voltage (III / 3) 2	4 kV
Rated voltage (III / 2) 2	320 V
Rated impulse voltage (III / 2) 2	4 kV
Rated voltage (II / 2) 2	500 V
Rated impulse voltage (II / 2) 2	4 kV
Rated current (2)	9 A
Legend (ratings)	(III / 2) ≙ Overvoltage category III / Pollution degree 2

Connection data

Connection technology	Push-in CAGE CLAMP®
Actuation type	Operating tool
Solid conductor	0.2 ... 0.75 mm ² / 24 ... 18 AWG
Fine-stranded conductor	0.2 ... 0.75 mm ² / 24 ... 18 AWG
Strip length	8.5 ... 10 mm / 0.33 ... 0.39 Inch
Conductor entry angle to the PCB	0°
No. of poles	2
Number of levels	1
Total number of connection points	2
Total number of potentials	2
Number of connection types	1

Geometrical Data

Pin spacing	6.5 mm (0.256 inch)
Width	11.8 mm / 0.465 inch
Height	7.45 mm / 0.293 inch
Depth	22.2 mm / 0.874 inch
Reel diameter of tape-and-reel packaging	330 mm
Tape width	44 mm

Mechanical data

Design	with Cover
Type of mounting	Through-board

PCB contact

PCB contact	SMD
-------------	-----

Material Data

Color	white
Material group	I
Insulating material	Polyphthalamide (PPA GF)
Flammability class per UL94	V0
Contact material	Copper alloy
Contact plating	tin-plated
Weight	2.077 g

Environmental Requirements


Limit temperature range	-60 ... +105 °C
-------------------------	-----------------

Commercial data

Country of origin	CH
GTIN	4055143645157

Approvals / Certificates

Country specific Approvals

Logo	Approval	Certificate name
	CB DEKRA Certification B.V.	NL-50427
	KEMA/KEUR DEKRA Certification B.V.	71-102671

UL-Approvals

Logo	Approval	Certificate name
	UR Underwriters Laboratories Inc.	E45171

Compatible products

tools

	Item no.: 2070-400 Operating tool; of insulating material	www.wago.com/2070-400
----------------------------------------------------------------------------------	--------------------------------------------------------------	------------------------------------------------------------------

Downloads

smartDATA

PCB libraries

TARGET Library for WAGO PCB Terminal Blocks Compatible with TARGET PCB Design Software Version 17.x	1.1.0 06-Oct-2014	ZIP 27.1 MB	Download
EAGLE Library for WAGO PCB Terminal Blocks Compatible with EAGLE PCB Design Software Version 6.x or higher	2.1 17-Nov-2017	ZIP 23.9 MB	Download
DesignSpark Library for WAGO PCB Terminal Blocks Compatible with DesignSpark PCB Version 4.x or higher	2.1 06-Oct-2014	ZIP 22.5 MB	Download

CAD data

3D Download 2070-462/998-406	URL	Download
------------------------------	-----	----------

Subject to changes.

WAGO Kontakttechnik GmbH & Co. KG
 Hansastr. 27
 32423 Minden
 Phone: +49571 887-0 | Fax: +49571 887-169
 Email: info.de@wago.com | Web: www.wago.com

Do you have any questions about our products?
 We are always happy to take your call at 01788 568 008.