

UNITED KINGDOM 3-PIN PLUG-IN POWER SUPPLY 5VDC 15.5WATT



POWERPAX: SW4423-C

Features:

- United Kingdom Fixed AC Head
- 1 Year Warranty
- Level VI Efficiency
- CE Approved



Description:

Our Range of Class II 15.5 Watt AC/DC United Kingdom plug-in power supplies provide 15.5 Watts of continuous power in a compact fixed wall plug enclosure suitable for use in many general power applications.

Specification	
Part Number	SW4423-C
Input Voltage Range	90-264Vac
Input Frequency Range	50-60Hz
Input Current Rated	0.5A max
Output Voltage Rating	+5V
Output Current Range	3.1A
Output Min Current	0.0A
Output Connection Type	2 x USB Socket
Total Output Regulation	+/- 5%
Line and Load Regulation	+/- 5%
Ripple & Noise	150mVp-p
Efficiency	81.59% Min
Over Voltage Protection	The output voltage shall be clamped by internal protection
Over Current Protection	The power supply will be protection when output power \leq 3.8A of all rated dc output
Short-circuit Protection	The adapter shall not be damaged by short the DC output to Ground. The adapter shall resume normal operation when a short circuited fault condition is removed
Operating Temperature	0°C to +40°C
Storage Temperature	-20°C to +80°C
Operating Humidity	10% to 90%
Storage Humidity	10% to 90%
Hi-Pot	3000Vac 5mA 1min
Leakage Current	0.25mA max
Safety Standard	TUV/VDE-EN60950-1, Declared& CE Mark, BS EN60950-1
EMC Standard	FCC part 15: Class B EN55022:2010, Class B GB9254-2008, GB17625.1-2012
MTBF	50K Hours
Size mm max.	49.75(L) x 43.75 (W) x 34.5(H) mm
Weight	70g

General Note

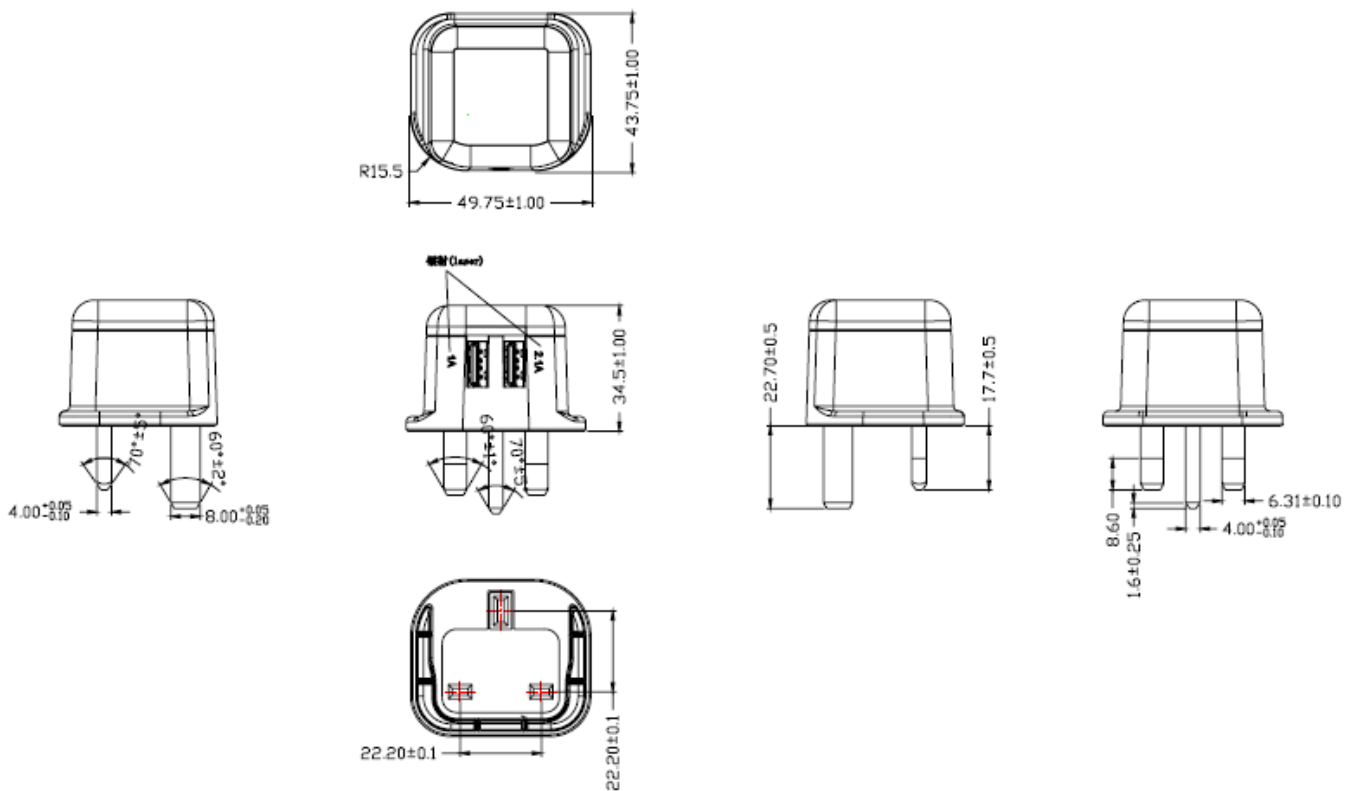
TT Electronics reserves the right to make changes in product specification without notice or liability. All information is subject to TT Electronics' own data and is considered accurate at time of going to print.

POWERPAX

TT Electronics IoT Solutions Ltd
Tofts Farm East, Brenda Road, Hartlepool, TS25 2BQ, UK
t: +44 (0) 1429 852 500

UNITED KINGDOM 3-PIN PLUG-IN POWER SUPPLY 5VDC 15.5WATT POWERPAX: SW4423-C

Diagrams



General Note

TT Electronics reserves the right to make changes in product specification without notice or liability. All information is subject to TT Electronics' own data and is considered accurate at time of going to print.

POWERPAX

TT Electronics IoT Solutions Ltd
Tofts Farm East, Brenda Road, Hartlepool, TS25 2BQ, UK
t: +44 (0) 1429 852 500