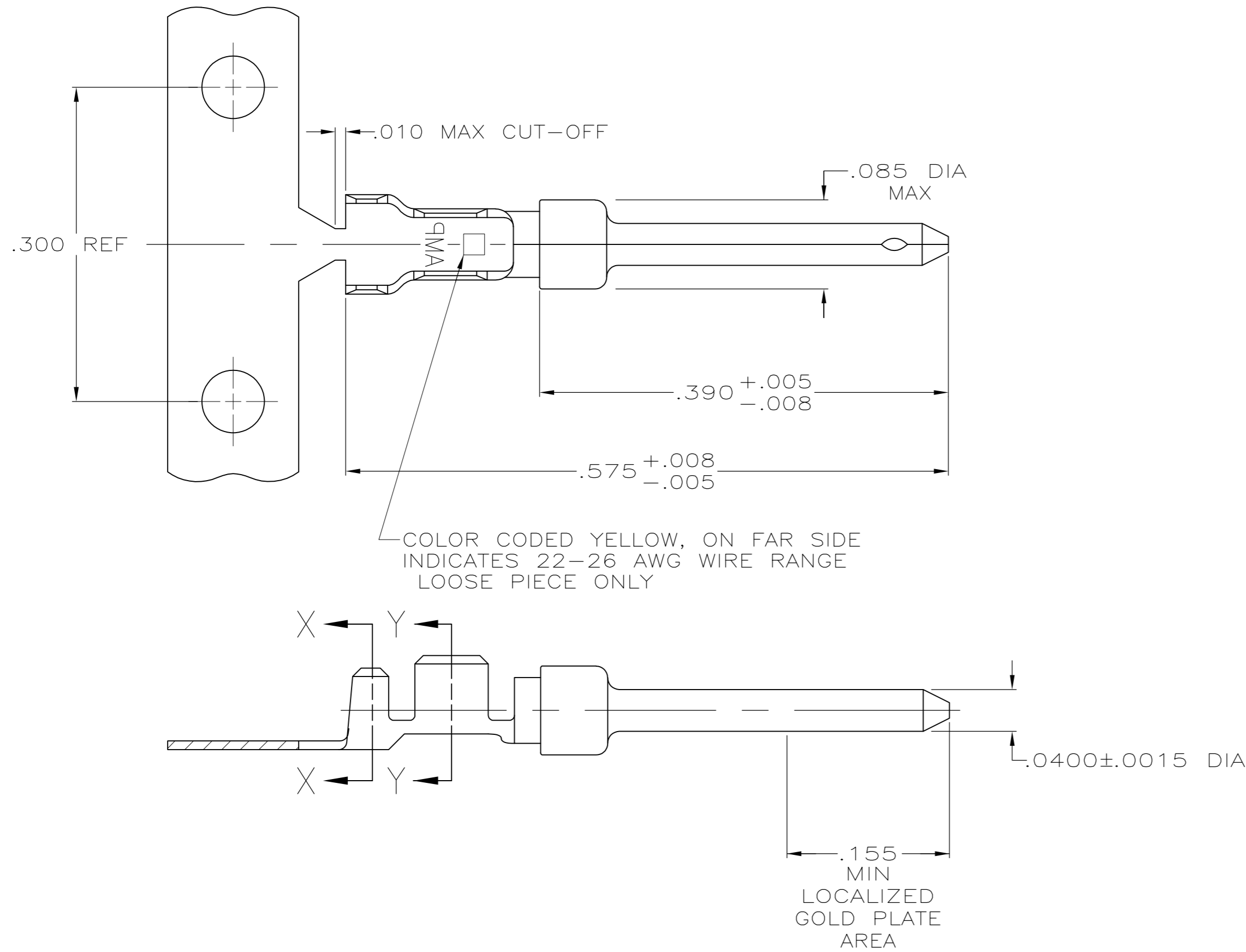


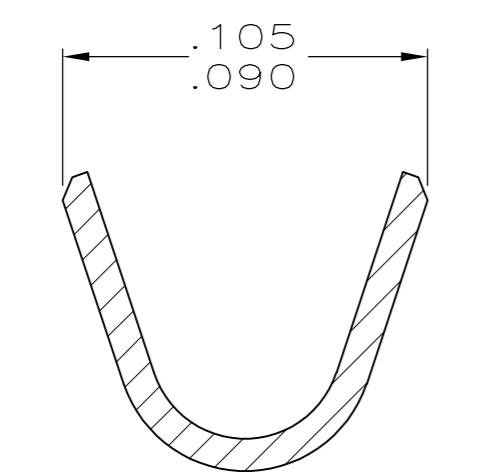
THIS DRAWING IS UNPUBLISHED. RELEASED FOR PUBLICATION  
 © COPYRIGHT - By - ALL RIGHTS RESERVED.

LOC		DIST		REVISIONS			
P	LTR	DESCRIPTION		DATE	DWN	APVD	
GP	00	K1	REVISED PER ECO-11-004835		11MAR11	RK	HMR

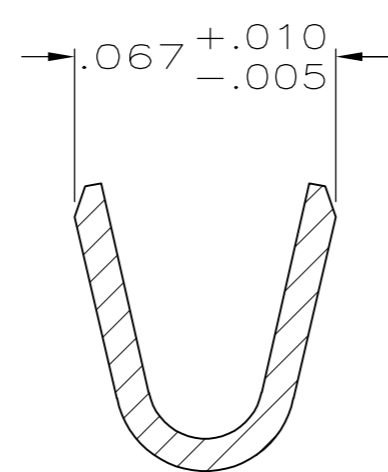


- 1 FOR MINI-APPLICATOR.
- 2 FOR HAND TOOL USE ONLY.
- 3. WIRE RANGE OF 22-26, INSULATION RANGE OF .040-.050.
- 4. GOLD PLATING MAY NOT APPEAR ON CARRIER STRIP.
- 5 GOLD PLATING PER MIL-G-45204.  
NICKEL PLATING PER QQ-N-290.  
TIN PLATING PER MIL-T-10727.
- 6 GOLD PLATED IN LOCALIZED GOLD PLATE AREA AS FOLLOWS:  
.000030 MIN GOLD IN MATED AREA,  
GOLD FLASH ON REMAINDER OF CONTACT, ALL OVER  
.000050 MIN NICKEL UNDERPLATE.  
OR  
GOLD FLASH OVER  
PALLADIUM-NICKEL PLATE, .000030 MIN TOTAL IN MATED AREA,  
GOLD FLASH ON REMAINDER OF CONTACT, ALL OVER  
.000050 MIN NICKEL UNDERPLATE.
- 7 .000001 MIN GOLD OVER  
.000030 MIN NICKEL.
- 8 GOLD PLATED IN LOCALIZED GOLD PLATED AREA,  
.000001 MIN GOLD IN MATED AREA,  
TIN PLATED WIRE BARRELS, OVER  
.000030 NICKEL.
- 9 GOLD PLATED IN LOCALIZED GOLD PLATED AREA,  
.000030 GOLD IN MATED AREA,  
TIN PLATED WIRE BARRELS, OVER  
.000050 NICKEL.

OBSOLETE	SMALL PACK	7	2	LOOSE PIECE	1-745254-7
OBSOLETE	STANDARD	9	2	LOOSE PIECE	1-745254-6
OBSOLETE	STANDARD	9	1	STRIP	1-745254-4
OBSOLETE	STANDARD	8	2	LOOSE PIECE	1-745254-3
OBSOLETE	STANDARD	8	1	STRIP	1-745254-1
	STANDARD	7	2	LOOSE PIECE	745254-7
	STANDARD	6	2	LOOSE PIECE	745254-6
	STANDARD	7	1	STRIP	745254-3
	STANDARD	6	1	STRIP	745254-2
PACKAGING TYPE	FINISH	USE	TYPE	PART NUMBER	



SECTION X-X  
INSULATION BARREL  
SCALE 20:1



SECTION Y-Y  
WIRE BARREL  
SCALE 20:1

THIS DRAWING IS A CONTROLLED DOCUMENT.		DWN	S.WELDON	9-9-86	 TE Connectivity
DIMENSIONS: INCHES		CHK	C.RICHARD	9-9-86	
TOLERANCES UNLESS OTHERWISE SPECIFIED:		APVD	V. KUMAR	9-10-86	
0 PLC ± - 1 PLC ± - 2 PLC ± - 3 PLC ± .005 4 PLC ± - ANGLES ± -		PRODUCT SPEC	NAME		
MATERIAL	BRASS PER MIL-C-50	FINISH	5	SEE TABLE	PIN CONTACT, SIZE 20 DF, 22-26 AWG, W/.040-.050 DIA INSULATION SUPPORT
CUSTOMER DRAWING		WEIGHT	-	SIZE	A2
SCALE		10:1	SHEET	1 of 1	REV
					K1