



Comp.dev.Emer.stop/em.swit.off but.encl.




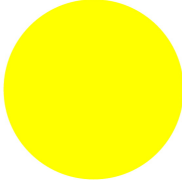


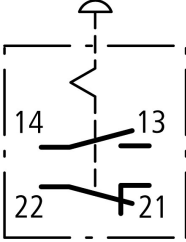


Powering Business Worldwide™

Part no.
Article no.
Catalog No.

M22-PV/KC11/IY
216525
M22-PV-KC11-IYQ

Delivery programme


Approval			  
Product range			RMQ-Titan (drilling dimensions 22.5 mm)
Basic function			Emergency stop buttons
Single unit/Complete unit			Complete unit
Description			Tamper-proof according to ISO 13850/EN 418 Pull to release
Colour of enclosure top			Yellow
Colour of enclosure top			
Function			Pull-release
Contacts			
N/O = Normally open			1 N/O
N/C = Normally closed			1 NC 
Notes			 = safety function, by positive opening to IEC/EN 60947-5-1
Contact sequence			
RAL Value			RAL 1004
Front ring			Bezel: Silver
Connection to SmartWire-DT			no

Approvals

Product Standards	IEC/EN 60947-5; UL 508; CSA-C22.2 No. 14-05; CSA-C22.2 No. 94-91; CE marking
UL File No.	E29184
UL Category Control No.	NKCR
CSA File No.	012528
CSA Class No.	3211-03
North America Certification	UL listed, CSA certified
Degree of Protection	UL/CSA Type 3R, 4X, 12, 13

General

Standards			IEC/EN 60947 VDE 0660
Lifespan, mechanical	Operations	x 10 ⁶	> 0.1

Operating frequency	Operations/ h		 600
Actuating force		n	50
Protection type			IP66, IP69K
Climatic proofing			Damp heat, constant, to IEC 60068-2-78 Damp heat, cyclic, to IEC 60068-2-30
Ambient temperature		°C	
Open		°C	- 25 - + 70
Mounting position			As required
Mechanical shock resistance		g	50 Shock duration 11 ms Sinusoidal according to IEC 60068-2-27

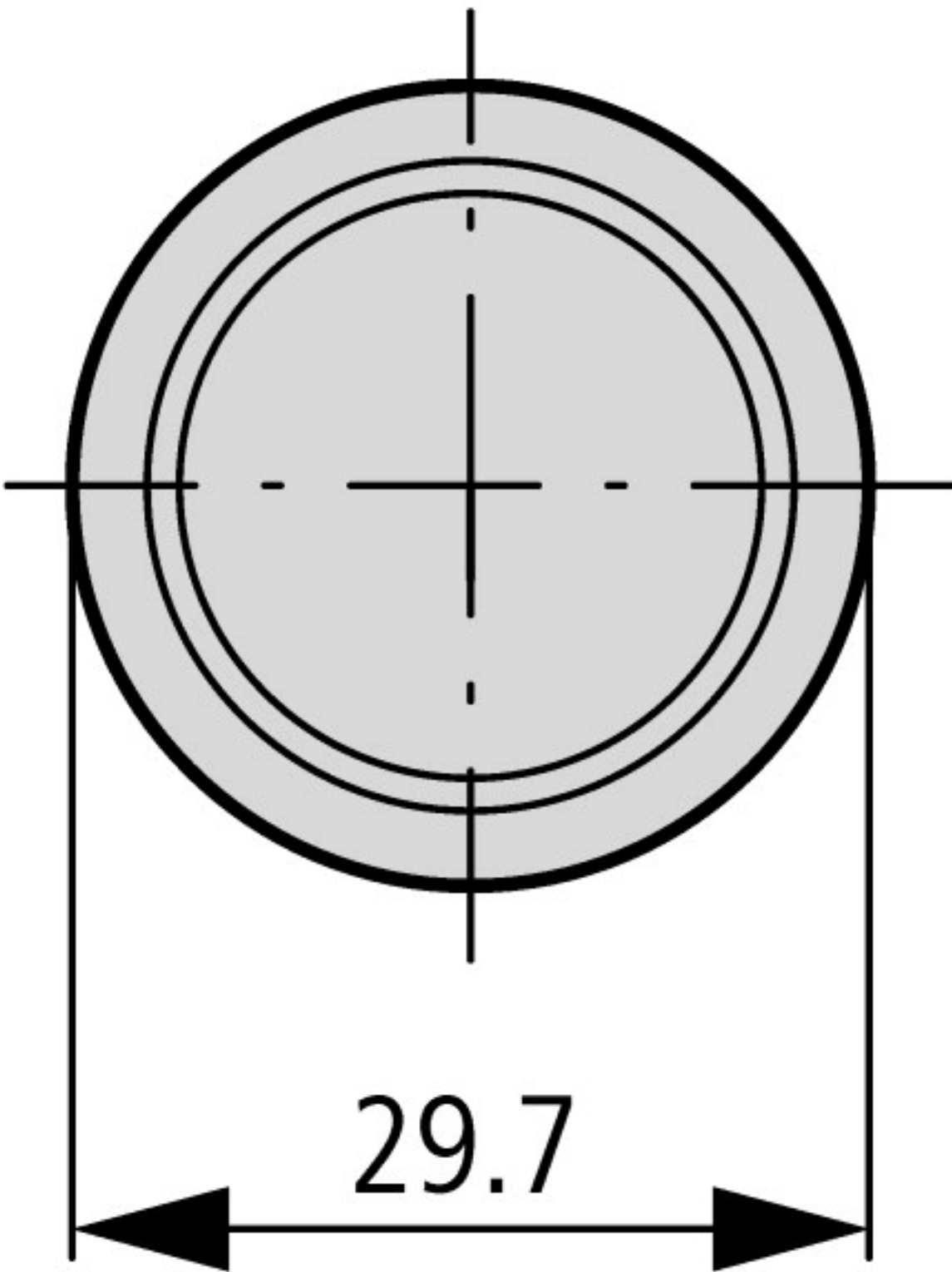
Technical data ETIM 5.0

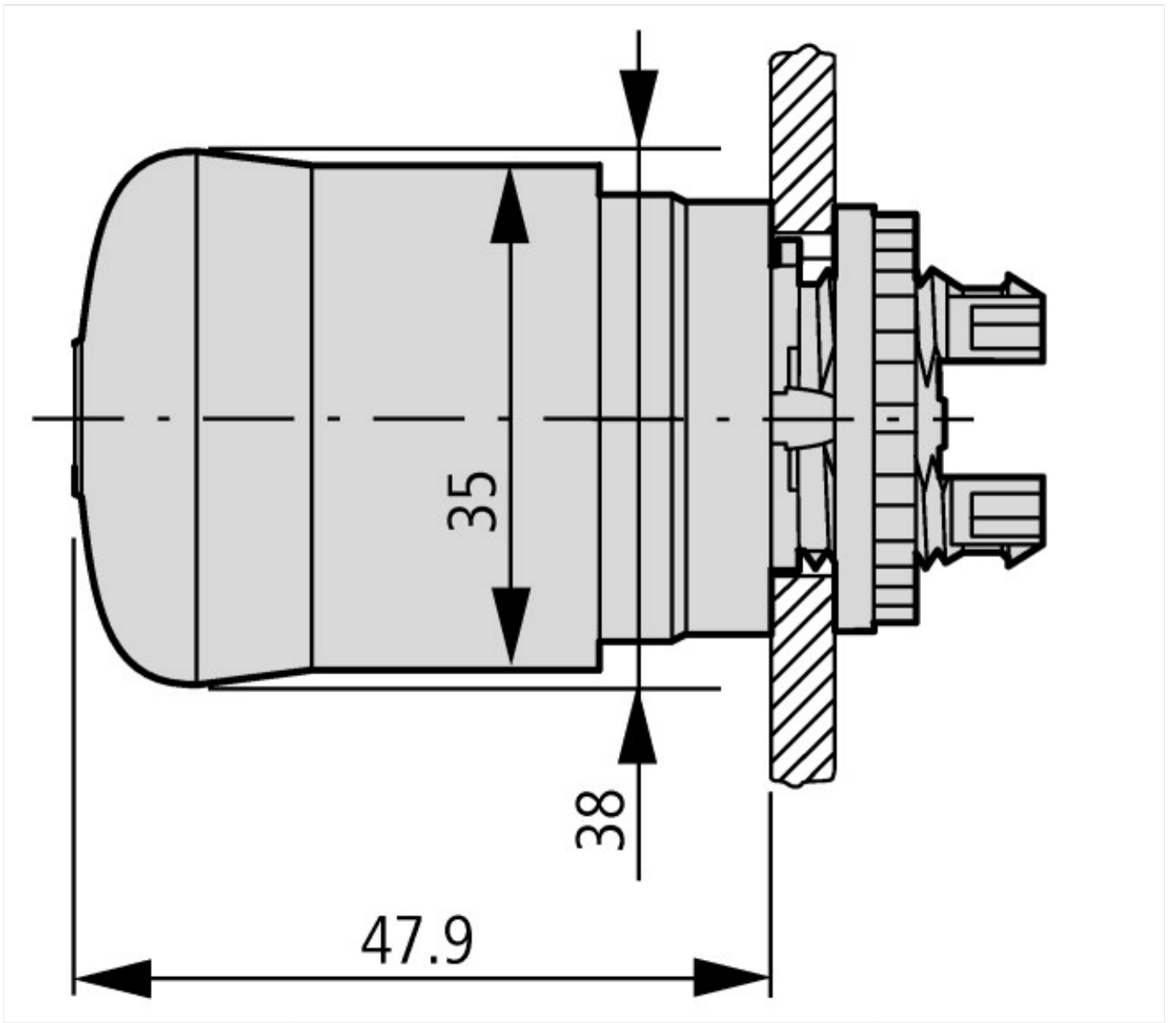
Low-voltage industrial components (EG000017) / Emergency stop complete (EC002034)

Electric engineering, automation, process control engineering / Low-voltage switch technology / Command and alarm device / EMERGENCY-STOP pushbutton, complete device (ecl@ss8-27-37-12-44 [ACN986007])

Unlocking method			Pull release
Number of contacts as normally closed contact			1
Number of contacts as normally open contact			1
Degree of protection (IP)			IP66
Mounting method			Built-in
With lighting			No
Hole diameter		mm	22
Connection type auxiliary circuit			Spring clamp connection

Dimensions





Additional product information (links)

IL04716002Z (AWA1160-1745) RMQ-Titan System

IL04716002Z (AWA1160-1745) RMQ-Titan System

ftp://ftp.moeller.net/DOCUMENTATION/AWA_INSTRUCTIONS/IL04716002Z2013_08.pdf