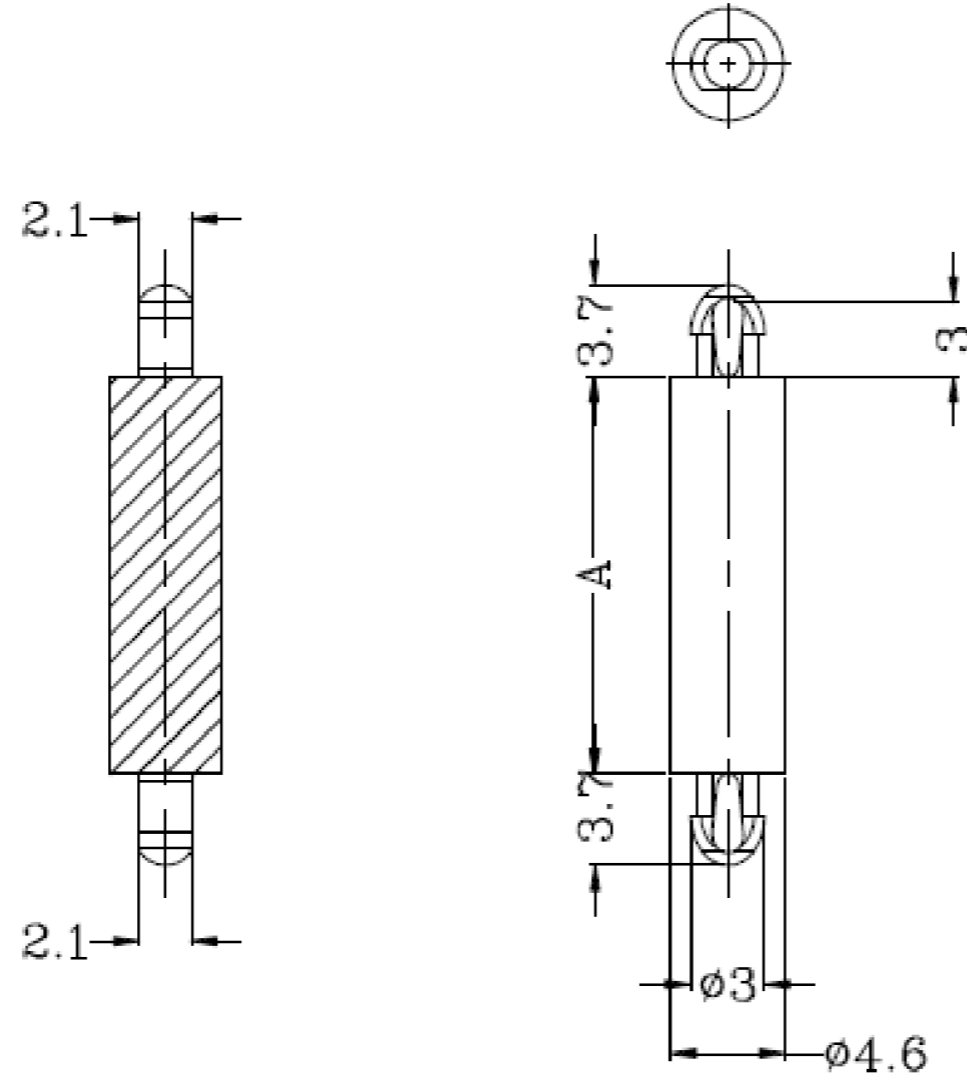


DEBUR AND BREAK SHARP EDGES

DO NOT SCALE DRAWING

REVISION



PART No.	"A"
TRMDLSP1-04M-01	4
TRMDLSP1-06M-01	6
TRMDLSP1-08M-01	8
TRMDLSP1-10M-01	10
TRMDLSP1-12M-01	12

B DRG.No. CHANGED  
M.E. 09/07/14  
A DRAWN 18/06/14

NOTES

- MATERIAL: PA66 UL94 V2/UL94 V0;**
- COLOR: NATURAL;**
- ROHS Compliant;**
- Hole:  $\varnothing 2.5 \pm 0.08\text{mm}$ ,  
Panel Thickness: 1.57mm**



DESIGN RIGHT. TR FASTENINGS LTD, 2003  
UNDER NO CIRCUMSTANCES MUST THIS  
DRAWING BE COPIED OR DISCLOSED,  
WITHOUT FIRST OBTAINING WRITTEN  
AUTHORITY.

UNLESS OTHERWISE SPECIFIED:  
DIMENSIONS ARE IN MILLIMETERS  
SURFACE FINISH:  
TOLERANCES:

ISO 2768 m

NAME	DATE
DRAWN MARTIN ELLIOTT	18/06/14
CHK'D	
APPV'D	

CUSTOMER PART No

MATERIAL:

SEE NOTES

HEAT TREATMENT

N/A

FINISH:

N/A

TITLE:

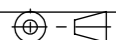
MINI DUAL LOCKING  
SUPPORT POST

DWG NO.

TRMDSL P1-XXM-01

A3

PROJECTION



SHEET 1 OF 1