

THE INFORMATION CONTAINED HEREIN IS CONSIDERED "PROPRIETARY" TO BEL FUSE INC. AND SHALL NOT BE COPIED, REPRODUCED OR DISCLOSED WITHOUT THE WRITTEN APPROVAL OF BEL FUSE INC.

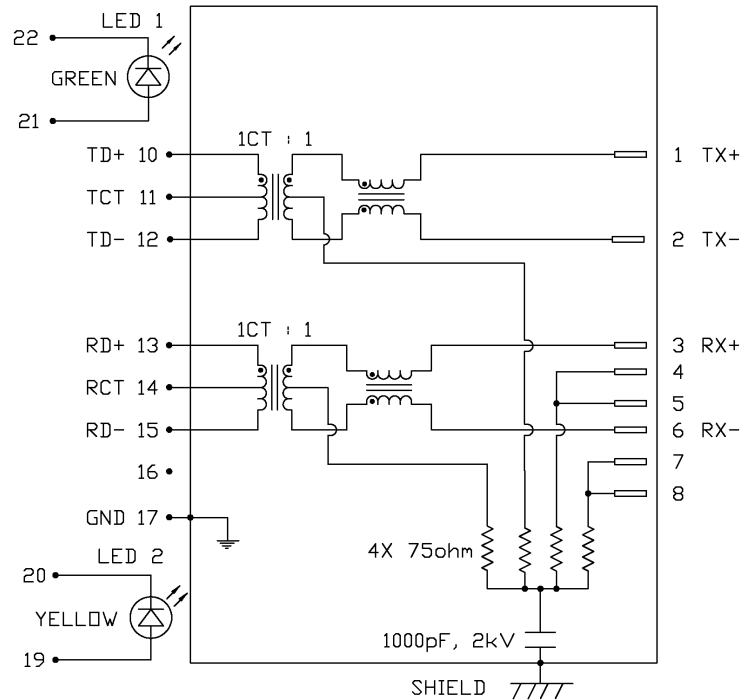
LED1 POLARITY			LED2 POLARITY		
PIN 21	PIN 22	COLOR	PIN 19	PIN 20	COLOR
+	-	GREEN	+	-	YELLOW



ELECTRICAL CHARACTERISTICS @ 25°C

URNS RATIO	
TX	1CT : 1CT ±3%
RX	1CT : 1CT ±3%
OCL @ 100kHz,100mVRMS	
8mA DC BIAS	350µH MIN
INS. LOSS	
100kHz TO 100MHz	-1.1 dB MAX
RET. LOSS	
1MHz-30MHz	-18 dB MIN
30MHz-80MHz	-12 dB MIN
CM TO CM REJ	
100kHz - 100MHz	-30 dB Min
CM TO DM REJ	
100kHz - 100MHz	-35 dB Min
CROSS TALK	
1MHz - 100MHz	-30 dB Min
HIPOT (Isolation Voltage):	
LEAKAGE INDUCTANCE	1500 Vrms or 2250VDC
PRIMARY W/ SECONDARY	
INTERWINDING CAPACITANCE	0.3uH Max. @ 1MHz
PER CHANNEL (PRI. TO SEC.)	
DC RESISTANCE	30pF Max @ 1MHz
(RJ1-RJ2)=(RJ3-RJ6)	
	1.4 ohms Max
LED 1	
Vf (FORWARD VOLTAGE)	IF=20mA GREEN 2.2V TYP.
λd (DOMINANT WAVELENGTH)	IF=20mA GREEN 565nm TYP.
LED 2	
Vf (FORWARD VOLTAGE)	IF=20mA YELLOW 2.1V TYP.
λd (DOMINANT WAVELENGTH)	IF=20mA YELLOW 590nm TYP.
USB ELECTRICAL:	
INSULATION RESISTANCE:	1000 MEGA Ω (MIN)
CONTACT RESISTANCE:	25 MILLI Ω (MAX)
DIELECTRIC WITHSTANDING:	750 VAC

SCHEMATIC



ORIGINATED BY	DATE	TITLE
CHUNG	04-12-06	MagJack® Combo
DRAWN BY	DATE	(Staggered pin)
DE	04-12-06	

PART NO. / DRAWING NO.	C893-1DX1-E5
FILE NAME	C8931DX1E5B.DWG

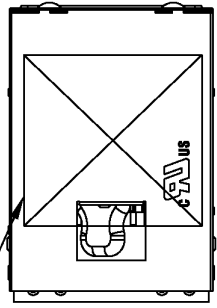
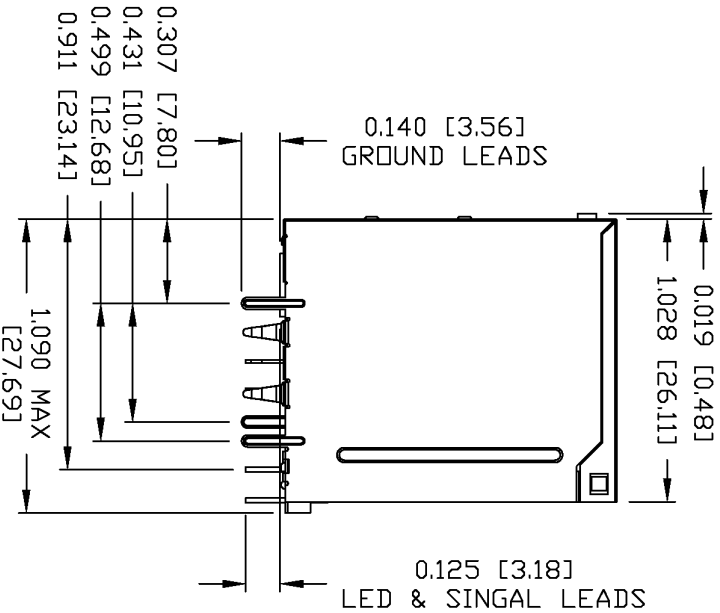
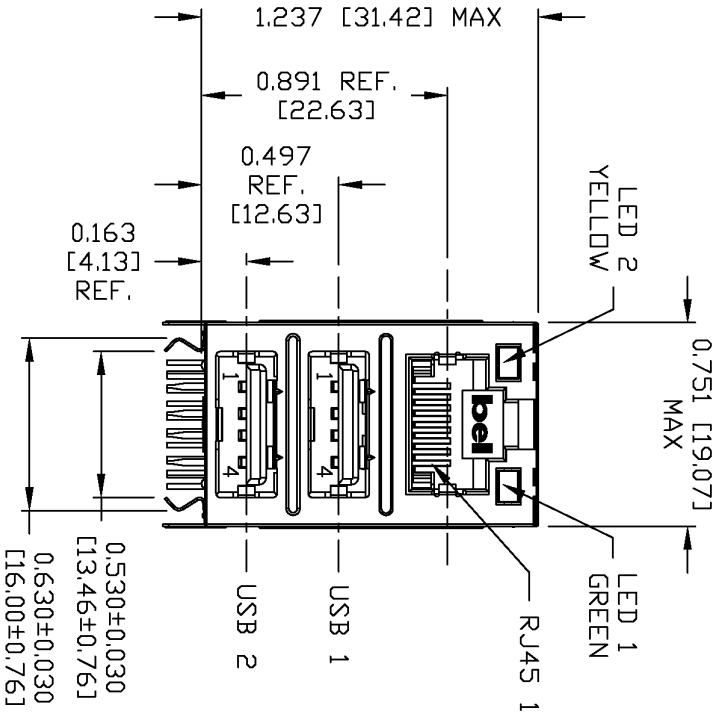
STANDARD DIM. TOL. IN INCH	[] METRIC DIM. AS REFERENCE
.X	UNIT : INCH [mm] REV. : B
.XX	SCALE : N/A SIZE : A4
.XXX	PAGE : 2

[] METRIC DIM. AS REFERENCE	
UNIT : INCH [mm]	REV. : B
SCALE : N/A	SIZE : A4
PAGE : 2	



THE INFORMATION CONTAINED HEREIN IS CONSIDERED "PROPRIETARY" TO BEL FUSE INC. AND SHALL NOT BE COPIED, REPRODUCED OR DISCLOSED WITHOUT THE WRITTEN APPROVAL OF BEL FUSE INC.

MECHANICAL SPECIFICATION



ORIGINATED BY QIN
 DATE 04-12-06
 DRAWN BY TING
 DATE 04-12-06

TITLE
 MagJack® Combo
 (Staggered pin)

PART NO. / DRAWING NO.
 C893-1DX1-E5
 FILE NAME
 C8931DX1E5B.DWG

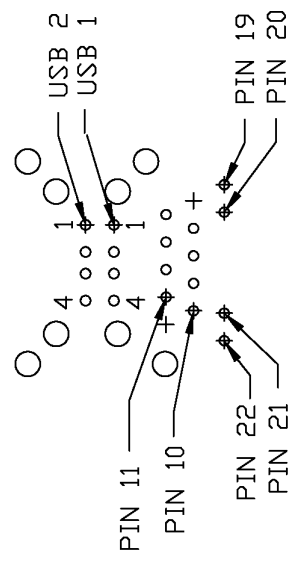
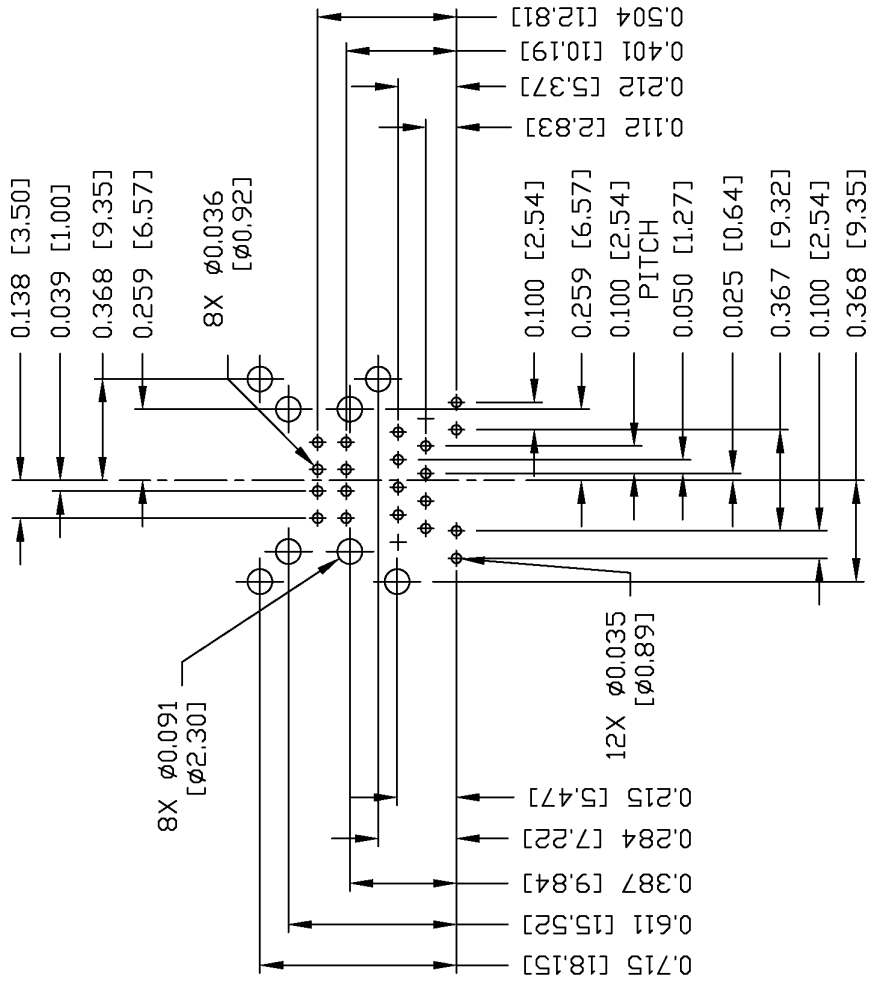
STANDARD DIM.
 TOL. IN INCH
 .X
 .XX
 .XXX
 ±0.010

[] METRIC DIM. AS REFERENCE
 UNIT : INCH [mm]
 SCALE : N/A
 REV. : B
 SIZE : A4
 PAGE : 3



THE INFORMATION CONTAINED HEREIN IS CONSIDERED "PROPRIETARY" TO BEL FUSE INC. AND SHALL NOT BE COPIED, REPRODUCED OR DISCLOSED WITHOUT THE WRITTEN APPROVAL OF BEL FUSE INC.

Recommended PCB footprint
Component Side



RJ45 MECHANICAL:

- PLASTIC HOUSING: THERMOPLASTIC PBT
- FLAMMABILITY RATING UL 94V-0
- CONTACTS PLATING: 50 MICRO-INCH HARD GOLD PLATING
- PINS: TIN-COATED CP WIRE, DIA 0.018 INCH, NICKEL PLATED ON COPPER ALLOY, (ALL GROUND LEADS ARE SOLDER DIPPED)
- METAL SHIELD: 35 NEWTONS MAXIMUM
- USB MECHANICAL: 10 NEWTONS MINIMUM
- MATING FORCE: PHOSPHOR BRONZE
- UNMATING FORCE: 30 MICRO-INCH GOLD PLATING ON CONTACT
- CONTACTS: AREA AND TIN ON SOLDER TAIL.

[1] MARK PART WITH MFG LOGO, MFG NAME, PART NUMBER, AND DATE CODE.

Belus UL RECOGNIZED - FILE #E196366 AND E169987.

RoHS COMPLIANCE, PER EU DIRECTIVE 2002/95/EC.

JACK CAVITY CONFORMS TO FCC RULES AND REGULATIONS.

ORIGINATED BY	DATE	TITLE
QIN	04-12-06	MagJack® Combo (Staggered pin)
DRAWN BY	DATE	
TING	04-12-06	

PART NO. / DRAWING NO.	STANDARD DIM.
C893-1DX1-E5	TOL. IN INCH
FILE NAME	X
C8931DX1E5B.DWG	.XX
	.XXX

[] METRIC DIM. AS REFERENCE
UNIT : INCH [mm]
REV. : B
SCALE : N/A
SIZE : A4
PAGE : 4

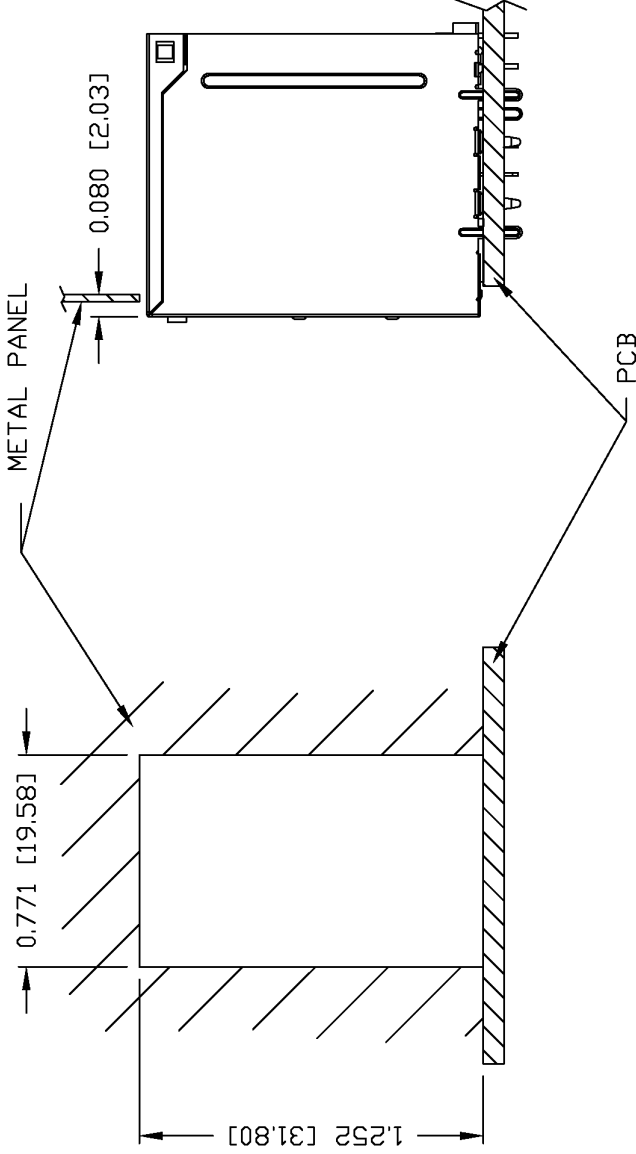


This document is electronically generated. This is a controlled copy if used internally



THE INFORMATION CONTAINED HEREIN IS CONSIDERED "PROPRIETARY" TO BEL FUSE INC. AND SHALL NOT BE COPIED, REPRODUCED OR DISCLOSED WITHOUT THE WRITTEN APPROVAL OF BEL FUSE INC.

SUGGESTED PANEL OPENING



NOTE:

THE DISTANCE OF PANEL INSIDE SURFACE RELATIVE TO FRONT SURFACE OF PART IS ONLY A SUGGESTION. IN CASE THIS DISTANCE IS DIFFERENT, THE REQUIRED PANEL OPENING DIMENSIONS CHANGE ACCORDINGLY.

PACKING INFORMATION

PACKING TRAY : 0200-9999-H3 (TOP)
0200-9999-H4 (BOTTOM)

PACKING QUANTITY : 35 PCS FINISHED GOODS PER TRAY

9 TRAYS (315 PCS FINISHED GOODS) PER CARTON BOX

NOTE : CARDBOARDS ARE PLACED BETWEEN LAYERS OF PACKING TRAY INSIDE CARTON BOX
(INCLUDE THE UPPERMOST AND LOWERMOST TRAY)

ORIGINATED BY : QIN
DATE : 04-12-06

DRAWN BY : TING
DATE : 04-12-06

TITLE : MagJack® Combo
(Staggered pin)

PART NO. / DRAWING NO. : C893-1DX1-E5
FILE NAME : C8931DX1E5B.DWG

STANDARD DIM.	
TOL. IN INCH	
.X	
.XX	
.XXX	±0.004

[] METRIC DIM. AS REFERENCE	
UNIT : INCH [mm]	REV. : B
SCALE : N/A	SIZE : A4
	PAGE : 5