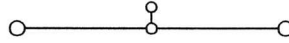


Din-Rail Terminal Block

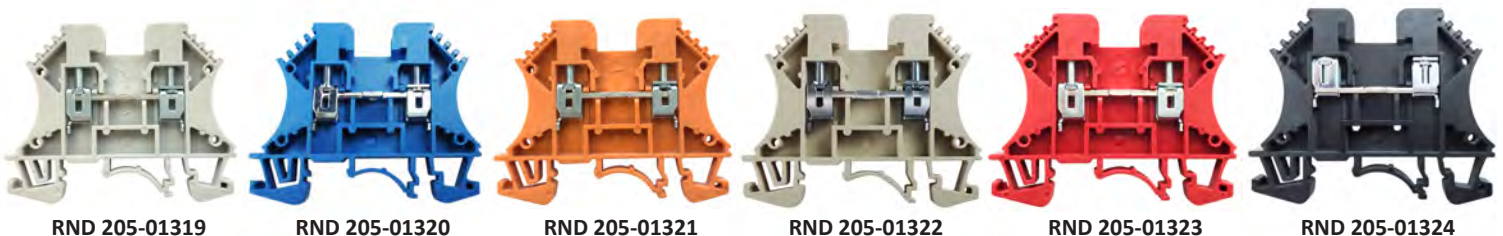
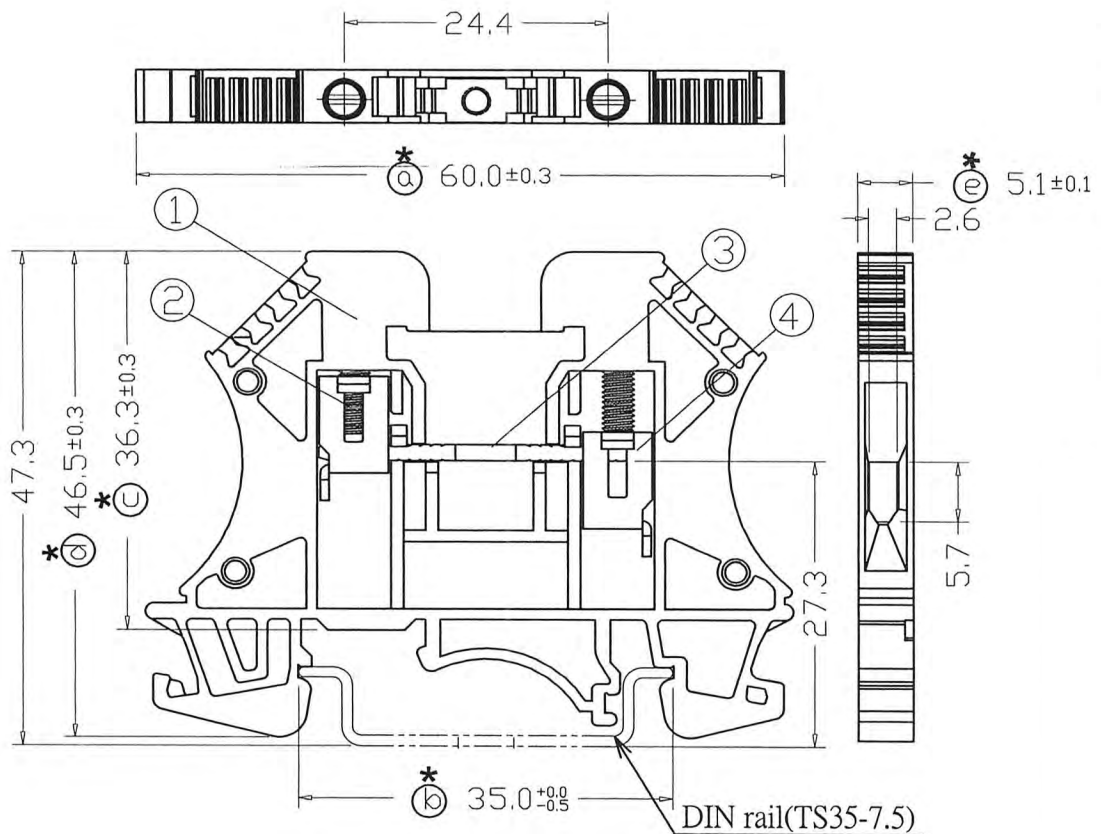


Specification	CUL	IEC
Rated Voltage	600 V	800 V
Rated Current	24 A	24 A
Solid Wire	22 ... 10 AWG	0.5 ... 2.5 mm ²
Stranded Wire	22 ... 10 AWG	0.5 ... 2.5 mm ²
Impulse Withstand Voltage	8 kV	
Torque (Terminal Screw)	0.8 Nm	
Terminal Screw	M3	
Wire Strip Length	10 ... 12 mm	
Mounting Din-Rail	TS35-7.5/TS35-15/TS32	

Material Specification

1 - Insulating Body	PA66 (UL94 V-0)
2 - Terminal Screw	Steel M3, Zinc Finish
3 - Terminal	Brass, Tin Plated
4 - Cage Clamp	Steel, Zinc Finish

Drawing



Din-Rail Terminal Block



Accessories



End Bracket
RND 205-01335



End Plate
RND 205-01336



Cross Connector
RND 205-01337



Slotted VDE Screwdriver
RND 550-00389



Marking Tag Numbers
RND 205-01341
RND 205-01342



Top Hat DIN-Rails
RND 465-00764
RND 465-00765
RND 465-00766