



HF-Performer Intelligent for TL5 HE/HO lamps

HF-Pi 1 28/35/49/80 TL5 EII

HF-Performer Intelligent for Master and ECO TL5 HE/HO, TL-D and PL-L lamps HF-Performer Intelligent features automatic recognition of the connected lamp and is independently able to adjust its operation parameters exactly to the respective lamp. This results in a substantial benefit, especially for T5 lamps, as it means TL5 HE and HO lamps of the same length can be interchanged. With a choice of seven ballasts, the customer is able to handle efficiently every possible combination of Master TL5 and Eco, TL-D, and PL-L lamps. The ballast is primarily designed for indoor application. For outdoor application, the luminaire should be minimum Classland need to be sufficiently protected against water & dust. The installation should also be guard against any lightning surge or any other necessary electrical protection as deemed in such typical installation & application.

Product data

General Information		Electrical	
Application Code	EII	Ignition Method	Warm Start
Lamp Type	TL5	Crestfactor (Max)	1.7
Number of Lamps	1 piece/unit	Ignition Time (Max)	5.0 s
Number of Products on MCB (16A Type B) (Nom)	12	Mains Voltage Performance (AC)	-8% - +6%
Automatic Restart	Yes	Mains Voltage Safety (AC)	-10% - +10%
		Earth Leakage Current (Max)	0.5 mA
		Inrush Current Width	0.35 ms
		Constant Wattage Deviation	-2% / +2%
		Ballast Factor (Nom)	1.00
		Power Losses (Nom)	4.0 - 5.4 W
Operating and Electrical			
Input Voltage	220 to 240 V		
Input Frequency	50 to 60 Hz		

HF-Performer Intelligent for TL5 HE/HO lamps

Inrush Current Peak (Max)	31 A
---------------------------	------

Wiring

Connector Type Input Terminals	Insert
Cable Capacity Output Wires Mutual (Nom)	150 pF
Connector Type Output Terminals	Insert
Cable Length Hot Wiring	0.75 m
Wire Striplength	8.0-9.0 mm
Input Terminal Cross Section	0.50-1.00 mm ²
Output Terminal Cross Section	0.50-1.00 mm ²
Cable Capacity Output Wires to Earth (Nom)	150 pF

System characteristics

Rated Ballast-Lamp Power	28/35/49/80 W
Rated Lamp Power on TL5	28/35/49/80 W
System Power on TL5	34.7/43.3/55/89.8 W
Lamp Power on TL5	30.7/38.7/50.2/84 W
Power Loss on TL5	4/4.6/4.8/5.8 W

Temperature

T-Ambient (Max)	50 °C
T-Ambient (Min)	-25 °C
T-Storage (Max)	80 °C
T-Storage (Min)	-40 °C
T-Case Lifetime (Nom)	75 °C
T-Case Maximum (Max)	75 °C
T-Ignition (Max)	50 °C
T-Ignition (Min)	-25 °C

Mechanical and Housing

Housing	L360x30x22
---------	------------

Emergency Operation

Nominal Light Output After 60 Seconds	100% of EBLF
Battery Voltage Lamp Operation	198-276

Emergency Ballast Lumen Factor (EBLF) (Nom)	100 %
---	-------

Nominal Light Output After 5 Seconds	50% of EBLF
--------------------------------------	-------------

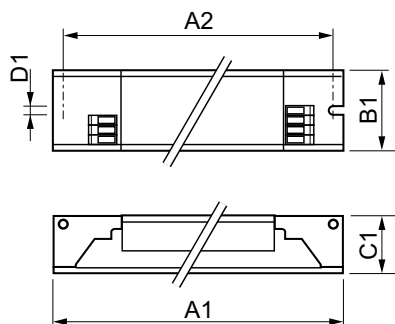
Approval and Application

Energy Efficiency Index	A2 BAT
IP Classification	IP 20 [Ingress Protection 20]
EMI 9 kHz ... 30 MHz	EN55015
EMI 30 MHz ... 1000 MHz	EN 55022 Class B
Safety Standard	IEC 61347-2-3
Performance Standard	IEC 60929
Quality Standard	ISO 9000:2000
Environmental Standard	ISO 14001
Harmonic Current Emission Standard	IEC 61000-3-2
EMC Immunity Standard	IEC 61547
Vibration Standard	IEC68-2-6 F c
Bumps Standard	IEC 68-2-29 Eb
Humidity Standard	EN 61347-2-3 clause 11
Approval Marks	CE marking ENEC certificate VDE-EMV certificate
Temperature Marking	Yes
Emergency Standard	IEC 60598-2-22
Hum And Noise Level	Inaudible

Product Data

Full product code	872790086249200
Order product name	HF-Pi 1 28/35/49/80 TL5 EII
EAN/UPC - Product	8711500881182
Order code	913700652566
Numerator - Quantity Per Pack	1
Numerator - Packs per outer box	12
Material Nr. (12NC)	913700652566
Net Weight (Piece)	0.247 kg

Dimensional drawing



HF-Pi 1 28/35/49/80 TL5 EII 220-240V

Product	D1	C1	A1	A2	B1
HF-Pi 1 28/35/49/80 TL5 EII	4.2 mm	22 mm	360 mm	350 mm	30 mm

HF-Performer Intelligent for TL5 HE/HO lamps

