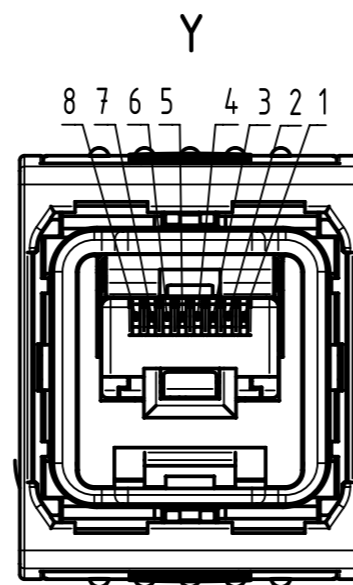
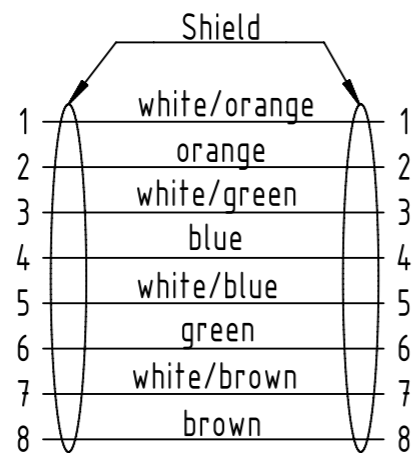


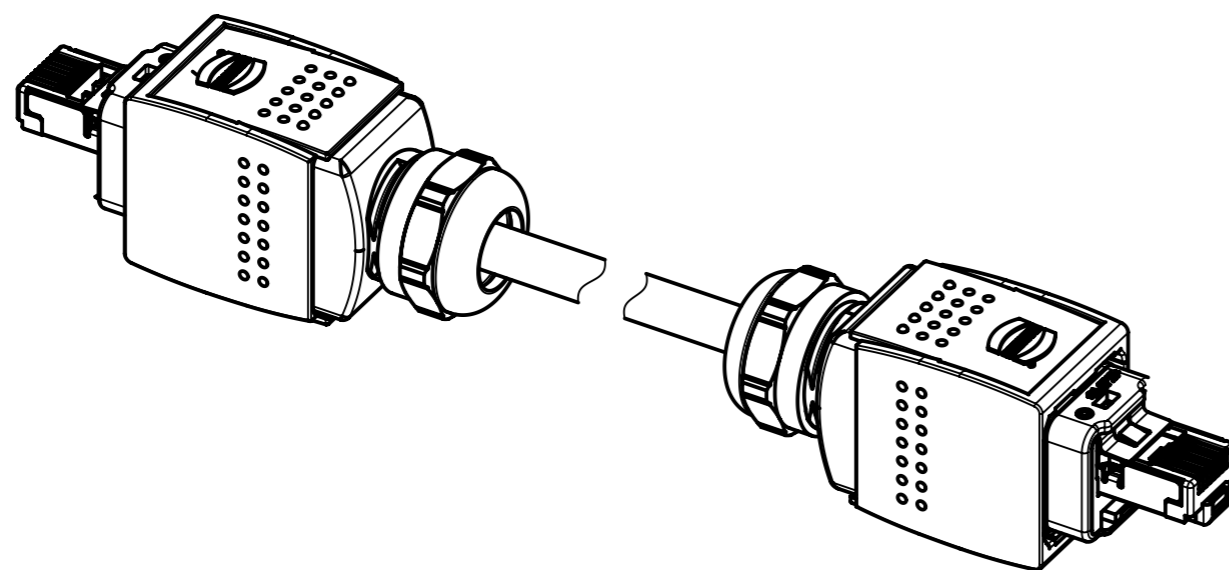
Loading-Plan  
acc. to TIA/EIA 568B



-Protection level: IP65/67  
-Temperature range: -40°C ...+70°C

6.0 to 100	±1%
0.6 to 5.9	+0.04
0.2 to 0.5	+0.02
<b>a [m]</b>	<b>Tolerance</b>

length in "1m" step	100	XXX=000
	99	XXX=990
	.	.
	12	XXX=120
	11	XXX=110
length in "0.1m" step	10	XXX=100
	9.9	XXX=099
	9.8	XXX=098
	.	.
	0.5	XXX=005
0.4	XXX=004	
0.3	XXX=003	
0.2	XXX=002	
<b>Step</b>	<b>a [m]</b>	<b>XXX</b>



PROFINET 4TP Type B Cable 8-wire, Cat. 6A, PVC, green	09481717165XXX
<b>Type of cable</b>	<b>Part no.</b>

All Dimensions in mm Original Size DIN A3		Scale 2:1	Free size tol.		Ref.
All rights reserved Department EC PD - RO		Created by MUNTEANV	Inspected by TAMAS	Standardisation HOFFMANN	Date 2016-02-03
HARTING Electronics GmbH D-32339 Espelkamp		Title RJ Industrial Cable Assembly			State Final Release
		Type TB	Number 09481717165XXX		Doc-Key / ECM-Nr. 100546053/UGD/002/D 50000099855
				Rev. D	Page 1/1