

# PCB terminal block - MKDS 3/ 6 - 1711301

Please be informed that the data shown in this PDF Document is generated from our Online Catalog. Please find the complete data in the user's documentation. Our General Terms of Use for Downloads are valid (<http://download.phoenixcontact.com>)



PCB terminal block, Nominal current: 24 A, Nom. voltage: 400 V, Pitch: 5 mm, Number of positions: 6, Connection method: Screw connection, Mounting: Soldering, Conductor/PCB connection direction: 0 °, Color: green, The article can be aligned to create different nos. of positions!

The illustration shows a 15-position version

## Key commercial data

<b>package_quantity</b>	50
<b>GTIN</b>	4017918257712

## classifications

### eCl@ss

<b>eCl@ss 4.0</b>	27141109
<b>eCl@ss 4.1</b>	27141109
<b>eCl@ss 5.0</b>	27141190
<b>eCl@ss 5.1</b>	27141190
<b>eCl@ss 6.0</b>	27261101
<b>eCl@ss 7.0</b>	27440401
<b>eCl@ss 8.0</b>	27440401

### ETIM

<b>ETIM 3.0</b>	EC001121
<b>ETIM 4.0</b>	EC002643
<b>ETIM 5.0</b>	EC002643

### UNSPSC

<b>UNSPSC 6.01</b>	30211801
<b>UNSPSC 7.0901</b>	39121432
<b>UNSPSC 11</b>	39121432
<b>UNSPSC 12.01</b>	39121432
<b>UNSPSC 13.2</b>	39121432


## approvals


CSA / UL Recognized / SEV / cUL Recognized / GOST / GL / CCA / GOST / cULus Recognized /

## Approval details


# PCB terminal block - MKDS 3/ 6 - 1711301

## approvals

		
Usegroups	B	D
Nominal voltage UN	300 V	300 V
Nominal current IN	10 A	10 A
mm <sup>2</sup> /AWG/kcmil	28-12	28-12

		
Usegroups	B	D
Nominal voltage UN	300 V	300 V
Nominal current IN	15 A	10 A
mm <sup>2</sup> /AWG/kcmil	30-12	30-12

<b>SEV</b>	
Nominal voltage UN	250 V
Nominal current IN	
mm <sup>2</sup> /AWG/kcmil	4

		
Usegroups	B	D
Nominal voltage UN	300 V	300 V
Nominal current IN	15 A	10 A
mm <sup>2</sup> /AWG/kcmil	30-12	30-12

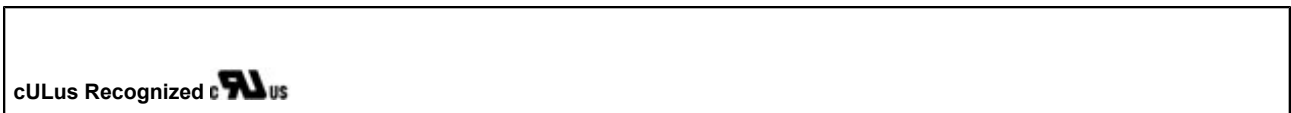
	
---	--

<b>GL</b>
-----------

<b>CCA</b>	
Nominal voltage UN	250 V
Nominal current IN	
mm <sup>2</sup> /AWG/kcmil	4

## PCB terminal block - MKDS 3/ 6 - 1711301

approvals



accessories

### Screwdriver tools

SZS 0,6X3,5 - 1205053



---

### Pitch spacer

RZ 1,25-MKDS 3 - 1703047



---

### Labeled terminal marker

SK 5/3,8:FORTL.ZAHLEN - 0804183



---

### Terminal marking

## PCB terminal block - MKDS 3/ 6 - 1711301

### accessories

SK 5/3,8:UNBEDRUCKT - 0805409



SK U/3,8 WH:UNBEDRUCKT - 0803906



### Marker pen

B-STIFT - 1051993



### Bridge

EBP 2- 5 - 1733169



EBP 3- 5 - 1733172



## PCB terminal block - MKDS 3/ 6 - 1711301

### accessories

EBP 4- 5 - 1733185



---

EBP 5- 5 - 1733198



---

EBP 6- 5 - 1733208



### accessories

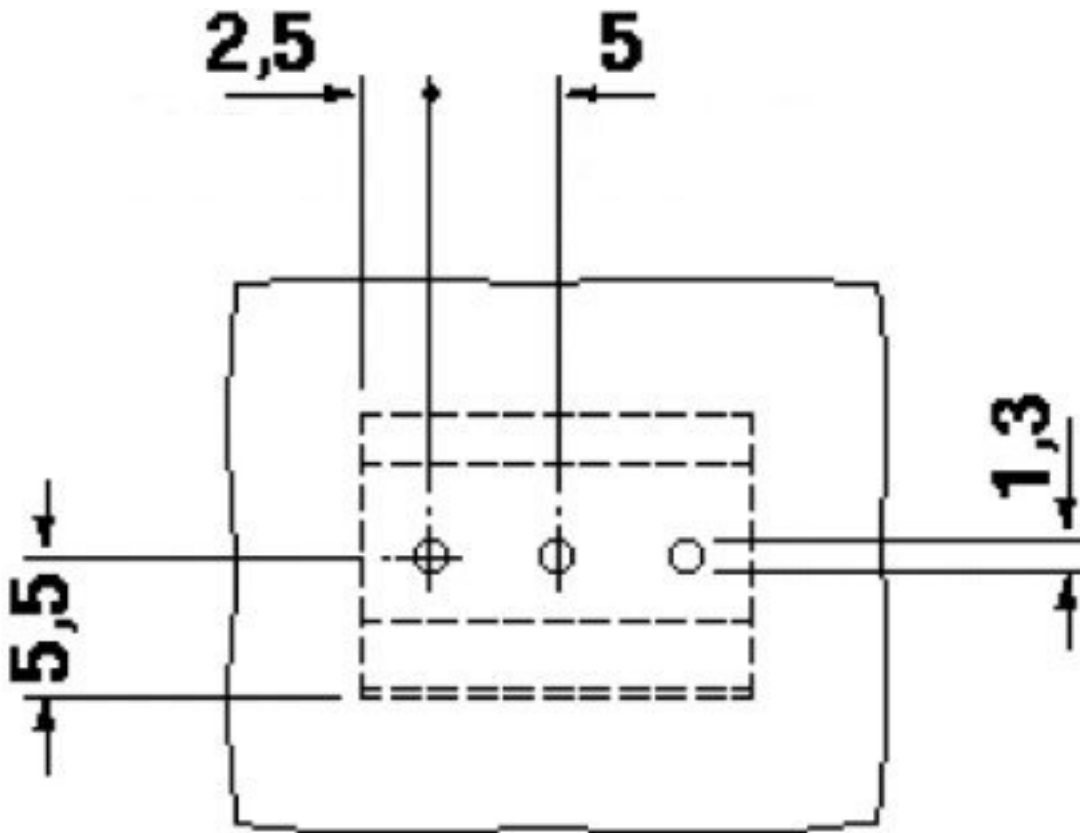
SK 5/3,8:SO - 0805072



### Drawings

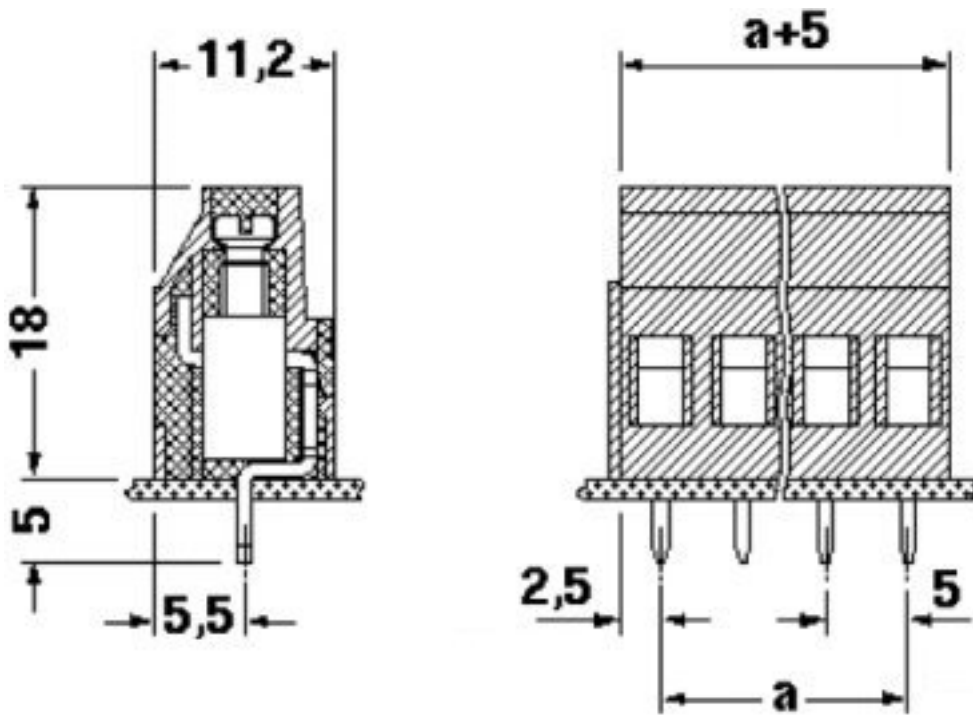
# PCB terminal block - MKDS 3/ 6 - 1711301

Drilling diagram



# PCB terminal block - MKDS 3/ 6 - 1711301

Dimensioned drawing



© Phoenix Contact 2013 - all rights reserved  
<http://www.phoenixcontact.com>