

**TECHNICAL SPECIFICATIONS**

**D-Sub Hood:**

Material: UL 94 V-0 Plastic Material  
 Plating: Nickel over Copper  
 Operating Temperature: -55°C to +110°C  
 Cable Entry: Top Entry  
 Thumbscrews: UNC 4-40 (Standard)  
 Cable O.D: Up to 11,5mm

**D-Sub Screw Connector:**

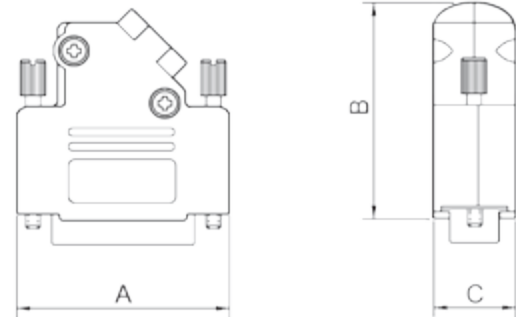
Insulator: Glass filled TP, UL94 V-0  
 Shell: Steel, Tin Plated  
 Contact pins: Machined Brass pins  
 15µ" Gold plated over Ni.  
 AWG Wire Size: AWG 18  
 Contact Plating: Gold flash over Nickel  
 Operating Temperature: -55°C to +85°C  
 Withstanding voltage: >1000V Rms to 50 Hz  
 for 1 minute  
 Current Rating: 7.5A  
 Insulator resistance: >5000MΩ min.

**Features:**

- Available in sizes 9-15-25
- 360° EMI Shielding
- Re-openable



...with Connectors from:  
**Amphenol**



Grommet Sizes D45PK-P:



Size D45PK-M	Dim A	Dim B	Dim C
9-way	31,0	36,3	15,0
15-way	39,5	40,3	15,0
25-way	53,2	40,3	15,0

**Ordering information:**

**Screw Connector D-Sub Connector Kits**

Size:	P/N - Kitted:	Product Code - MALE Conn. Kit
9-way	6355-5018-01	D45PK-M-09+L717SDE09PST
15-way	6355-5018-02	D45PK-M-15+L717SDA15PST
25-way	6355-5018-03	D45PK-M-25+L717SDB25PST

Size:	P/N - Kitted:	Product Code - FEMALE Conn. Kit
9-way	6355-5018-11	D45PK-M-09+L77SDE09SST
15-way	6355-5018-12	D45PK-M-15+L77SDA15SST
25-way	6355-5018-13	D45PK-M-25+L77SDB25SST



**Encitech AB**  
 Rörkullsvägen 4  
 SE-302 41 HALMSTAD, Sweden

Tel.: +46-(0)35-15 13 90  
 Fax: +46-(0)35-15 13 99

**www.encitech.com**