






Cable Plug DIN EN 175301-803 - Form A

- Versions with protective circuits with or without LED
- Easy connection and reliable contacting
- Approval UR and CSA (depending on version)
- Available with and without cable

Product variants described in the data sheet may differ from the product presentation and description.

Can be combined with

	Type 6013 Plunger valve 2/2 way direct-acting	▶
	Type 0330 Direct-acting 2/2 or 3/2-way pivoted armature valve	▶
	Type 6213 Servo-assisted 2/2 way diaphragm valve	▶

Type description

Plug for the connection of electrical components according to DIN EN 175301-803 Form A. Type 2518 offers easy connection of cables as well as reliable contacting. A wide range of protective circuits with or without LED are available.

Table of contents

1. General technical data	3
<hr/>	
2. Materials	4
2.1. Chemical Resistance Chart – Bürkert resistApp.....	4
2.2. Version with UR-Approval, field attachable	4
2.3. Version without UR-Approval, field attachable	5
2.4. Version with cable.....	5
<hr/>	
3. Dimensions	6
3.1. Cable plug without cable (field attachable version).....	6
3.2. Cable plug with cable (moulded version).....	7
<hr/>	
4. Performance specifications	8
4.1. Derating diagram	8
Versions without wiring, 2 pin and 3 pin.....	8
Versions without wiring, 2 pin and 3 pin, moulded.....	8
Versions with LED or varistor or LED and varistor, field attachable version.....	9
Versions with LED or varistor or LED and varistor, moulded	9
Versions with bridge rectifier, varistor with and without LED, field attachable version	9
Versions with bridge rectifier, varistor with and without LED, moulded	10
Versions with pole protection diode, free-wheeling diode with and without LED, field attachable version	10
Versions with pole protection diode, free-wheeling diode with and without LED, moulded	11
<hr/>	
5. Ordering information	11
5.1. Bürkert eShop – Easy ordering and quick delivery.....	11
5.2. Bürkert product filter.....	11
5.3. Ordering chart.....	12
Cable plug without cable (field attachable version).....	12
Cable plug with cable (moulded version).....	13
5.4. Ordering chart accessories.....	14
Sealing kits.....	14

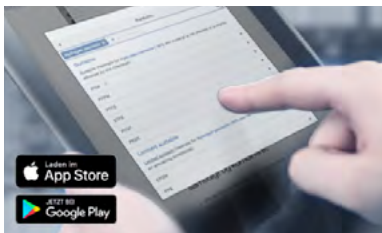
1. General technical data

Product properties	Field attachable cable plug (without cable)	Moulded cable plug (with cable)
Materials		
Cover	Polyamide	–
Contact	Brass	Brass
Seal	NBR (Standard) EPDM and silicone can be ordered as a set	TPU, moulded
Cable	–	PUR
Cable outlet	Can be rotated through 4x90°	On or opposite PE
Cable gland	M16x1.5	–
Transition resistance	≤ 10 mΩ Standard	≤ 10 mΩ Standard
Number of poles	See “5.3. Ordering chart” on page 12	See “5.3. Ordering chart” on page 12
Operating display	Yellow LED, if available	Yellow LED, if available
Electrical data		
Nominal voltage	Depends on the version Detailed information can be found in chapter “5. Ordering information” on page 11.	Depends on the version Detailed information can be found in chapter “5. Ordering information” on page 11.
Medium data		
Continuous maximum temperature^{1.)}		
Cable plug	-40 °C...+125 °C	-25 °C...+85 °C
Seal NBR	-30 °C...+90 °C	–
Seal EPDM	-40 °C...+125 °C	–
Seal silicone	-55 °C...+140 °C	–
Approvals and Certificates		
Protection class	IP65 / IP67 (see “5.3. Ordering chart” on page 12)	IP65 / IP67
UL E315587, Vol.1, Sec. 4 UL2238, CSA E315587, CSA-22.2 No. 182	All versions with clamping ring and without LED	–
VDE	All versions except pole protection and free-wheeling diode with or without LED	All versions except pole protection and free-wheeling diode with or without LED
Process/Port connection & communication		
Connection type	Screw terminal	–
Electrical connection	Acc. DIN EN 175301 - 803 Form A	Acc. DIN EN 175301 - 803 Form A
Plug cycles	Max. 50	Max. 50
Suitable cables	Ø 6.0...Ø 8.0 mm with UR approval Ø 4.5...Ø 10.0 mm without UR approval	–
Conductor size	0.25 mm ² ...1.5 mm ²	0.75 mm ²

1.) Note derating (see [“4.1. Derating diagram” on page 8](#))!

2. Materials

2.1. Chemical Resistance Chart – Bürkert resistApp



Bürkert resistApp – Chemical Resistance Chart

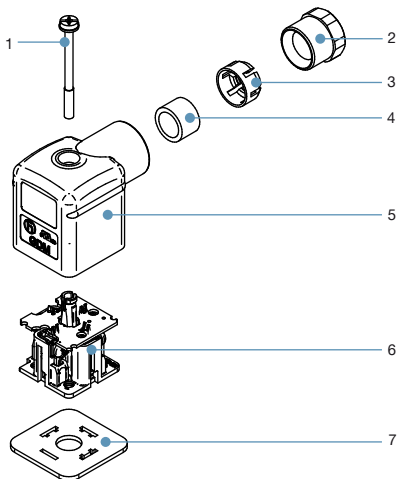
You want to ensure the reliability and durability of the materials in your individual application case? Verify your combination of media and materials on our website or in our resistApp.

[Start Chemical Resistance Check](#)

2.2. Version with UR-Approval, field attachable

Available circuitry:

- Without circuitry
- With varistor
- With bridging rectifier and varistor
- With pole protection diode and free wheeling diode



No.	Element	Material
1	Central screw	Stainless steel
2	Pressure screw	Polyamide
3	Clamping ring	–
4	Seal	–
5	Cover	Polyamide
6	Contact holder	Polyamide
7	Seal	NBR

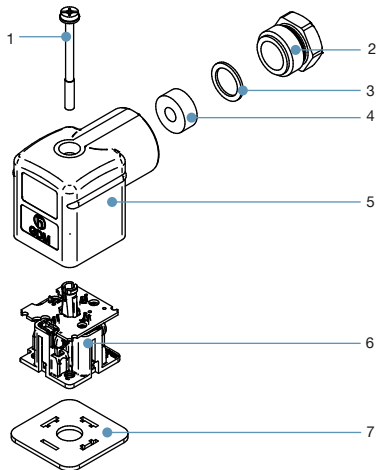
2.3. Version without UR-Approval, field attachable

Available circuitry:

- Without circuitry (only in PU 200 pieces see “Cable plug without cable (field attachable version)” on page 12)
- With LED
- With LED and varistor
- With LED, bridging rectifier and varistor
- With pole protection diode, free wheeling diode and LED

Note:

All versions with LED have no UR approval.



No.	Element	Material
1	Central screw	Stainless steel
2	Pressure screw	Polyamide
3	Pressure ring	-
4	Seal	-
5	Cover	Polyamide
6	Contact holder	Polyamide
7	Seal	NBR

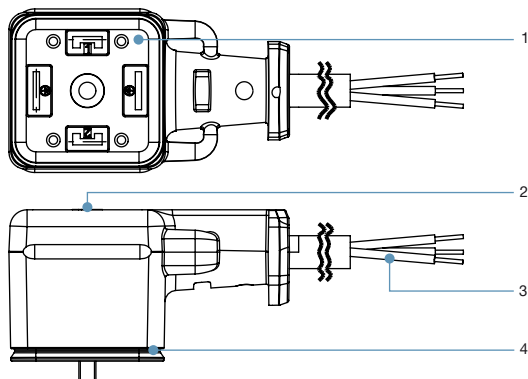
2.4. Version with cable

Available circuitry:

- Without circuitry
- With LED
- With varistor
- With bridging rectifier and varistor
- With LED and varistor
- With LED, bridging rectifier and varistor
- With pole protection diode and free wheeling diode
- With pole protection diode, free wheeling diode and LED

Note:

All versions with cable do not have UR approval.



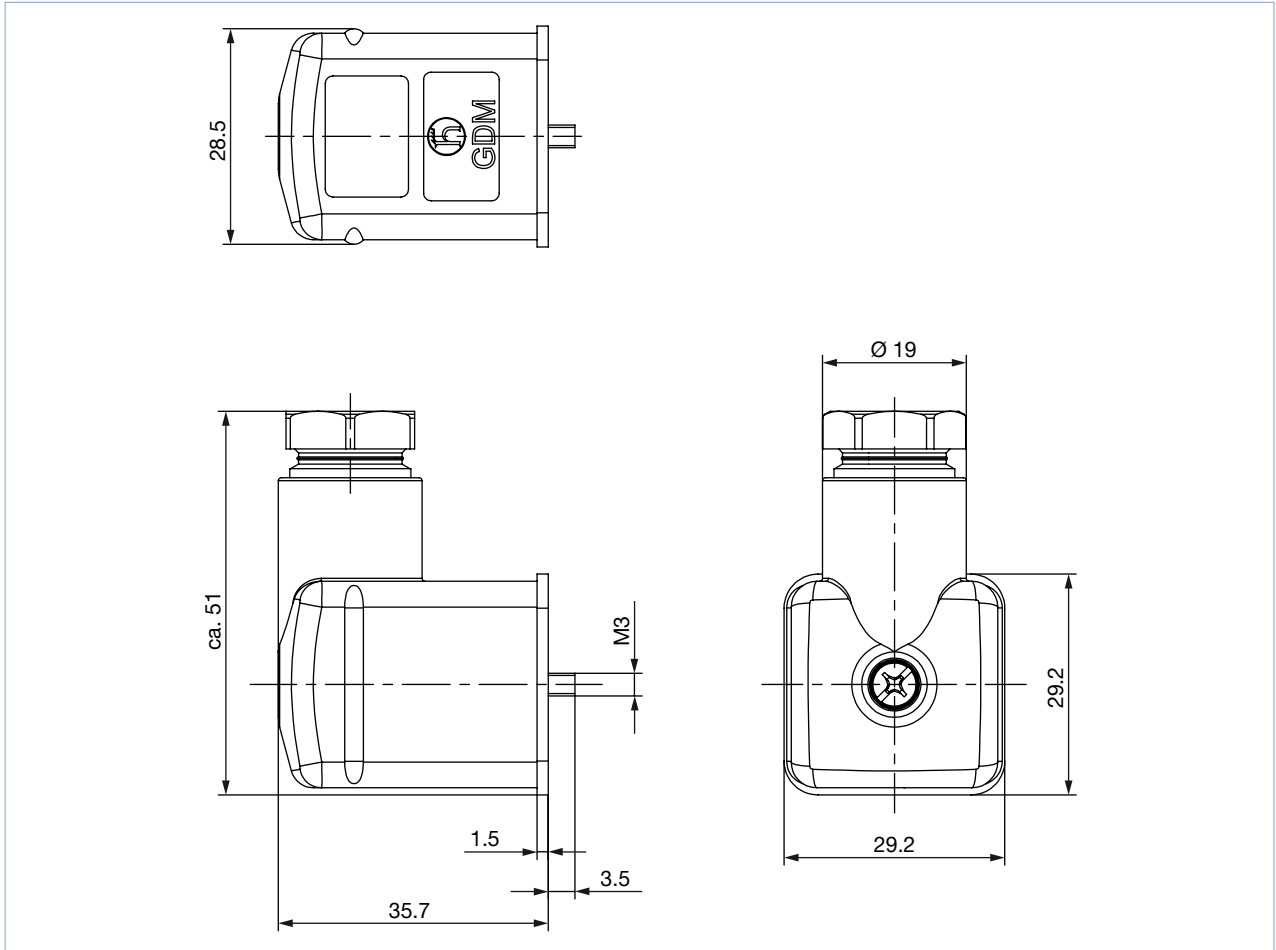
No.	Element	Material
1	Contact holder	PBT GF
2	Central screw	V2 A
3	Cable	PUR
4	Seal moulded on	TPU

3. Dimensions

3.1. Cable plug without cable (field attachable version)

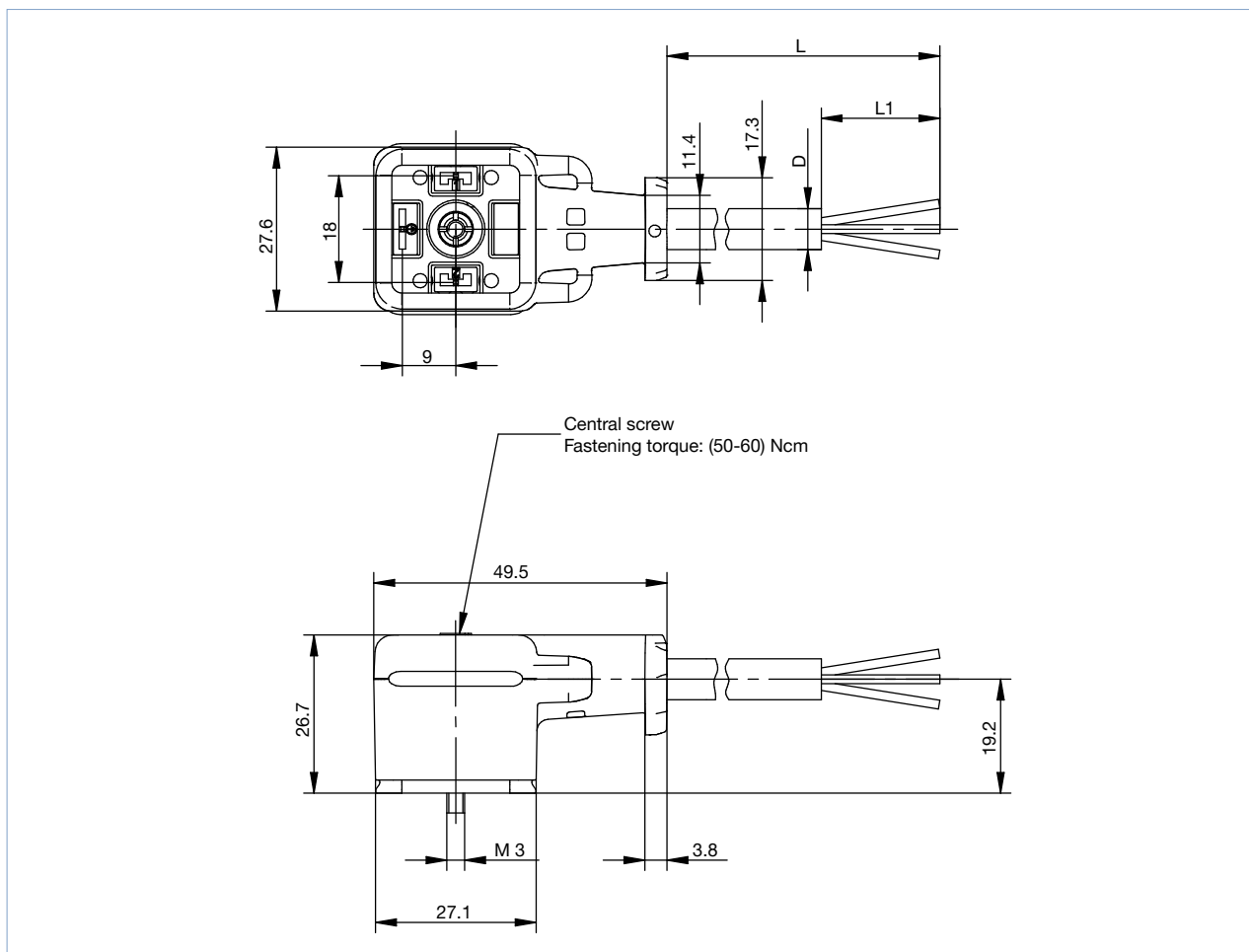
Note:

Dimensions in mm



3.2. Cable plug with cable (moulded version)

Note:
Dimensions in mm



Note on the length tolerances:

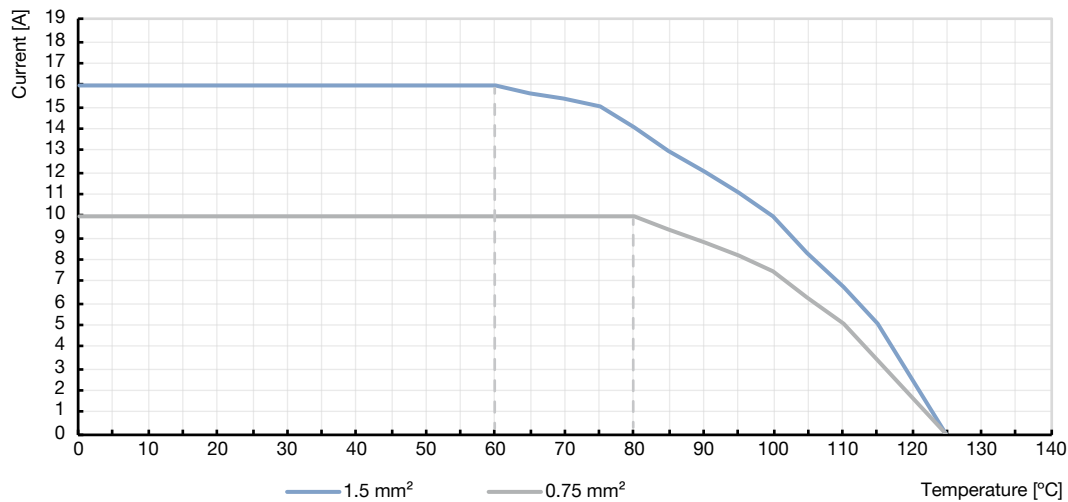
Cable length prefabricated part		Stripping length
L	Tolerances of L	L1
<1 m	-10/+20	60±1
<1...2 m	-20/+50	60±1
>2...5 m	-40/+70	60±1
>5...10 m	-90/+120	60±1
>10 m	-120/+140	60±1

4. Performance specifications

4.1. Derating diagram

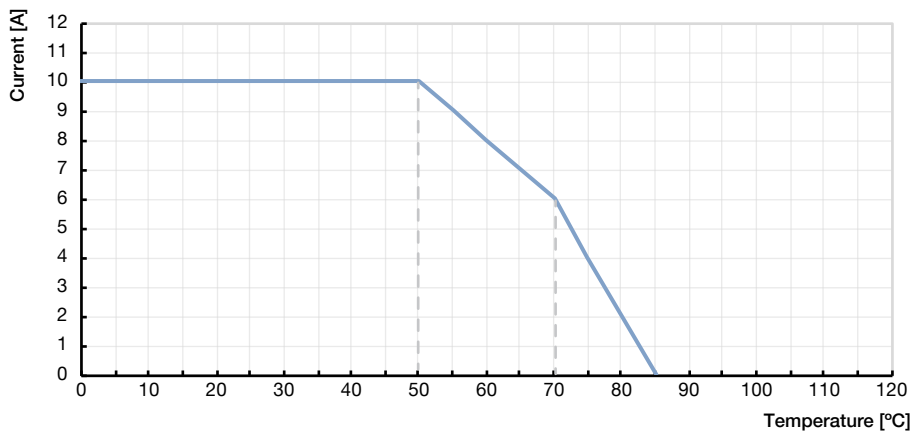
Versions without wiring, 2 pin and 3 pin

Derating DIN EN 175301-803



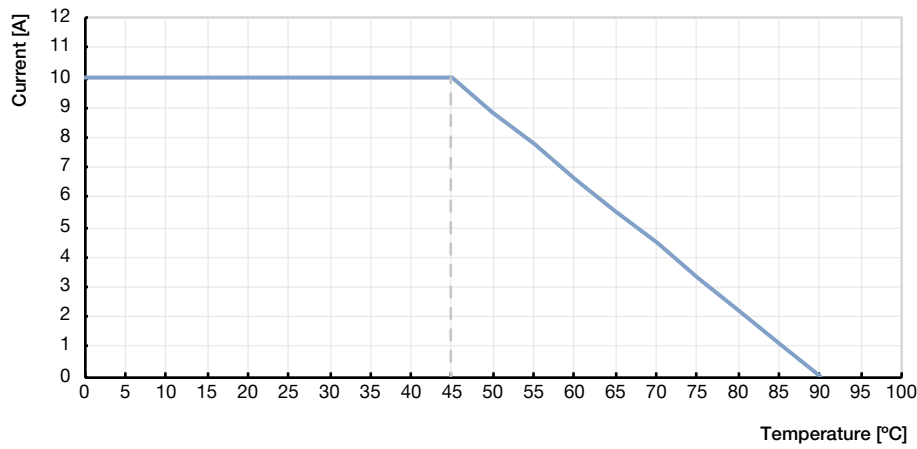
Versions without wiring, 2 pin and 3 pin, moulded

Derating DIN EN 60512-5-2



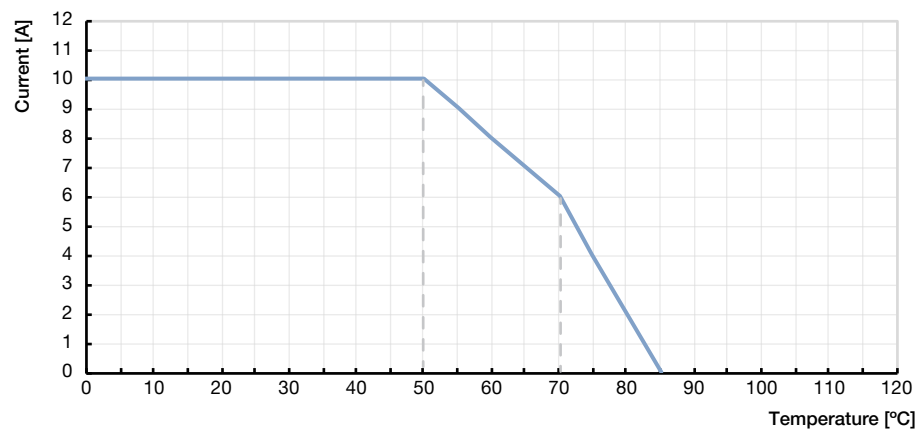
Versions with LED or varistor or LED and varistor, field attachable version

Derating - LED, LED and varistor



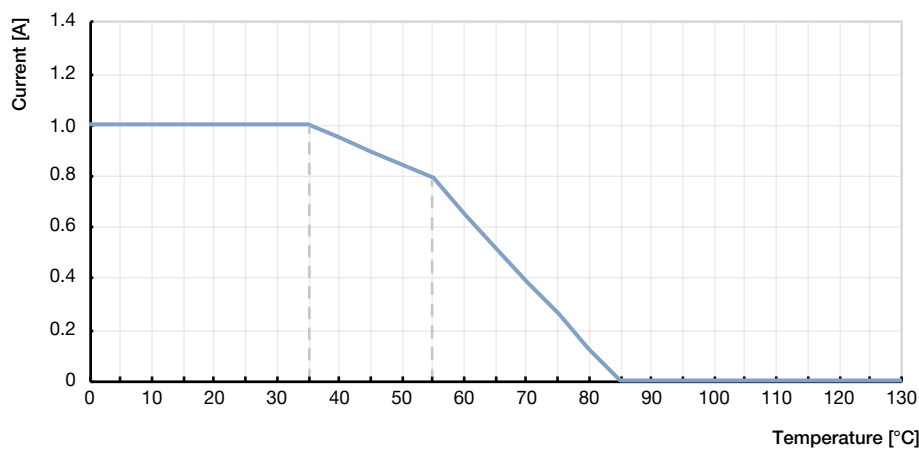
Versions with LED or varistor or LED and varistor, moulded

Derating DIN EN 60512-5-2



Versions with bridge rectifier, varistor with and without LED, field attachable version

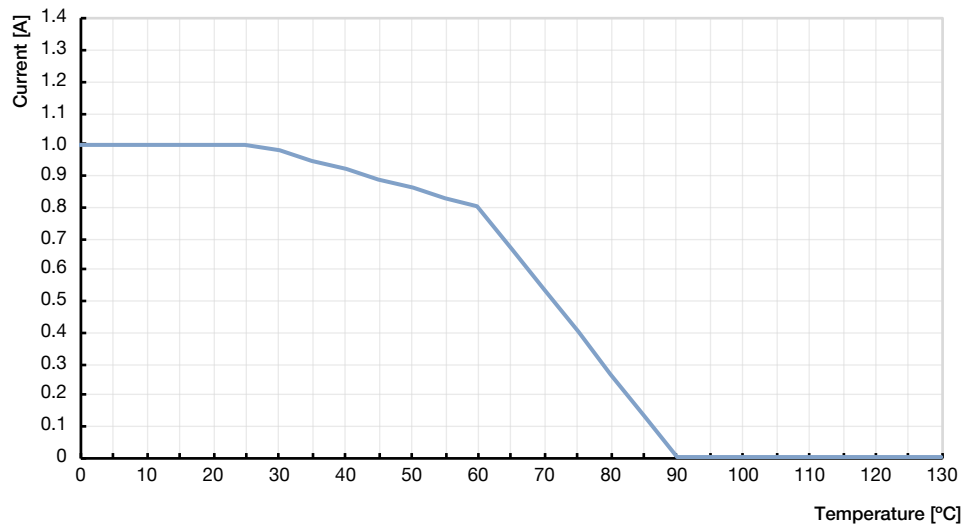
Derating DIN EN 60512-5-2



DTS 1000386347 EN Version: B Status: RL (released | freigegeben | valide) printed: 22.07.2021

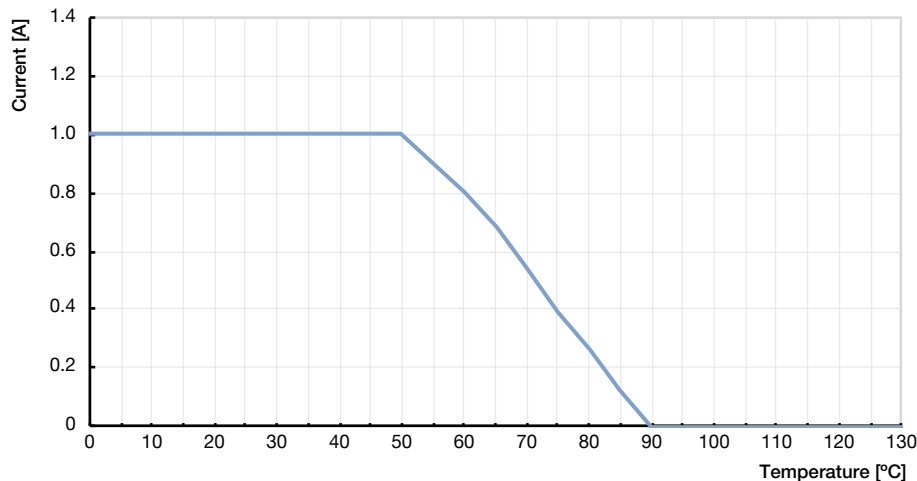
Versions with bridge rectifier, varistor with and without LED, moulded

Derating DIN EN 60512-5-2



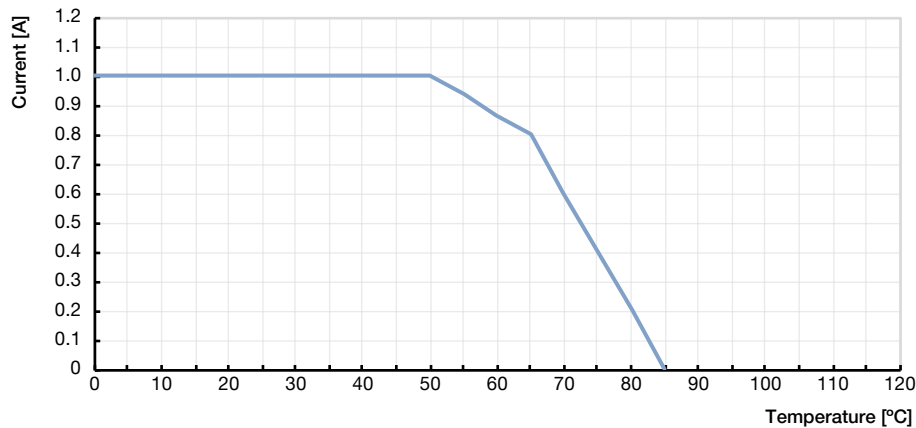
Versions with pole protection diode, free-wheeling diode with and without LED, field attachable version

Derating DIN EN 60512-5-2



DTS 1000386347 EN Version: B Status: RL (released | freigegeben | validé) printed: 22.07.2021

Versions with pole protection diode, free-wheeling diode with and without LED, moulded
Derating DIN EN 60512-5-2



5. Ordering information

5.1. Bürkert eShop – Easy ordering and quick delivery



Bürkert eShop – Easy ordering and fast delivery

You want to find your desired Bürkert product or spare part quickly and order directly? Our online shop is available for you 24/7. Sign up and enjoy all the benefits.

[Order online now](#)

5.2. Bürkert product filter



Bürkert product filter – Get quickly to the right product

You want to select products comfortably based on your technical requirements? Use the Bürkert product filter and find suitable articles for your application quickly and easily.

[Try out our product filter](#)

5.3. Ordering chart

Cable plug without cable (field attachable version)

Note:

Delivery in poly bag with stainless steel screw and NBR seal.

Circuitry	Operating voltage	Rated voltage	Continuous current	Number of poles without cable	Protection class without cable	Article no. acc. to voltage/frequency [V/Hz]
Without circuit						
	230 V AC/DC 300 V AC/DC (UL)	250 V (VDE) 300 V (UL)	10 A, (VDE, UL) 8 A, (CSA)	2+PE	IP65/IP67	314802 ¹⁾
	230 V AC/DC	250 V	10 A (VDE)	2+PE	IP65	314803 ²⁾
Without circuit, 3-pins, protective earth conductor						
	230 V AC/DC 300 V AC/DC (UL)	250 V (VDE) 300 V (UL)	10 A (VDE)	3+PE	IP65/IP67	315329 ¹⁾
With LED						
	24 V AC/DC	30 V	10 A	2+PE	IP65	314812 ¹⁾
	120 V AC/DC	150 V	10 A	2+PE	IP65	315330 ¹⁾
	230 V AC/DC	250 V	10 A	2+PE	IP65	315334 ¹⁾
With Rectifier, LED and varistor						
	24 V AC/DC	30 V	1 A	2+PE	IP65	314816 ¹⁾
	120 V AC/DC	150 V	1 A	2+PE	IP65	315338 ¹⁾
	230 V AC/DC	250 V	1 A	2+PE	IP65	315342 ¹⁾
With LED and varistor						
	24 V AC/DC	30 V	10 A	2+PE	IP65	314820 ¹⁾
	120 V AC/DC	150 V	10 A	2+PE	IP65	315346 ¹⁾
	230 V AC/DC	250 V	10 A	2+PE	IP65	314825 ¹⁾
With varistor						
	24 V AC/DC	30 V	10 A	2+PE	IP65/IP67	314826 ¹⁾
	230 V AC/DC	250 V	10 A	2+PE	IP65/IP67	315353 ¹⁾
With pole protection, free wheeling diode and LED						
	24 V DC	30 V	1 A	2+PE	IP65	315357 ¹⁾
With pole protection and free wheeling diode						
	230 V DC	250 V	1 A	2+PE	IP65/IP67	314830 ¹⁾

DTS 1000386347 EN Version: B Status: RL (released | freigegeben | valide) printed: 22.07.2021

Circuitry	Operating voltage	Rated voltage	Continuous current	Number of poles without cable	Protection class without cable	Article no. acc. to voltage/frequency [V/Hz]
With rectifier and varistor						
	230 V AC/DC	250 V	1 A	2+PE	IP65/IP67	314839 ⁴⁾

1.) cURus approval E315587

2.) Only available as PU of 200 pieces and with galvanized steel screw and NBR sealing.

Cable plug with cable (moulded version)

Note:

Delivery in poly bag with stainless steel screw and NBR seal.

Circuitry	Operating voltage	Rated voltage	Continuous current	Number of poles with cable	Protection class with cable	Article no. acc. to voltage/frequency [V/Hz]		
						With 1 m cable	With 3 m cable	With 5 m cable
Without circuit								
	230 V AC/DC	250 V AC/DC	10 A	2+2PE	IP65/IP67	314806 ⁴⁾	314807 ⁴⁾	314808 ⁴⁾
Without circuit, 3-pins, protective earth conductor								
	0...250 V AC/DC	10 A (VDE)	3+PE	IP65/IP67	IP65/IP67	314809 ⁴⁾	314810 ⁴⁾	314811 ⁴⁾
With LED								
	12...24 V AC/DC	10 A	2+2PE	IP65	IP65/IP67	314813 ⁴⁾	314814 ⁴⁾	314815 ⁴⁾
	100...120 V AC/DC	10 A	2+2PE	IP65	IP65/IP67	315331 ⁴⁾	315332 ⁴⁾	315333 ⁴⁾
	200...240 V AC/DC	10 A	2+2PE	IP65	IP65/IP67	315335 ⁴⁾	315336 ⁴⁾	315337 ⁴⁾
With Rectifier, LED and varistor								
	12...24 V AC/DC	1 A	2+PE	IP65	IP65/IP67	314817 ⁴⁾	314818 ⁴⁾	314819 ⁴⁾
	100...120 V AC/DC	1 A	2+PE	IP65	IP65/IP67	315339 ⁴⁾	315340 ⁴⁾	315341 ⁴⁾
	200...240 V AC/DC	1 A	2+PE	IP65	IP65/IP67	315343 ⁴⁾	315344 ⁴⁾	315345 ⁴⁾
With LED and varistor								
	12...24 V AC/DC	10 A	2+2PE	IP65	IP65/IP67	314821 ⁴⁾	314822 ⁴⁾	314824 ⁴⁾
	100...120 V AC/DC	10 A	2+2PE	IP65	IP65/IP67	315347 ⁴⁾	315348 ⁴⁾	315349 ⁴⁾
	200...240 V AC/DC	10 A	2+2PE	IP65	IP65/IP67	315350 ⁴⁾	315351 ⁴⁾	315352 ⁴⁾
With varistor								
	12...24 V AC/DC	10 A	2+2PE	IP65/IP67	IP65/IP67	314827 ⁴⁾	314828 ⁴⁾	314829 ⁴⁾
	200...240 V AC/DC	10 A	2+2PE	IP65/IP67	IP65/IP67	315354 ⁴⁾	315355 ⁴⁾	315356 ⁴⁾

DTS 1000386347 EN Version: B Status: RL (released | freigegeben | valide) printed: 22.07.2021

Circuitry	Operating voltage	Rated voltage	Continuous current	Number of poles with cable	Protection class with cable	Article no. acc. to voltage/frequency [V/Hz]		
						With 1 m cable	With 3 m cable	With 5 m cable
With pole protection, free wheeling diode and LED								
	12...24 V DC	1 A	2+2PE	IP65	IP65/IP67	315358	314837	314838
With pole protection and free wheeling diode								
	12...240 V DC	1 A	2+2PE	IP65/IP67	IP65/IP67	314831	314832	314833
With rectifier and varistor								
	220...240 V AC/DC	1 A	2+PE	IP65/IP67	IP65/IP67	314840	314841	314842

Further versions on request



Material

Further seal materials on request

5.4. Ordering chart accessories

Sealing kits

Note:

Please note that the screw kit is only suitable for ready-made versions.

Description	Material	Packaging unit	Article no.
Sealing kit SC02-2518-700	EPDM	50 pieces	356539
Sealing kit SC02-2518-700	Silicone	50 pieces	356537
Sealing kit SC02-2518-700	NBR	50 pieces	20005658
Screw kit SC02-2518-700	Stainless steel	100 pieces	356540

Bürkert – Close to You

For up-to-date addresses
please visit us at
www.burkert.com

DTS 1000386347 EN Version: B Status: RL (released | freigegeben | validé) printed: 22.07.2021

