

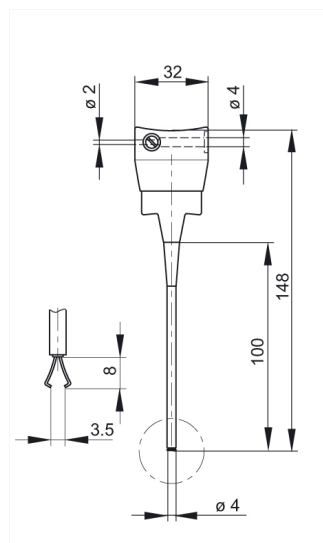
KLEPS 60 schwarz/black

Industrial Connectors:Measuring and Testing Equipment:Clamp-type test probes:4 mm system

Product description

Description	Clamp-type test probe grip jaws and flexible shaft. The special form of the grip jaws permits clamping of pins and wires up to a maximum of 4 mm diameter. 4 mm diameter brass socket connection with additional screw connection, grip jaws additionally nickel-plated.
Type	KLEPS 60 schwarz/black
Order No.	973 053-100
System	4 mm system
Clamping range	4 mm
Clamp type	grip jaws
Housing Color	black
Other standard types	red color, order no. 973 053-101

Drawing



Technical data

Type of contact	socket
Type of termination	4 mm socket, 2 mm screw
Rated voltage	DC 60 V
Contact resistance	50 mOhm

Material

Contact material	spring steel wire
Contact surface material	nickel-plated
Housing material	PBT

Environmental conditions

Temperature range	-25 °C to +60 °C
-------------------	------------------

Inflammability class

Housing	94 HB
---------	-------