



Switched neutral

Part no.
Article no.

N-P1E
000651



Powering Business Worldwide™

Early-make, late-break

Program

Range			Accessories
			Neutral conductor contacts
			Early-make switching-on behavior, late-break switching-off behavior The N contact always behaves as an early-make contact when switching on and as a late-break contact when switching off. N-P1(P3)... switching capacity same as for contacts P1(P3)-... For left or right side mounting
For use with			P1-.../E, .../EA, .../EZ

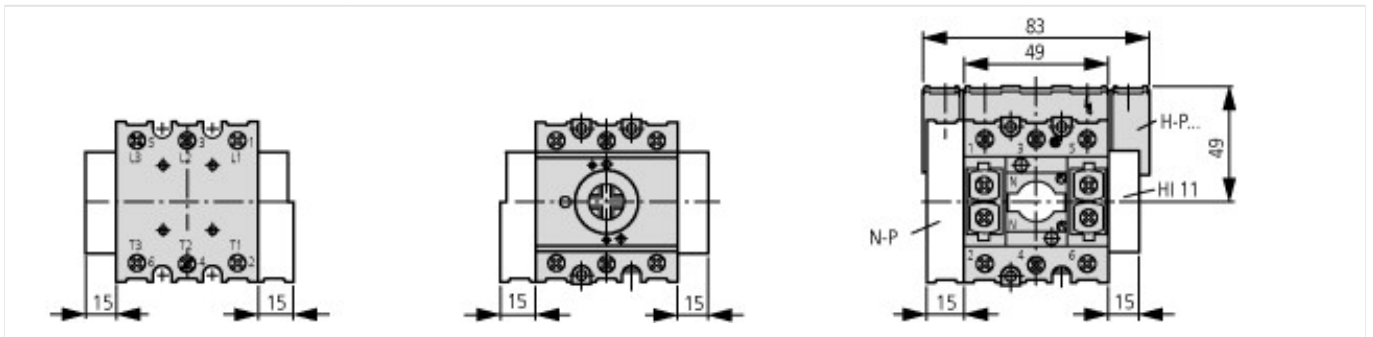
Approbationen

UL approval	Yes
CSA approval	Yes
Product Standards	UL 508; CSA-C22.2 No. 14-05; IEC/EN 60947-3; CE marking
UL File No.	CSA report applies to both Canada and US
UL CCN	-
CSA File No.	12528
CSA Class No.	3211-05
NA Certification	UL listed, CSA certified

Technical data according to ETIM 4.0

Number of auxiliary contacts as normally open contact			0
Number of auxiliary contacts as normally closed contact			0
Rated permanent current I _u		A	0
Number of poles			0
Conditioned rated short-circuit current I _q		kA	0
Degree of protection (IP), front side			-
Number of auxiliary contacts as change-over contact			0
Interlockable			No
Motor drive integrated			No
Connection type main current circuit			Screw connection
Version as emergency stop installation			No
Type of control element			-
Version as main switch			No
Version as switch disconnecter compact			No
Version as safety switch			No
Version as maintenance-/service switch			No
Rated operation power at AC-23, 400V		kWh	0
Rated operation power AC-3, 400 V		kWh	0
Suitable for ground mounting			No
Suitable for front mounting			No
Suitable for front mounting center			No
Suitable for distribution board installation			No
Suitable for intermediate mounting			No
Max. rated operation voltage U _e AC		V	0
Motor drive optional			No
Voltage release optional			No
Device construction			-

Dimensions



Additional product information (links)

Engineering

Technical overview	ftp://ftp.moeller.net/DOCUMENTATION/PDF/GB/Ovt_t_p_Leistung_G.pdf
Key to part numbers, modular system	ftp://ftp.moeller.net/DOCUMENTATION/PDF/GB/Ovt_t_p_Typenschluessele_G.pdf
Ordering of non-standard switches	ftp://ftp.moeller.net/DOCUMENTATION/PDF/GB/Bestellformulare_de.pdf