



# RSF40 Series

## Compact Internal Fitting



- **Compact design**
- **Flying Lead or M12 plug connection**
- **Available in Nylon, Polypropylene, PPS or PVDF**
- **25VA & 100V Versions**
- **Many variants are UL recognised components File No. E171218**
- **WRAS Approved versions available**



The RSF40 series is designed as a compact internal fitting device, with a wide range of options, making this ideal for size sensitive applications. Mounting of this series requires access to the inside of the tank.

Typical applications include vending machines, commercial washing machines and evaporator units.

They are manufactured in a variety of materials with a choice of gasket materials, to suit most commonly used liquids.

The switch action may be reversed by rotating the device through 180°.

Available with flying leads or M12 socket for electrical connection. Cable sets with M12 plugs are also available.

Custom versions can be made for particular applications.

Technical Specification	RSF43	RSF44	RSF48	RSF46	RSF47
Material	Nylon	Polypropylene WRAS approved	Polypropylene UL approved	Polyphenylene Sulphide (PPS)	Polyvinylidene Fluoride (PVDF)
Colour	Black	Opaque	White	Grey	Green
Temp. Range °C	-20 / +75	-20 / +100	-20 / +100	-10 / +120 *	-10 / +105
°F	-4 / +167	-4 / +212	-4 / +212	+14 / +248 *	+14 / +221
Min. Fluid SG	0.85	0.85	0.80	0.80	0.85
Must close level (SG=1)	7mm	8mm	8mm	9mm	9mm
Must open level (SG=1)	20mm	20mm	20mm	24mm	24mm

\* Maximum temperature requires ETFE cable to be specified.

Electrical Specification	25W (Y code)	100W (H code)
Contact Form	N/O (N/C)	N/O (N/C)
Switching Power Max	VA	25
Switching Voltage AC Max	V	240
Switching Voltage DC Max	V	120
Switching Current Max	A	0.6

All ratings are for resistive load only.

Standard Parts	Material	Max Power	Leadouts	Gasket	Approvals
RSF43H100RF	Nylon	100VA	100cm PVC 16/0.2	Nitrile	WRAS
RSF43Y100RF	Nylon	25VA	100cm PVC 16/0.2	Nitrile	WRAS
RSF44H100RF	PP	100VA	100cm PVC 16/0.2	Nitrile	WRAS
RSF44Y100RF	PP	25VA	100cm PVC 16/0.2	Nitrile	WRAS
RSF46H050TG	PPS	100VA	50cm ETFE 19/0.2	Viton	UL
RSF46H100RF	PPS	25VA	100cm PVC 16/0.2	Nitrile	WRAS & UL
RSF46Y050TG	PPS	25VA	50cm ETFE 19/0.2	Viton	UL
RSF46Y100TG	PPS	25VA	100 cm ETFE 19/0.2	Viton	UL
RSF46Y100RF	PPS	25VA	100cm PVC 16/0.2	Nitrile	WRAS & UL
RSF47Y100GF	PVDF	25VA	100cm PTFE 7/0.2	Nitrile	UL*
RSF47H100GF	PVDF	100VA	100cm PTFE 7/0.2	Nitrile	UL*
RSF47Y100GG	PVDF	25VA	100cm PTFE 7/0.2	Viton	UL*
RSF47H100GG	PVDF	100VA	100cm PTFE 7/0.2	Viton	UL*
RSF48H100RF	PP (UL)	100VA	100cm PVC 16/0.2	Nitrile	UL
RSF48Y100RF	PP (UL)	25VA	100cm PVC 16/0.2	Nitrile	UL
RSF43HFP	Nylon	100VA	M12 connector	Nitrile	WRAS
RSF43YFP	Nylon	25VA	M12 connector	Nitrile	WRAS
RSF44HFP	PP	100VA	M12 connector	Nitrile	WRAS
RSF44YFP	PP	25VA	M12 connector	Nitrile	WRAS
RSF46HFP	PPS	100VA	M12 connector	Nitrile	WRAS & UL
RSF46YFP	PPS	25VA	M12 connector	Nitrile	WRAS & UL
RSF47YFP	PVDF	25VA	M12 connector	Nitrile	UL*
RSF47HFP	PVDF	100VA	M12 connector	Nitrile	UL*
RSF47YGP	PVDF	25VA	M12 connector	Viton	UL*
RSF47HGP	PVDF	100VA	M12 connector	Viton	UL*
RSF48HFP	PP (UL)	100VA	M12 connector	Nitrile	UL
RSF48YFP	PP (UL)	25VA	M12 connector	Nitrile	UL

\* UL approval pending

Cynergy3 Components Ltd.  
7 Cobham Road  
Ferndown Industrial Estate  
Wimborne, Dorset BH21 7PE  
Telephone +44 (0) 1202 897969  
Email:sales@cynergy3.com

ISO9001 CERTIFIED

RSF40 2016

© 2016 Cynergy3 Components, All Rights Reserved. Specifications are subject to change without prior notice. Cynergy3 Components and the Cynergy3 Components logo are trademarks of Cynergy3 Components Limited.

www.cynergy3.com

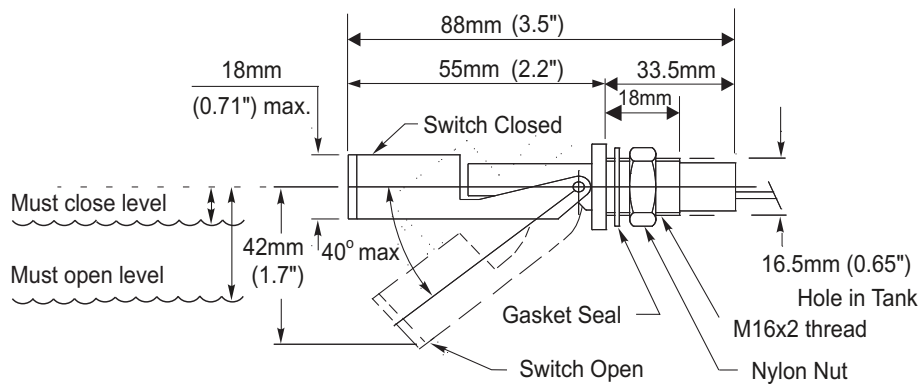


# RSF40 Series

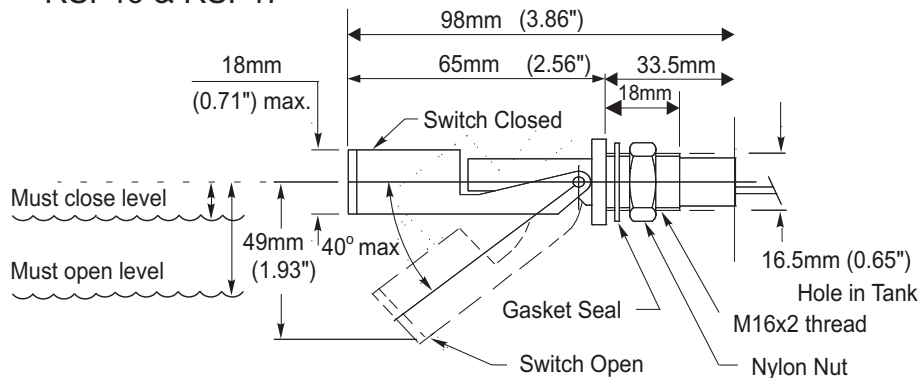
## Compact Internal Fitting

### Mechanical Dimensions

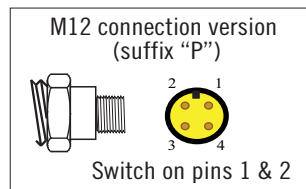
RSF43, RSF44 & RSF48



RSF46 & RSF47



### Electrical Connections



Cynergy3 Components Ltd.  
7 Cobham Road  
Ferndown Industrial Estate  
Wimborne, Dorset BH21 7PE  
Telephone +44 (0) 1202 897969  
Email:sales@cynergy3.com

ISO9001 CERTIFIED

www.cynergy3.com