

# Inline filter with filter element according to DIN 24550

## Type 445LEN0040 to 1000

**RE 51423**

Issue: 2014-08

Replaces: 09.12



HAD7826\_d

- ▶ Sizes according to **DIN 24550**: 0040 to 1000
- ▶ Nominal pressure 450 bar [6527 psi]
- ▶ Connection up to 2", SAE 2 1/2", SAE 24
- ▶ Operating temperature: -10 °C ... +100 °C [+14 °F ... +212 °F]

## Features

Inline filters are used in hydraulic systems for separating solid materials from fluids and lubricating oils. They are intended for attachment in pipelines.

They distinguish themselves by the following:

- ▶ Filters for inline installation
- ▶ Size 1000 with divided filter bowl
- ▶ Special highly efficient filter materials
- ▶ Filtration of very fine particles and high dirt holding capacity across a broad pressure differential range
- ▶ High collapse resistance of the filter elements
- ▶ By default equipped with mechanical optical maintenance indicator with memory function
- ▶ Available as an option with different electronic switching elements, modular design
- ▶ Optional bypass valve integrated in the filter housing
- ▶ Optional measuring port
- ▶ High filtration performance due to the tangential cyclone-effect flow path

## Contents

Features	1
Ordering code filter	2, 3
Version options	3
Preferred types	4
Ordering code accessories	5
Symbols	6
Function, section	7
Technical data	8, 9
Compatibility with permitted hydraulic fluids	9
Characteristic curves	10 ... 13
Dimensions	14 ... 19
Maintenance indicator	20
Ordering codes spare parts	21 ... 23
Assembly, commissioning and maintenance	24, 25
Tightening torques	25
Directives and standardization	26, 27

## Ordering codes filter element

01	02	03	04	05	06	07	08	09	09	09
445LE	N		-		-	-	-	-	-	-

### Series

01	Inline filter 450 bar [6527 psi]	445LE
----	----------------------------------	-------

### Filter element

02	With filter element according to <b>DIN 24550</b>	N
----	---	---

### Nominal size

03	LEN... (with filter element according to <b>DIN 24550</b> )	0040 0063 0100 0160 0250 0400 0630 1000
----	--	--

### Filter rating in µm

04	<b>Absolute (ISO 16889 ; <math>\beta_x(c) \geq 200</math>)</b> Glass fiber material, not cleanable	H3XL H6XL H10XL H20XL
	<b>Nominal</b> Stainless steel wire mesh, cleanable	G10 G25 G40 G60 G100

### Pressure differential

05	Max. admissible pressure differential of the filter element 30 bar [435 psi] ( <b>with</b> bypass valve)	A00
	Max. admissible pressure differential of the filter element 330 bar [4786 psi] ( <b>without</b> bypass valve)	B00

### Maintenance indicator

06	Maintenance indicator, mech./optical, switching pressure 5.0 bar [72.5 psi] – bypass cracking pressure 7 bar [101.53 psi]	V5,0
	Maintenance indicator, mech./optical, switching pressure 8.0 bar [116 psi] – <b>without</b> bypass valve	V8,0

### Seal

07	NBR seal	M
	FKM seal	V

### Connection

08	<b>Frame size</b>	<b>0040</b>	<b>0063-0100</b>	<b>0160-0400</b>	<b>0630-1000</b>	
	<b>Connection</b>					
	G1/2	●	X			R2
	G3/4	X	X			R3
	G1	X	●			R4
	G1 1/2			●		R6
	G2				●	R8
	SAE 1 1/2"			X		S6
	SAE 2"			X	X	S8
	SAE 2 1/2"				X	S9
	7/8-14 UNF-2B	X				U3
	1 1/16-12 UN-2B [SAE 12]		X			U4
	1 7/8-12 UN-2B			X		U6
	● Standard connection					
	X Alternative connection					

## Ordering codes filter element

01	02	03	04	05	06	07	08	09	09	09
445LE	N		-		-	-	-	-	-	-

**Supplementary information** (for configuration options, see chapter “Version options”)

09	Outlet top, outlet opposite, inlet closed (only with size 0160 - 1000) <sup>1)</sup>	7
	Filter rotated 180°, filter bowl can be unscrewed to the top (only with size 0160 - 1000)	9
	Bleed function in the filter bowl, drain in the filter head	
	Additional threaded couplings G 1/4, on the side (only with size 0160 - 1000), not possible with 7 or 9	M
	Maintenance indicator on the right (only with size 0160 - 1000), not possible with M	V3
	Maintenance indicator on the left (only with size 0160 - 1000), not possible with M	V9
	Manufacturer's inspection certificate M according to DIN 55350 T18 Z1	Z1

<sup>1)</sup> The option can only be configured with SAE flange connection

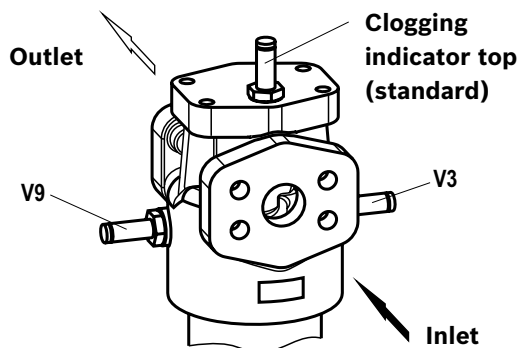
### Order example:

**445LEN0100-H3XLA00-V5,0-M-R4**

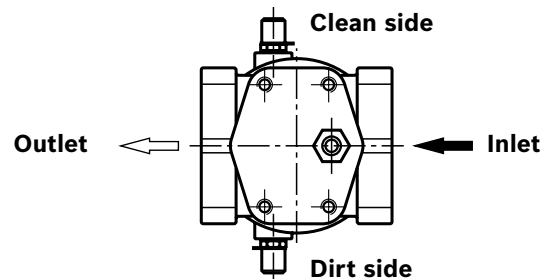
**Further versions (filter materials, connections) are available on request.**

## Version options

**Possible positions of the mechanical optical maintenance indicator**

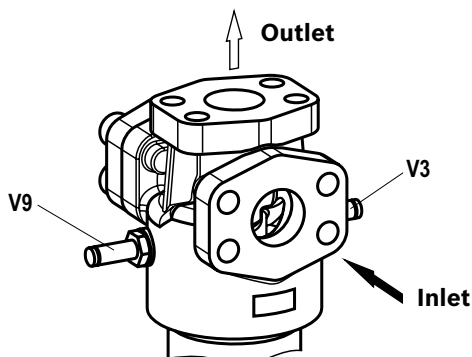


**2 additional Minimes connections on the clean and dirt side**



Cannot be combined with “7”, “9”, “V3” and “V9”

**Outlet top – order option “7”  
Outlet opposite inlet closed**

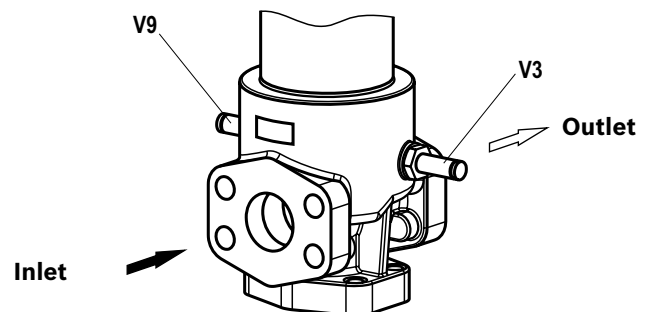


Cannot be combined with “M”!

**Always specify the position of the clogging indicator (“V3” or “V9”)**

In this version, the filter has no mounting possibility. The pipe mounting elements must be positioned close to the filter so that the filter weight can be held.

**Filter rotated 180° – order option “9”  
Filter bowl can be unscrewed from the top**



Cannot be combined with “M”!

**Always specify the position of the clogging indicator (“V3” or “V9”)**

## Preferred types

445LEN preferred types, NBR seal, flow specification for 30 mm<sup>2</sup>/s [142 SUS]

### Inline filter with bypass, filter rating 3 µm

Type	Flow in l/min [gpm] at $\Delta p = 1.5 \text{ bar } [21.8 \text{ psi}]$ <sup>1)</sup>	Material no. Filter				Material no. replacement element
		..R2	R928043216	..U3	R928043456	
445LEN0040-H3XLA00-V5,0-M-..	26 [6.87]	..R2	R928043216	..U3	R928043456	R928006645
445LEN0063-H3XLA00-V5,0-M-..	36 [9.51]	..R4	R928043217	..U4	R928043457	R928006699
445LEN0100-H3XLA00-V5,0-M-..	46 [12.15]	..R4	R928043218	..U4	R928043458	R928006753
445LEN0160-H3XLA00-V5,0-M-..	126 [33.29]	..R6	R928043221	..U6	R928043461	R928006807
445LEN0250-H3XLA00-V5,0-M-..	212 [56.01]	..R6	R928043222	..U6	R928043462	R928006861
445LEN0400-H3XLA00-V5,0-M-..	258 [68.16]	..R6	R928043223	..U6	R928043463	R928006915
445LEN0630-H3XLA00-V5,0-M-..	325 [85.86]	..R8	R928043224	..S8	R928043304	R928006969
445LEN1000-H3XLA00-V5,0-M-..	486 [128.40]	..R8	R928043225	..S8	R928043305	R928007023

### Inline filter with bypass, filter rating 6 µm

Type	Flow in l/min [gpm] at $\Delta p = 1.5 \text{ bar } [21.8 \text{ psi}]$ <sup>1)</sup>	Material no. Filter				Material no. replacement element
		..R2	R928043520	..U3	R928043760	
445LEN0040-H6XLA00-V5,0-M-..	33 [8.72]	..R2	R928043520	..U3	R928043760	R928006646
445LEN0063-H6XLA00-V5,0-M-..	55 [14.53]	..R4	R928043521	..U4	R928043761	R928006700
445LEN0100-H6XLA00-V5,0-M-..	69 [18.23]	..R4	R928043522	..U4	R928043762	R928006754
445LEN0160-H6XLA00-V5,0-M-..	175 [46.23]	..R6	R928043525	..U6	R928043765	R928006808
445LEN0250-H6XLA00-V5,0-M-..	253 [66.84]	..R6	R928043526	..U6	R928043766	R928006862
445LEN0400-H6XLA00-V5,0-M-..	298 [78.73]	..R6	R928043527	..U6	R928043767	R928006916
445LEN0630-H6XLA00-V5,0-M-..	406 [107.26]	..R8	R928043528	..S8	R928043608	R928006970
445LEN1000-H6XLA00-V5,0-M-..	505 [133.42]	..R8	R928043529	..S8	R928043609	R928007024

### Inline filter with bypass, filter rating 10 µm

Type	Flow in l/min [gpm] at $\Delta p = 1.5 \text{ bar } [21.8 \text{ psi}]$ <sup>1)</sup>	Material no. Filter				Material no. replacement element
		..R3	R928043904	..U3	R928044064	
445LEN0040-H10XLA00-V5,0-M-..	37 [9.77]	..R3	R928043904	..U3	R928044064	R928006647
445LEN0063-H10XLA00-V5,0-M-..	70 [18.49]	..R4	R928043825	..U4	R928044065	R928006701
445LEN0100-H10XLA00-V5,0-M-..	78 [20.60]	..R4	R928043826	..U4	R928044066	R928006755
445LEN0160-H10XLA00-V5,0-M-..	211 [55.75]	..R6	R928043829	..U6	R928044069	R928006809
445LEN0250-H10XLA00-V5,0-M-..	280 [73.98]	..R6	R928043830	..U6	R928044070	R928006863
445LEN0400-H10XLA00-V5,0-M-..	325 [85.86]	..R6	R928043831	..U6	R928044071	R928006917
445LEN0630-H10XLA00-V5,0-M-..	460 [121.53]	..R8	R928043832	..S8	R928043912	R928006971
445LEN1000-H10XLA00-V5,0-M-..	515 [136.06]	..R8	R928043833	..S8	R928043913	R928007025

<sup>1)</sup> An appropriate differential pressure via the filter and measuring device according to ISO 3968.  
The differential pressure measured on the maintenance indicator is lower.

**Ordering code accessories**  
(dimensions in mm [inch])

**Electronic switching element for maintenance indicators**

01	02	03
WE	-	-

**Maintenance indicator**

01	Electronic switching element	<b>WE</b>
----	------------------------------	-----------

**Type of signal**

02	1 switching point	<b>1SP</b>
	2 switching points, 3 LED	<b>2SP</b>
	2 switching points, 3 LED and signal suppression up to 30 °C [86 °F]	<b>2SPSU</b>

**Connector**

03	Round plug-in connection M12 x 1, 4-pole	<b>M12 x 1</b>
	Rectangular plug-in connection, 2-pole, design A according to EN-175301-803	<b>EN175301-803</b>

**Material numbers of the electronic switching elements**

Material no.	Type	Signal	Switching points	Connector	LED	
<b>R928028409</b>	WE-1SP-M12 x 1	Changeover	1	M12 x 1	without	
<b>R928028410</b>	WE-2SP-M12 x 1	Normally open (at 75%) / normally closed contact (at 100%)	2		EN 175301-803	3 pieces
<b>R928028411</b>	WE-2SPSU-M12 x 1					
<b>R928036318</b>	WE-1SP-EN175301-803	Normally closed contact	1			without

**Mating connectors**

for electronic switching element with round plug-in connection M12 x 1

Mating connector suitable for K24 4-pole, M12 x 1 with screw connection, cable gland Pg9.

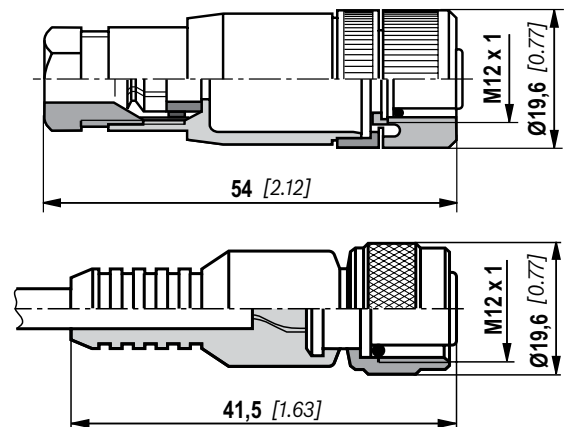
**Material no. R900031155**

Mating connector suitable for K24-3m 4-pole, M12 x 1 with potted-in PVC cable, 3 m long.

Line cross-section: 4 x 0.34 mm<sup>2</sup>

Core marking:     **1** brown           **2** white  
                          **3** blue               **4** black

**Material no. R900064381**



For more round plug-in connections and technical data refer to data sheet 08006.

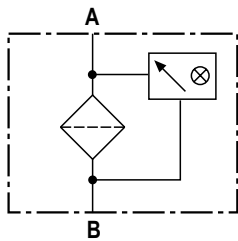
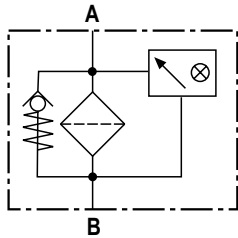
**Order example:**

Inline filter with mechanical optical maintenance indicator for  $p_{Nominal} = 450 [6527 \text{ psi}]$  with bypass valve, Size 0160, with filter element 10 µm and electronic switching element M12 x 1 with 1 switching point.

<b>Filter with mech. optical maintenance indicator:</b>	445LEN0160-H10XLA00-V5,0-M-R6	<b>Material no. R928043829</b>
<b>Switching element:</b>	WE-1SP-M12 x 1	<b>Material no. R928028409</b>
<b>Mating connector:</b>	Mating connector suitable for K24 4-pole, M12 x 1 with screw connection, Cable gland Pg9.	<b>Material no. R900031155</b>

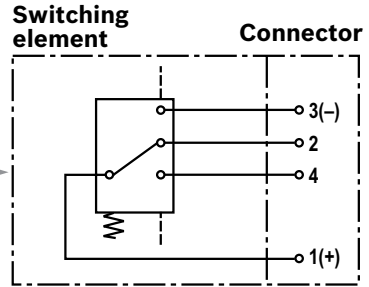
## Symbols

**Inline filter** with bypass and mechanical indicator

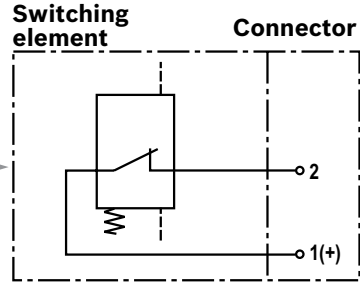


**Inline filter** without bypass and with mechanical indicator

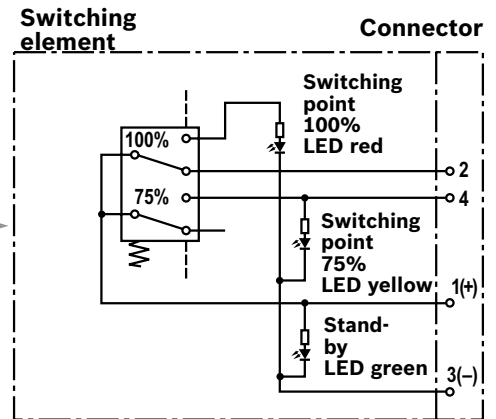
electronic switching element  
for maintenance indicator



**WE-1SP-M12 x 1**

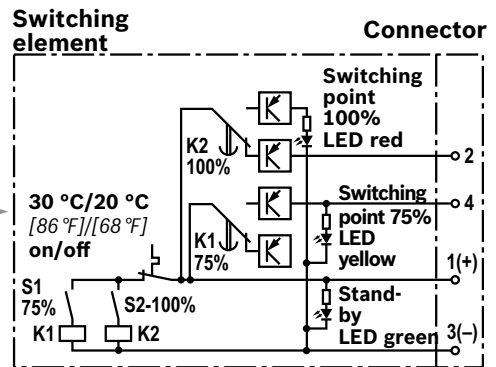


**WE-1SP-EN175301-803**



**WE-2SP-M12 x 1**

Circuit diagram drawn in plugged condition (operating state)



**WE-2SPSU-M12 x 1**

Circuit diagram drawn in plugged condition at temperature > 30 °C [86 °F] (operating state)

## Function, section

The inline filter 445LEN is suitable for installation in pressure lines.

It basically consists of filter head (1), a screwable filter bowl (2) (size 1000 filter pipe with filter cover), filter element (3) as well as a mechanical optical maintenance indicator (4). In case of filters with low-pressure-differential-stable filter elements (= code letter pressure differential A), there is also an assembled bypass valve (5).

Via the inlet, the hydraulic fluid reaches the filter element (3) where it is cleaned. The dirt particles filtered out settle in the filter element (3). Via the outlet, the filtered hydraulic fluid enters the hydraulic circuit.

The filter housing and all connection elements are designed so that pressure peaks - as they may e.g. occur in case of abrupt opening of large control valves due to the accelerated fluid quantity - can be securely absorbed.

As of size 0160, the standard equipment comprises a drain screw (6). With the size 1000, the filter bowl has a two-part design. The filter pipe is secured against twisting in the filter head.

By default, the filter is equipped with mechanical optical maintenance indicator (4). The electronic switching element (7) which has to be ordered separately is attached to the mechanical optical maintenance indicator (4) and held by means of a locking ring.

The electronic switching elements with 1 or 2 switching points are connected via a mating connector according to IEC-60947-5-2 or via a cable connection according to EN17301-803.

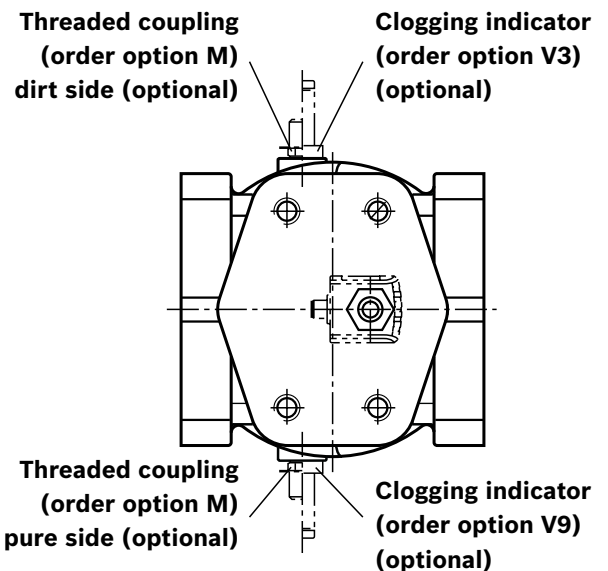
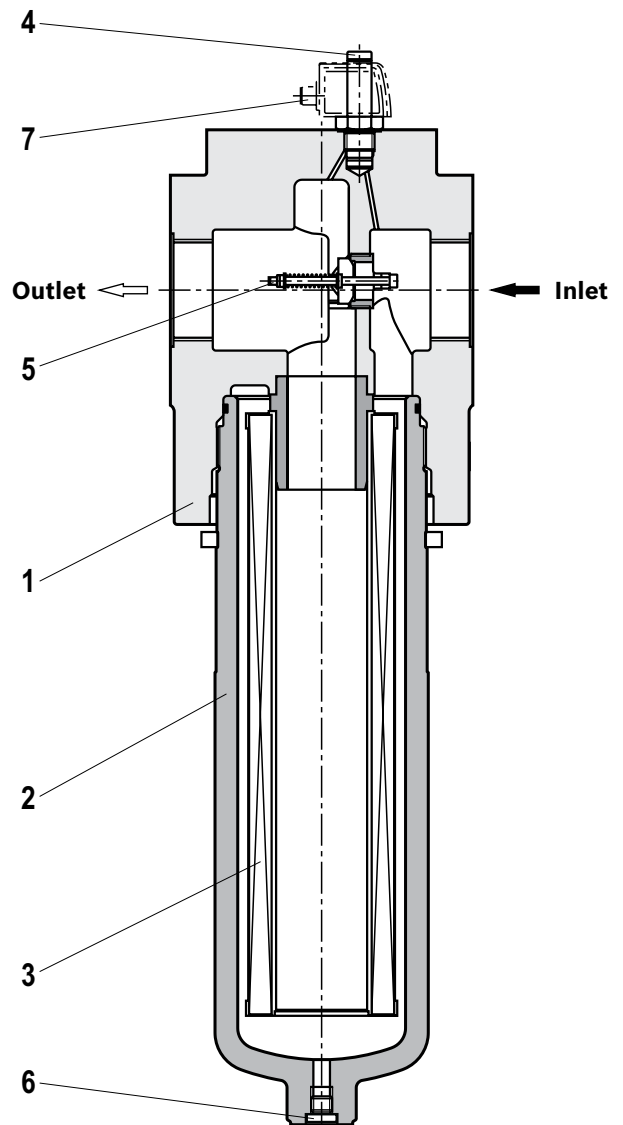
### Variants

► **Order option supplementary information -7**

The standard outlet is closed with a SAE blind flange. The outlet is mounted upwards, which means that the direction of flow is angled upwards by 90°.

► **Order option supplementary information -9**

The bleeding is on the hexagon of the filter bowl. The drain function is located on the side of the filter head opposite the clogging indicator.



Type	Assembly position		
	Maintenance indicator	Bleeding	Draining
445LEN...			
0160-1000...9-V3	V3	On the filter bowl, top, G1/4	Opposite maintenance indicator
0160-1000...9-V9	V9		

**Notice:**

Configuration options see version options on page 3

**Technical data**

(For applications outside these parameters, please consult us!)

<b>General</b>						
Installation position		vertical				
Ambient temperature range		°C [°F]	-10 ... +65 [+14 ... +149]; (briefly to -30 [-22])			
Storage conditions	- NBR seal	°C [°F]	-40 ... +65[-40 ... +149]; max. relative air humidity 65 %			
	- FKM seal	°C [°F]	-20 ... +65[-4 ... +149]; max. relative air humidity 65 %			
Weight	- Filters	NS	<b>0040</b>	<b>0063</b>	<b>0100</b>	<b>0160</b>
		kg [lbs]	4.4 [9.7]	5 [11.1]	5.9 [13.1]	24 [53.2]
		NS	<b>0250</b>	<b>0400</b>	<b>0630</b>	<b>1000</b>
		kg [lbs]	26 [57.7]	30 [66.5]	60 [133.1]	104 [230.7]
	- Filter bowl	NS	<b>0040</b>	<b>0063</b>	<b>0100</b>	<b>0160</b>
		kg [lbs]	1.33 [2.93]	1.33 [2.93]	2.1 [4.63]	5.52 [12.17]
		NS	<b>0250</b>	<b>0400</b>	<b>0630</b>	<b>1000</b>
		kg [lbs]	8.02 [17.68]	12.21 [26.91]	21.36 [47.08]	45.34 [99.93]
Volume	NS	<b>0040</b>	<b>0063</b>	<b>0100</b>	<b>0160</b>	
	l [US gal]	0.25 [0.06]	0.35 [0.09]	0.52 [0.13]	1.4 [0.36]	
	NS	<b>0250</b>	<b>0400</b>	<b>0630</b>	<b>1000</b>	
	l [US gal]	1.95 [0.51]	3.1 [0.81]	5.0 [1.32]	6.5 [1.71]	
Material	- Filter head	GGG				
	- Filter bowl	Steel				
	- Optical maintenance indicator	Brass				
	- Electronic switching element	Plastic PA6				
	- Bypass valve	Steel/POM				
	- Seals	NBR or FKM				

<b>Hydraulic</b>			
Maximum operating pressure	bar [psi]	450 [6527]	
Hydraulic fluid temperature range	°C [°F]	-10 ... +100 [+14 ... +212]	
Minimum conductivity of the medium	pS/m	300	
Fatigue strength according to ISO 10771	Load cycles	> 10 <sup>6</sup> with max. operating pressure	
Type of pressure measurement of the maintenance indicator	Pressure differential		
Assignment: Response pressure of the maintenance indicator / cracking pressure of the bypass valve	bar [psi]	Response pressure of the maintenance indicator	Cracking pressure of the bypass valve
		5.0 ± 0.5 [72.5 ± 7.3]	7,0 ± 0,5 [101.5 ± 7.3]
	8.0 ± 0.8 [116 ± 11.6]	without bypass valve	
Filtration direction	From the outside to the inside		



## Technical data

(For applications outside these parameters, please consult us!)

<b>Electric</b> (electronic switching element)				
Electrical connection	Round plug-in connection M12 x 1, 4-pole			Standard connection EN 175301-803
	Version	WE-1SP-M12 x 1	WE-2SP-M12 x 1	WE-2SPSU-M12 x 1 WE-1SP-EN175301-803
Contact load, direct voltage	A <sub>max.</sub>	1		
Voltage range	V <sub>max.</sub>	150 (AC/DC)	10 ... 30 (DC)	250 (AC)/200 (DC)
Max. switching power with resistive load	W	20		70
Switching type	- 75% signal	-	Normally open contact	
	- 100% signal	Changeover	Normally closed contact	
	- 2SPSU			Signal interconnection at 30 °C [86 °F], return switching at 20 °C [68 °F]
Display via LEDs in the electronic switching element 2SP...		Stand-by (LED green); 75% switching point (LED yellow) 100% switching point (LED red)		
Protection class according to EN 60529	IP	67		65
Ambient temperature range	°C [°F]	-25 ... +85 [-13... +185]		
For direct voltage above 24 V, spark extinguishing is to be provided for protecting the switching contacts.				
Weight	- electronic switching element	kg [lbs]	0,1 [0.22]	
<b>Filter element</b>				
<b>Glass fiber material H.XL</b>		Single-use element on the basis of inorganic fiber		
			Filtration ratio according to ISO 16889 up to Δp = 5 bar [72.5 psi]	Achievable oil cleanliness according to ISO 4406 [SAE-AS 4059]
Particle separation	H20XL	$\beta_{20(c)} \geq 200$		19/16/12 ... 22/17/14
	H10XL	$\beta_{10(c)} \geq 200$		17/14/10 ... 21/16/13
	H6XL	$\beta_{6(c)} \geq 200$		15/12/10 ... 19/14/11
	H3XL	$\beta_{5(c)} \geq 200$		13/10/8 ... 17/13/10
Admissible pressure differential	- A00	bar [psi]	30 [435]	
	- B00	bar [psi]	330 [4785]	

## Compatibility with permitted hydraulic fluids

Hydraulic fluid	Classification	Suitable sealing materials	Standards
Mineral oil	HLP	NBR	DIN 51524
Biodegradable	- insoluble in water	HETG	VDMA 24568
		HEES	
	- soluble in water	HEPG	VDMA 24568
Flame-resistant	- water-free	HFDR, HFDR	VDMA 24317
	- containing water	HFAS	DIN 24320
		HFAE	
		HFC	
		NBR	VDMA 24317

### Important information on hydraulic fluids:

- For more information and data on the use of other hydraulic fluids, please refer to data sheet 90220 or contact us!
- **Flame-resistant - containing water:** due to possible chemical reactions with materials or surface coatings of machine and system components, the service life with these hydraulic fluids may be less than expected.

Filter materials made of filter paper P may not be used, filter elements with glass fiber material have to be used instead.

- **Biodegradable:** If filter materials made of filter paper are used, the filter life may be shorter than expected due to material incompatibility and swelling.

**Characteristic curves**

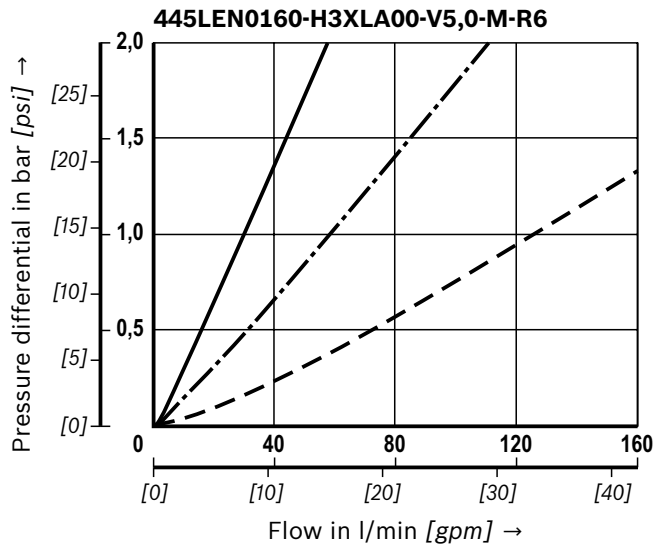
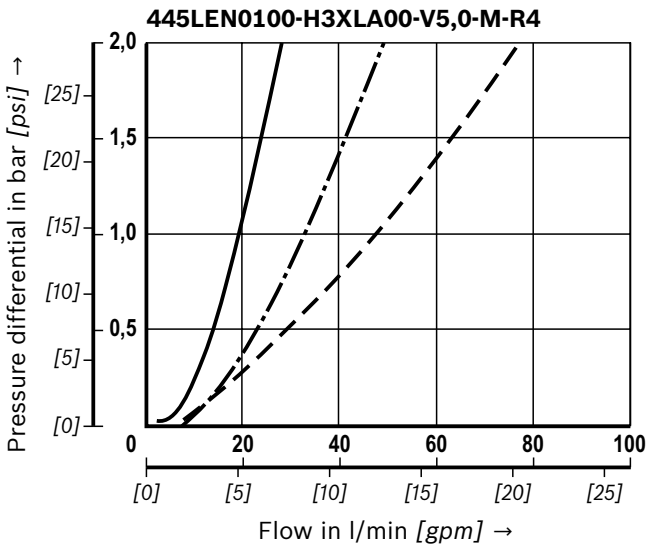
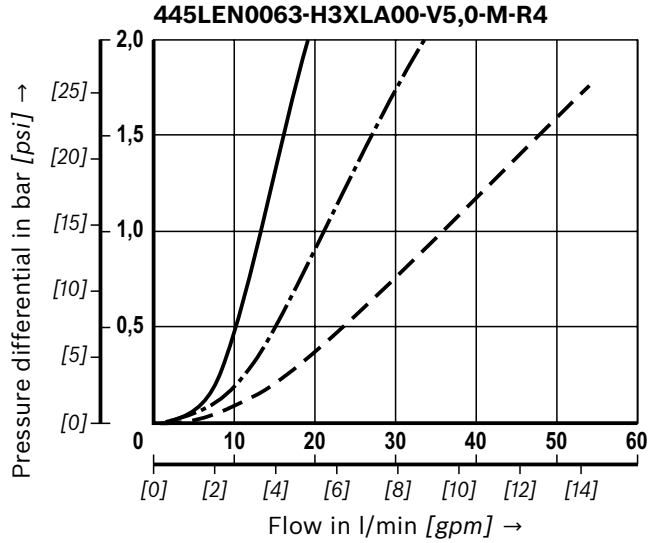
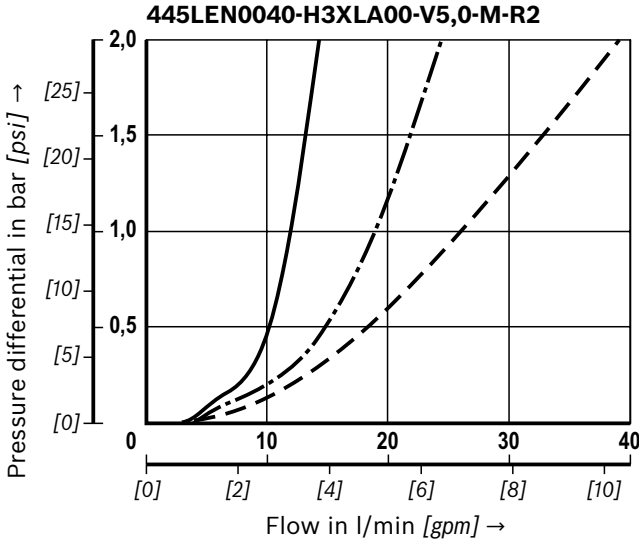
(measured with mineral oil HLP46 according to ISO 3968)

Spec. weight: < 0.9 kg/dm<sup>3</sup>

$\Delta p$ -Q-characteristic curves for complete filters recommended initial  $\Delta p$  for version = 1.5 bar [21.8 psi]

Selection of the perfect filter is made possible by our online "Bosch Rexroth FilterSelect" design software.

Oil viscosity:   
 ——— 140 mm<sup>2</sup>/s [649 SUS]   
 - · - · 68 mm<sup>2</sup>/s [315 SUS]   
 - - - 30 mm<sup>2</sup>/s [143 SUS]



**Characteristic curves**  
 (measured with mineral oil HLP46 according to ISO 3968)

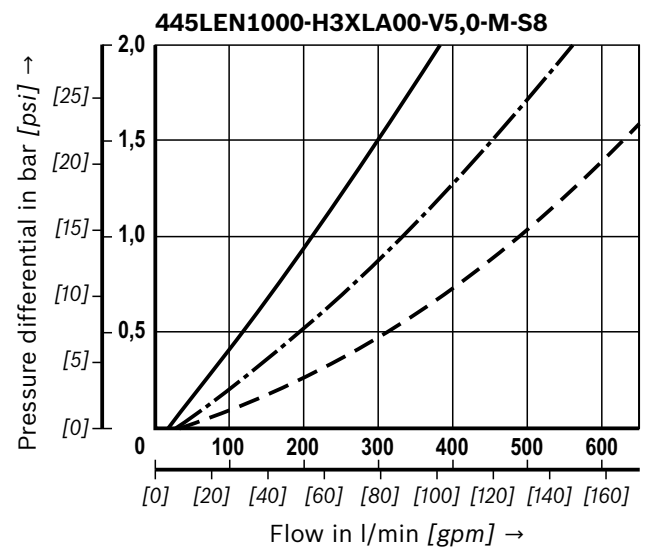
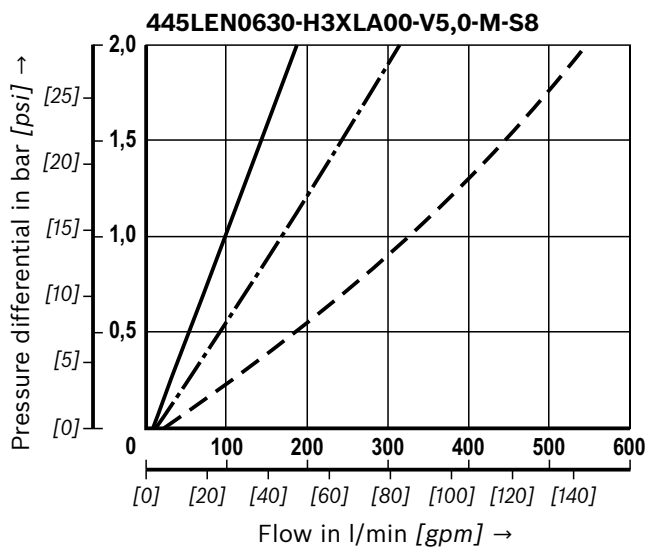
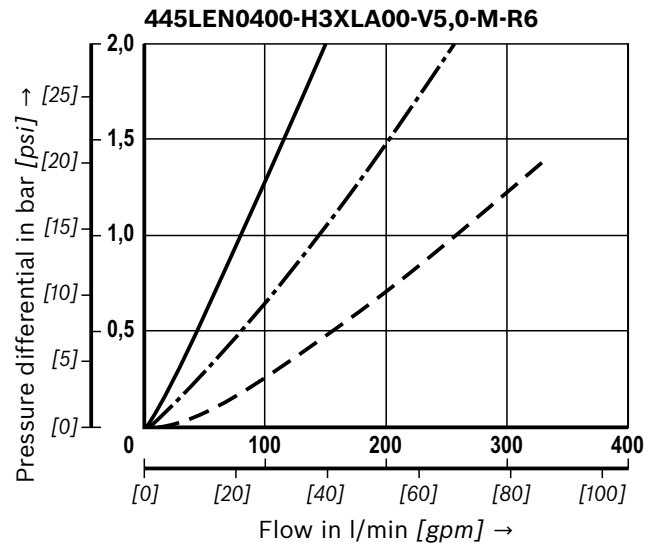
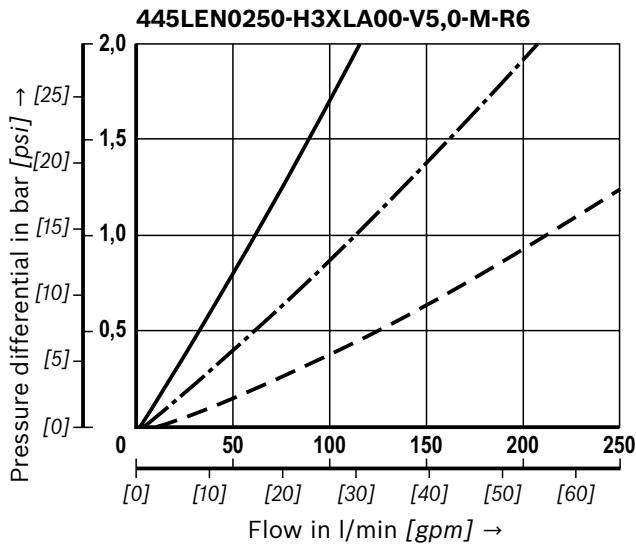
**H3XL**

Spec. weight: < 0.9 kg/dm<sup>3</sup>

$\Delta p$ -Q-characteristic curves for complete filters recommended initial  $\Delta p$  for version = 1.5 bar [21.8 psi]

Selection of the perfect filter is made possible by our online "Bosch Rexroth FilterSelect" design software.

Oil viscosity:   
 ——— 140 mm<sup>2</sup>/s [649 SUS]   
 - · - · 68 mm<sup>2</sup>/s [315 SUS]   
 - - - 30 mm<sup>2</sup>/s [143 SUS]



**Characteristic curves**

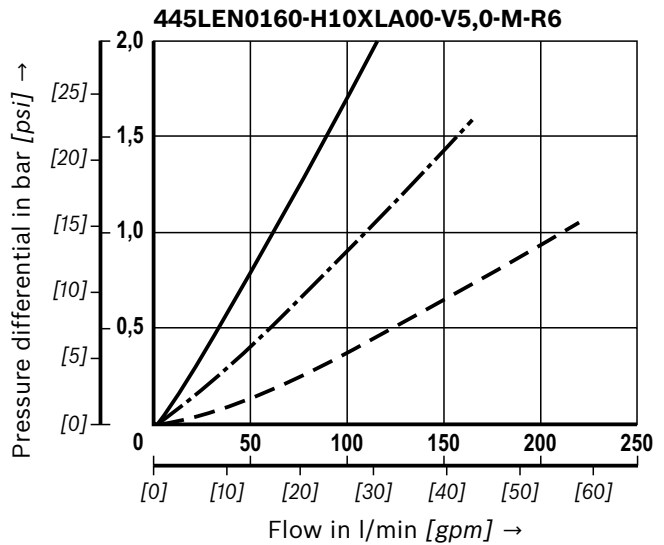
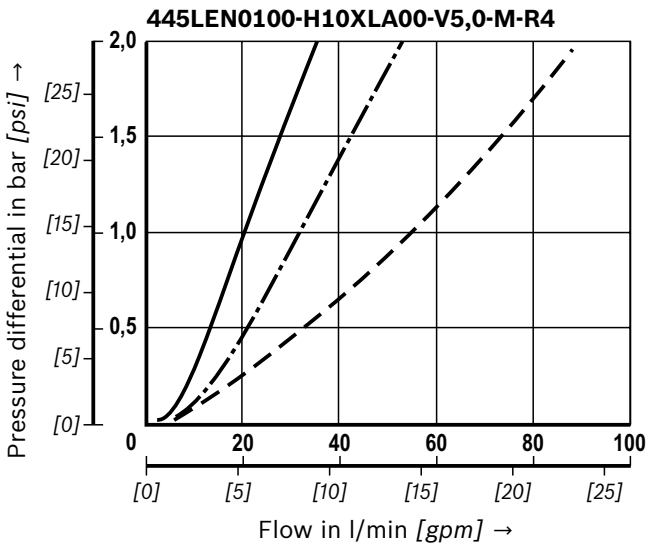
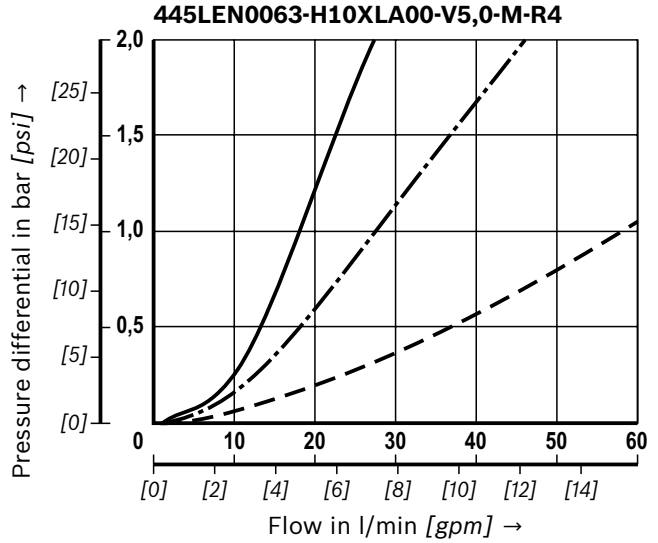
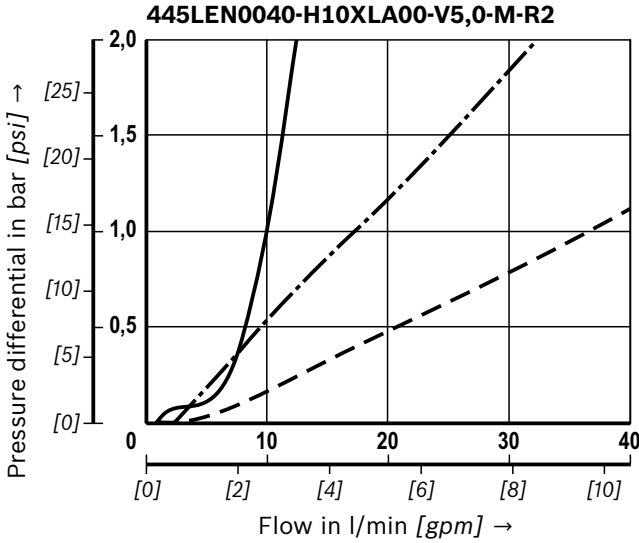
(measured with mineral oil HLP46 according to ISO 3968)

Spec. weight: < 0.9 kg/dm<sup>3</sup>

$\Delta p$ -Q-characteristic curves for complete filters recommended initial  $\Delta p$  for version = 1.5 bar [21.8 psi]

Selection of the perfect filter is made possible by our online "Bosch Rexroth FilterSelect" design software.

Oil viscosity:   
 ——— 140 mm<sup>2</sup>/s [649 SUS]   
 - · - · 68 mm<sup>2</sup>/s [315 SUS]   
 - - - 30 mm<sup>2</sup>/s [143 SUS]



### Characteristic curves

(measured with mineral oil HLP46 according to ISO 3968)

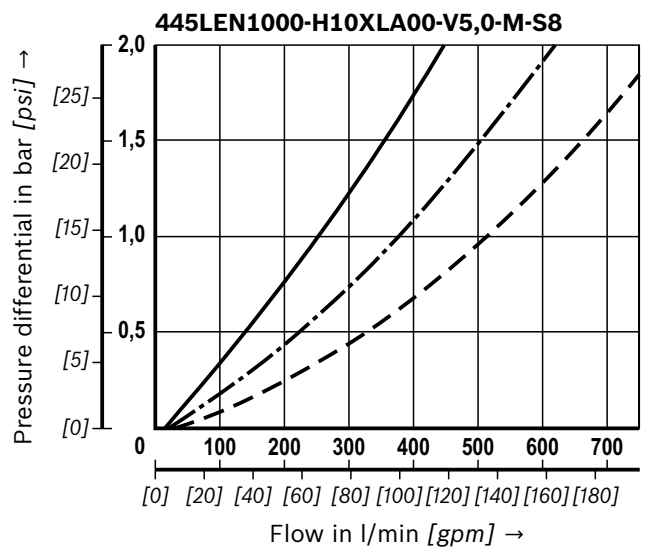
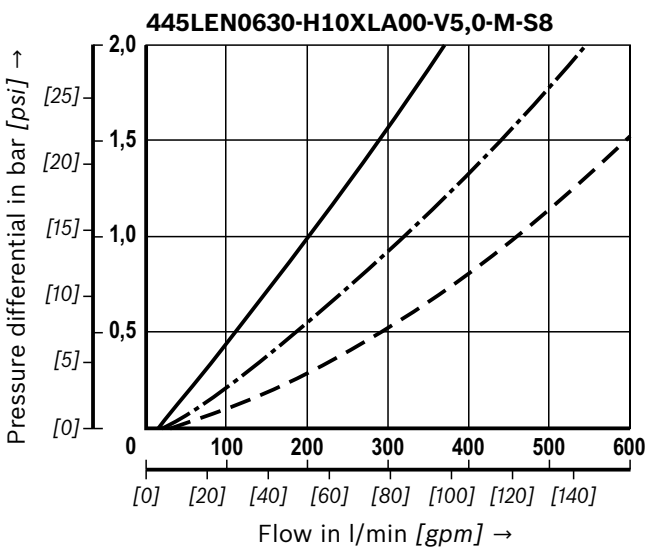
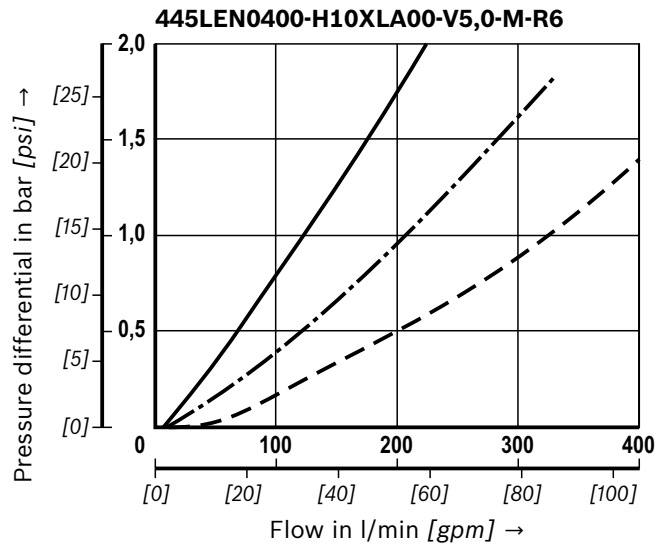
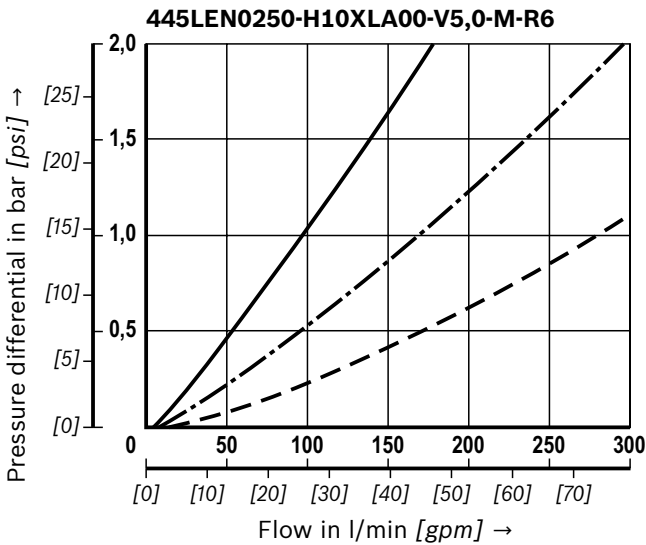
**H10XL**

Spec. weight: < 0.9 kg/dm<sup>3</sup>

$\Delta p$ -Q-characteristic curves for complete filters recommended initial  $\Delta p$  for version = 1.5 bar [21.8 psi]

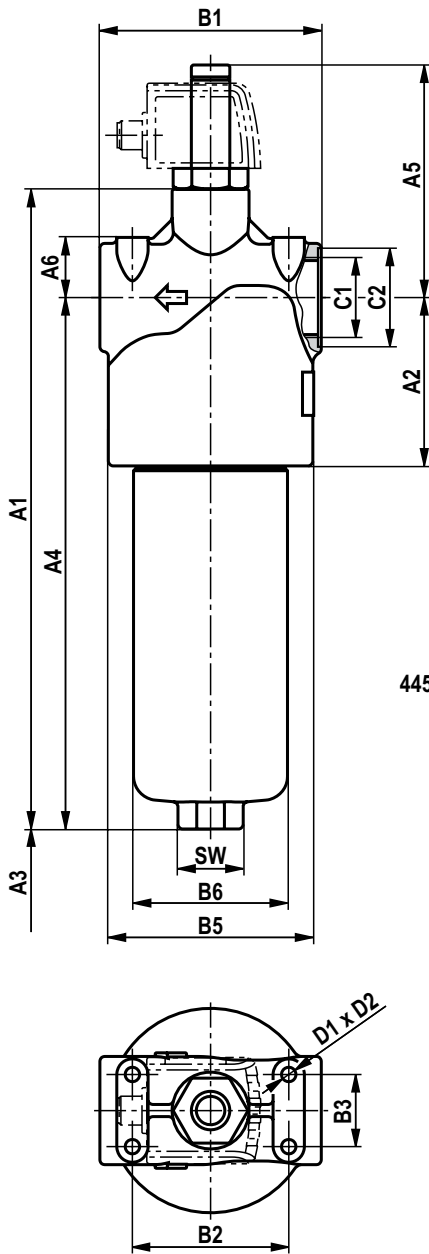
Selection of the perfect filter is made possible by our online "Bosch Rexroth FilterSelect" design software.

Oil viscosity:   
 ——— 140 mm<sup>2</sup>/s [649 SUS]   
 - · - · 68 mm<sup>2</sup>/s [315 SUS]   
 - - - 30 mm<sup>2</sup>/s [143 SUS]

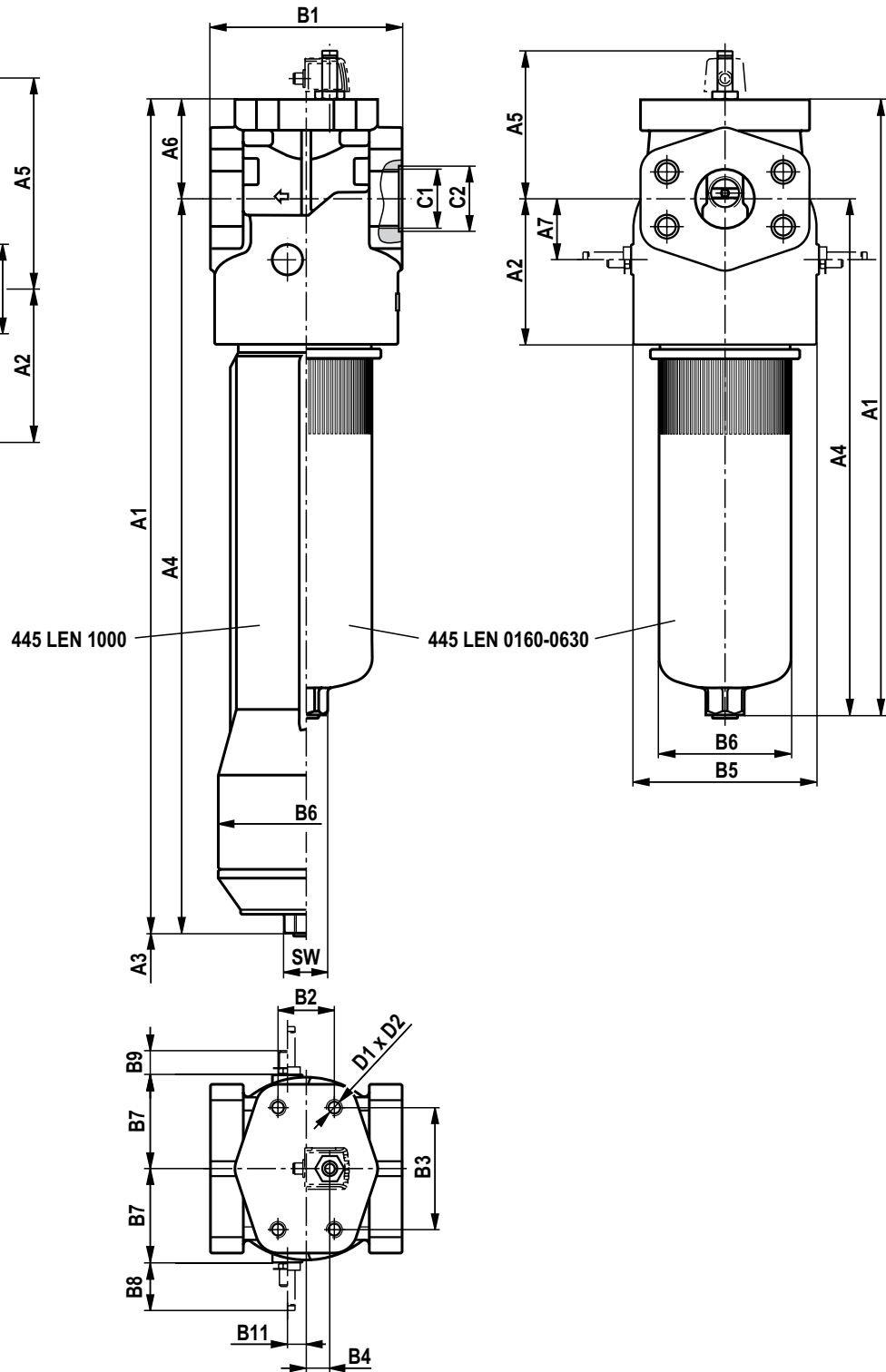


**Dimensions: Size 0040 ... NG1000**  
(dimensions in mm [inch])

445LEN0040 ... 0100



445LEN0160 ... 1000



**Dimensions: Size 0040 ... NG1000**  
 (dimensions in mm [inch])

445LEN...	A1	A2	A3 <sup>1)</sup>	A4	A5	A6	A7
0040	203 [7.99]	70 [2.76]	80 [3.15]	158 [6.22]	96.7 [3.81]	25 [0.98]	-
0063	266 [10.47]			221 [8.70]			
0100	356 [14.02]			311 [12.24]			
0160	344 [13.54]	110 [4.33]	120 [4.72]	262 [10.31]	133.7 [5.26]	82 [3.23]	46 [1.81]
0250	434 [17.09]			352 [13.86]			
0400	584 [22.99]			502 [19.76]			
0630	656 [25.83]	155 [6.10]	160 [6.30]	550 [21.65]	157.7 [6.21]	106 [4.17]	65 [2.56]
1000	893.5 [35.18]		630 [24.80]	787.5 [31.00]			

445LEN...	B1	B2	B3	B4	ØB5	ØB6	B7	B8	B9	B10	B11
0040	92 [3.62]	65 [2.56]	30 [1.18]	-	85 [3.35]	64 [2.52]	-	-	-	-	-
0063											
0100											
0160	164 [6.46]	55 [2.17]	105 [4.13]	30 [1.18]	150 [5.91]	114 [4.49]	80 [3.15]	51.7 [2.04]	29.3 [1.15]	128 [5.04]	20 [0.79]
0250											
0400											
0630											
1000	200 [7.87]	60 [2.36]	130 [5.12]	25 [0.98]	195 [7.68]	140 [5.51] 188 [7.40]	100 [3.94]			169 [6.65]	

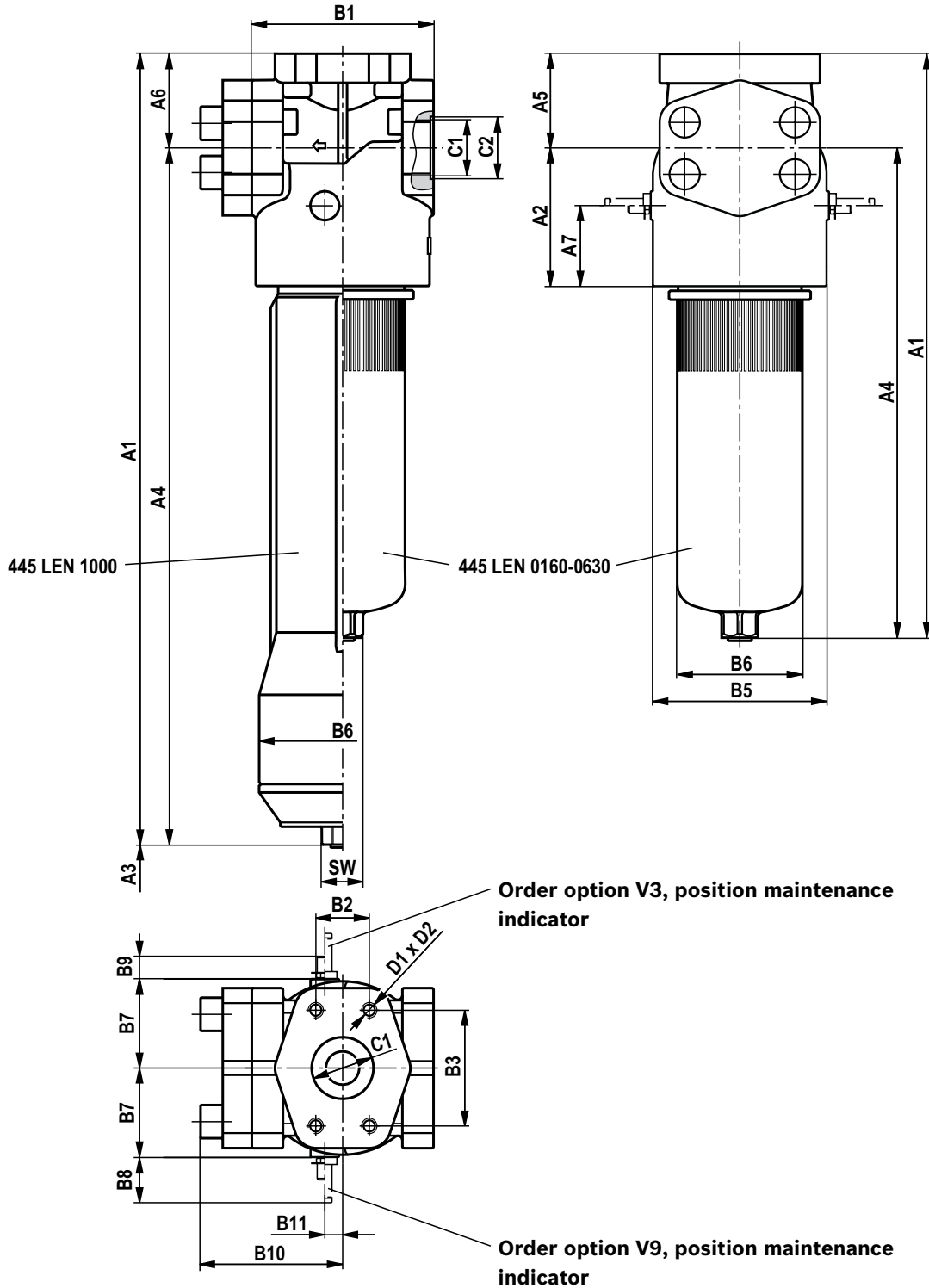
445LEN...	C1 connection						D1	D2	SW
	Standard R...	ØC2	Optional U...	ØC2	Optional S...	ØC2			
0040	G1/2	28 [1.10]	7/18-14 UNF-2B	34 [1.34]	-		M6	8 [0.31]	24 [0.94]
0063	G1	41 [1.61]	1 1/16 UN-2B	41 [1.61]					
0100									
0160	G1 1/2	56 [2.20]	1 7/8-12 UN-2B	65 [2.56]	SAE 1 1/2"	38 [1.50]	M12	28 [1.10]	32 [1.26]
0250					SAE 2"	51 [2.01]			
0400									
0630	G2	72 [2.83]	-	-	SAE 2 1/2"	63 [2.48]	M16	33 [1.30]	41 [1.61]
1000									

<sup>1)</sup> Servicing height for filter element exchange.

**Dimensions: Size 0160 ... Size 1000 version 7**  
 (dimensions in mm [inch])

445LEN0160 ... 1000 version 7

Outlet top, outlet opposite inlet closed





**Dimensions: Size 0160 ... Size 1000 version 7**  
 (dimensions in mm [*inch*])

445LEN...	A1	A2	A3	A4	A5	A6	A7
0160...7	344 [13.54]	110 [4.33]	120 [4.72]	262 [10.31]	82 [3.23]	82 [3.23]	46 [1.81]
0250...7	434 [17.09]			352 [13.86]			
0400...7	584 [22.99]			502 [19.76]			
0630...7	656 [25.83]	155 [6.10]	160 [6.30]	550 [21.65]	106 [4.17]	106 [4.17]	65 [2.56]
1000...7	893.5 [35.18]		630 [24.80]	787.5 [31.00]			

445LEN...	B1	B2	B3	B4	ØB5	ØB6	B7	B8	B9	B10	B11
0160...7	164 [6.46]	55 [2.17]	105 [4.13]	30 [1.18]	150 [5.91]	114 [4.49]	80 [3.15]	51.7 [2.04]	29.3 [1.15]	128 [5.04]	20 [0.79]
0250...7										169 [6.65]	
0400...7											
0630...7	200 [7.87]	60 [2.36]	130 [5.12]	25 [0.98]	195 [7.68]	140 [5.51]	100 [3.94]				
1000...7					188 [7.40]						

445LEN...	C1 connection						D1	D2	SW
	Standard R...	ØC2	Optional U...	ØC2	Optional S...	ØC2			
0160...7	G1 1/2	56 [2.20]	1 7/8-12 UN-2B	65 [2.56]	-		M12	28 [1.10]	32 [1.26]
0250...7									
0400...7									
0630...7	-	-	-	-	SAE 2"	51 [2.01]	M16	33 [1.30]	41 [1.61]
1000...7					SAE 2 1/2"	63 [2.48]			



**Dimensions: Size 0160 ... Size 1000 version 9**  
 (dimensions in mm [inch])

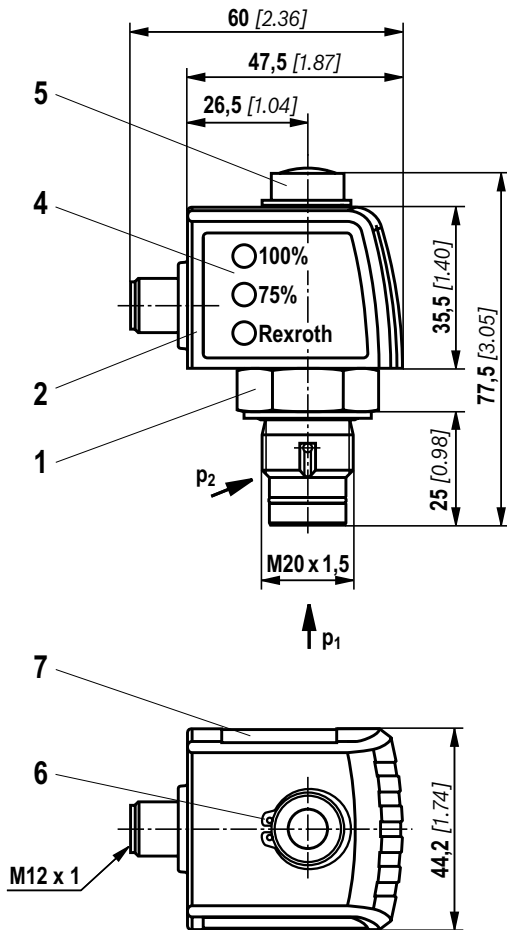
445LEN...	A1	A2	A3	A4	A5	A6	A7
0160...9	344 [13.54]	110 [4.33]	160 [6.30]	262 [10.31]	82 [3.23]	82 [3.23]	46 [1.81]
0250...9	434 [17.09]		250 [9.84]	352 [13.86]			
0400...9	584 [22.99]		400 [15.75]	502 [19.76]			
0630...9	656 [25.83]	155 [6.10]	160 [6.30]	550 [21.65]	106 [4.17]	106 [4.17]	65 2.56]
1000...9	893.5 [35.18]		630 [24.80]	787.5 [31.00]			

445LEN...	B1	B2	B3	B4	ØB5	ØB6	B7	B8	B9	B10	B11
0160...9	164 [6.46]	55 [2.17]	105 [4.13]	30 [1.18]	150 [5.91]	114 [4.49]	80 [3.15]	51.7 [2.04]	29.3 [1.15]	128 [5.04]	20 [0.79]
0250...9										169 [6.65]	
0400...9										169 [6.65]	
0630...9	200 [7.87]	60 [2.36]	130 [5.12]	25 [0.98]	195 [7.68]	140 [5.51]	100 [3.94]				
1000...9						188 [7.40]					

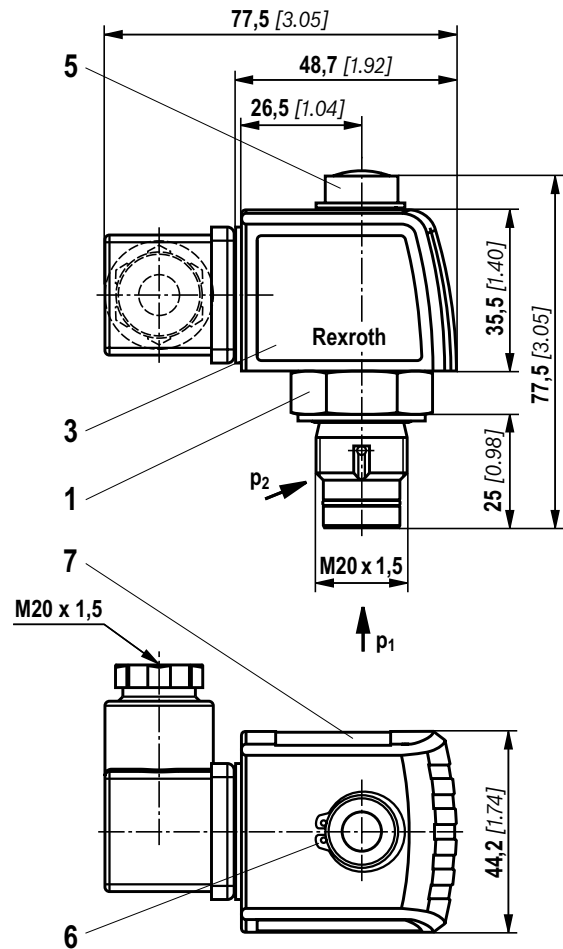
445LEN...	C1 connection						ØD3	ØD4	D5	SW
	Standard R...	ØC2	Optional U...	ØC2	Optional S...	ØC2				
0160...9	G1 1/2	56 [2.20]	1 7/8-12 UN-2B	65 [2.56]	-		14 [0.55]	20 [0.79]	1 [0.04]	32 [1.26]
0250...9										41 [1.61]
0400...9										41 [1.61]
0630...9	-	-	-	-	SAE 2"	51 [2.01]	18 [0.71]	26 [1.02]		
1000...9					SAE 2 1/2"	63 [2.48]				

## Maintenance indicator (dimensions in mm [inch])

Pressure differential indicator with mounted switching element M12 x 1



Pressure differential indicator with mounted switching element EN-175301-803



- 1 Mechanical optical maintenance indicator; max. tightening torque  $M_{A \max} = 50 \text{ Nm}$  [36.88 lb-ft]
- 2 Switching element with locking ring for electrical maintenance indicator (rotatable by 360°); round plug-in connection M12 x 1, 4-pole
- 3 Switching element with locking ring for electrical maintenance indicator (rotatable by 360°); rectangular plug-in connection EN175301-803
- 4 Housing with three LEDs: 24V =  
green: Stand-by  
yellow: Switching point 75%  
red: Switching point 100%
- 5 Visual indicator bistable
- 6 Locking ring DIN 471-16 x 1, **material no. R900003923**
- 7 Name plate

### Notices:

Representation contains mechanical optical maintenance indicator (1) and electronic switching element (2) (3).

**Ordering code  
spare parts**

**Filter element**

01	02	03	04	05	06
2.			-	0	-

**Filter element**

01	Design	<b>2.</b>
----	--------	-----------

**Nominal size**

02	LEN... (with filter element according to <b>DIN 24550</b> )	<b>0040</b> <b>0063</b> <b>0100</b> <b>0160</b> <b>0250</b> <b>0400</b> <b>0630</b> <b>1000</b>
----	--	--

**Filter rating in µm**

03	<b>Absolute (ISO 16889 ;</b> Glass fiber material, not cleanable <b>β<sub>x</sub>(c) ≥ 200)</b>	<b>H3XL</b> <b>H6XL</b> <b>H10XL</b> <b>H20XL</b>
	<b>Nominal</b> Stainless steel wire mesh, cleanable	<b>G10</b> <b>G25</b> <b>G40</b> <b>G60</b> <b>G100</b>

**Pressure differential**

04	Max. admissible pressure differential of the filter element 30 bar [435 psi] – filter <b>with</b> bypass valve	<b>A00</b>
	Max. admissible pressure differential of the filter element 330 bar [4786 psi] – filter <b>without</b> bypass valve	<b>B00</b>

**Bypass valve**

05	<b>without</b> bypass valve	<b>0</b>
----	-----------------------------	----------

**Seal**

06	NBR seal	<b>M</b>
	FKM seal	<b>V</b>

**Order example:**

**2.0100 H3XL-A00-0-M**

**For detailed information on Rexroth filter elements please refer to data sheet 51420.**

**Preferred program replacement filter element**

Replacement filter element 3 micron		Replacement filter element 6 micron		Replacement filter element 10 micron	
<b>R928006645</b>	2.0040 H3XL-A00-0-M	<b>R928006646</b>	2.0040 H6XL-A00-0-M	<b>R928006647</b>	2.0040 H10XL-A00-0-M
<b>R928006699</b>	2.0063 H3XL-A00-0-M	<b>R928006700</b>	2.0063 H6XL-A00-0-M	<b>R928006701</b>	2.0063 H10XL-A00-0-M
<b>R928006753</b>	2.0100 H3XL-A00-0-M	<b>R928006754</b>	2.0100 H6XL-A00-0-M	<b>R928006755</b>	2.0100 H10XL-A00-0-M
<b>R928006807</b>	2.0160 H3XL-A00-0-M	<b>R928006808</b>	2.0160 H6XL-A00-0-M	<b>R928006809</b>	2.0160 H10XL-A00-0-M
<b>R928006861</b>	2.0250 H3XL-A00-0-M	<b>R928006862</b>	2.0250 H6XL-A00-0-M	<b>R928006863</b>	2.0250 H10XL-A00-0-M
<b>R928006915</b>	2.0400 H3XL-A00-0-M	<b>R928006916</b>	2.0400 H6XL-A00-0-M	<b>R928006917</b>	2.0400 H10XL-A00-0-M
<b>R928006969</b>	2.0630 H3XL-A00-0-M	<b>R928006970</b>	2.0630 H6XL-A00-0-M	<b>R928006971</b>	2.0630 H10XL-A00-0-M
<b>R928007023</b>	2.1000 H3XL-A00-0-M	<b>R928007024</b>	2.1000 H6XL-A00-0-M	<b>R928007025</b>	2.1000 H10XL-A00-0-M

## Ordering code spare parts

### Mechanical optical maintenance indicator

01	02	03	04	05	06
<b>W</b>	<b>O</b>	<b>-</b>	<b>D01</b>	<b>-</b>	<b>-</b>
					<b>450</b>

01	Maintenance indicator	<b>W</b>
----	-----------------------	----------

02	Mechanical optical indicator	<b>O</b>
----	------------------------------	----------

### Version

03	Pressure differential, modular design	<b>D01</b>
----	---------------------------------------	------------

### Switching pressure

04	5.0 bar [72.5 psi]	<b>5,0</b>
	8.0 bar [116 psi]	<b>8,0</b>

### Seal

05	NBR seal	<b>M</b>
	FKM seal	<b>V</b>

### Max. operating pressure

06	Switching pressure 5.0 bar [72.5 psi], 450 bar [6527 psi]	<b>450</b>
	Switching pressure 8.0 bar [116.0 psi], 450 bar [6527 psi]	<b>450</b>

Mechanical optical maintenance indicator	Material no.
WO-D01-5.0-M-450	<b>R901025313</b>
WO-D01-5.0-V-450	<b>R901066235</b>
WO-D01-8.0-M-450	<b>R928038785</b>
WO-D01-8.0-V-450	<b>R928038784</b>

**Ordering code  
spare parts**

**Seal kit**

01	02	03	04
<b>D</b>	<b>350/445LEN</b>		-

01	Seal kit	<b>D</b>
02	Series 445LEN	<b>350/445LEN</b>

**Nominal size**

03	Size 0040-0100	<b>0040-0100</b>
	Size 0160-0400	<b>0160-0400</b>
	Size 0630	<b>0630</b>
	Size 1000	<b>1000</b>

**Seal**

04	NBR seal	<b>M</b>
	FKM seal	<b>V</b>

Seal kit	Material no.
D350/445LEN0040-0100-M	<b>R928028527</b>
D350/445LEN0040-0100-V	<b>R928028528</b>
D350/445LEN0160-0400-M	<b>R928028532</b>
D350/445LEN0160-0400-V	<b>R928028533</b>
D350/445LEN0630-M	<b>R928028536</b>
D350/445LEN0630-V	<b>R928028529</b>
D350/445LEN1000-M	<b>R928028537</b>
D350/445LEN1000-V	<b>R928028534</b>

## Assembly, commissioning, maintenance

### Installation

- ▶ The max. operating pressure of the system must not exceed the max. admissible operating pressure of the filter (see type plate).
- ▶ During assembly of the filter (see also chapter “Tightening torque”) the flow direction (direction arrows) and the required servicing height of the filter element (see chapter “Dimensions”) must be taken into account.
- ▶ Easy filter element exchange is guaranteed in the installation position filter bowl vertically downwards. For filters with order option - supplementary information 9 - the installation position of the filter bowl is vertically upwards. The maintenance indicator must be arranged in a well visible way.
- ▶ Remove the plastic plugs in the filter inlet and outlet.
- ▶ Ensure that the system is assembled without tension stress.
- ▶ The optional electronic maintenance indicator is connected via the electronic switching element with 1 or 2 switching points, which is attached to the mechanical optical maintenance indicator and held by means of the locking ring.

### Commissioning

Commission the system.

#### Notice:

There is no bleeding provided at the filter. However, some sizes or variants have optional threaded couplings which may also be used for bleeding.

### Maintenance

- ▶ If at operating temperature, the red indicator pin reaches out of the mechanical optical maintenance indicator and/or if the switching process in the electronic switching element is triggered, the filter element is contaminated and needs to be replaced and cleaned respectively. More details see data sheet 51450
- ▶ The material number of the corresponding replacement filter element is indicated on the name plate of the complete filter. It must comply with the material number on the filter element.
- ▶ Decommission the system.
- ▶ The operating pressure is to be built up on the system side.

#### Notice:

There is no bleeding provided at the filter. However, some sizes or variants have optional threaded couplings which may also be used for bleeding.

- ▶ Via the drain screw (from size 0160 fitted by default), the oil on the dirt side can be drained.
- ▶ Unscrew filter bowl (or base with size 1000).
- ▶ Remove the filter element from the spigot by rotating it slightly.
- ▶ Clean the filter components, if necessary.
- ▶ Check the seals at the filter bowl for damage and renew them, if necessary.  
For suitable seal kits refer to chapter “Spare parts”.
- ▶ Filter elements made of wire mesh can be cleaned. For detailed cleaning instructions refer to data sheet 51420.
- ▶ Install the new or cleaned filter element on the spigot again by slightly rotating it.
- ▶ The filter is to be assembled in reverse order. **Please note:**  
Screw in the filter bowl to the stop, unscrew the filter bowl again by 1/8 to 1/2 rotation so that the filter bowl does not get stuck due to the pressure pulsation and can be loosened easily during maintenance work.
- ▶ The torque specifications (“Tightening torques” chapter) are to be observed.
- ▶ Commission the system and bleed the filter for order option - supplementary information 9

#### WARNING!

- ▶ Only with order option - supplementary information 9 - upwards installation position of the filter bowl is permitted. This variant guarantees safe bleeding.



## Assembly, commissioning, maintenance

### WARNING!

- ▶ Assembly and disassembly only with depressurized system!
- ▶ Filter is under pressure!
- ▶ Remove the filter bowl only if it is not under pressure!
- ▶ Do not exchange the mechanical-optical maintenance indicator while the filter is under pressure!
- ▶ If the flow direction is not considered during assembly, the filter element will be destroyed. Particles get in system and damage the following components.

### Notices:

- ▶ All works at the filter only be trained specialists.
- ▶ Functioning and safety are only guaranteed if original Bosch Rexroth filter elements and spare parts are used.
- ▶ Warranty becomes void if the delivered item is changed by the ordering party or third parties or improperly mounted, installed, maintained, repaired, used or exposed to environmental condition that do not comply with the installation conditions.

## Tightening torques (dimensions in mm [inch])

### Mounting

Series 445LEN...	0040	0063	0100	0160	0250	0400	0160	0250
Screw/tightening torque with $\mu_{total} = 0.14$	M6 / 10.4 Nm $\pm$ 10 %			M12 / 37 Nm $\pm$ 10 %			M16 / 90 Nm $\pm$ 10 %	
Quantity	4							
Recommended property class of screw	8.8							
Minimum screw-in depth	6 mm + 2 mm [0.24 + 0.08]			18 mm + 4 mm [0.7 + 0.16]			24 mm + 4 mm [0.94 + 0.16]	

### Filter bowl and maintenance indicator

Series 445LEN...	0040	0063	0100	0160	0250	0400	0160	0250
Tightening torque filter bowl	Screw in the filter bowl to the stop, unscrew the filter bowl again by 1/8 to 1/2 rotation							
Tightening torque maintenance indicator	Max. 50 Nm							
Tightening torque cubic connector screw switching element EN-175301-803	M3/0.5 Nm							

## Directives and standardization

### Classification according to the Pressure Equipment

#### Directive

The inline filters for hydraulic applications according to 51423 are pressure holding equipment according to article 1, section 2.1.4 of the Pressure Equipment Directive 97/23/EC (PED). However, on the basis of the exception in article 1, section 3.6 of the PEG, hydraulic filters

are exempt from the PED if they are not classified higher than category I (guideline 1/19).

The fluids from the chapter "Compatibility with approved pressure fluids" were considered for the classification. They do not receive a CE mark.

### Use in potentially explosive areas according to directive 94/9/EC (ATEX)

The inline filters according to 51423 are no equipment or components in the sense of directive 94/9/EC and are not provided with a CE mark. It has been proven with the ignition risk analysis that these inline filters do not have own ignition sources acc. to DIN EN 13463-1:2009.

have an own voltage source. This simple, electronic operating equipment may - according to DIN EN 60079-14:2012 - in intrinsically safe electric circuits (Ex ib) be used in systems without marking and certification.

The inline filters and the electronic maintenance indicators described here can be used for the following explosive areas

According to DIN EN 60079-11:2012, electronic maintenance indicators with a switching point:

WE-1SP-M12 x 1 R928028409

WE-1SP-EN175301-803 R928036318

are simple, electronic operating equipment that do not

	zone suitability	
Gas	1	2
Dust	21	22

### Complete filter with mech./opt. Maintenance indicator

Use /assignment			Gas 2G	Dust 2D
Assignment			Ex II 2G c IIC TX	Ex II 2D c IIC TX
Conductivity of the medium	pS/m	min	300	
Dust accumulation		max	-	0.5 mm

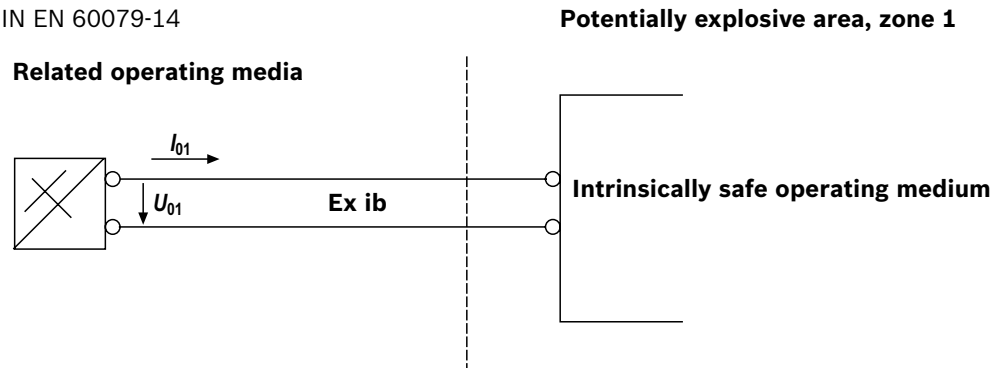
### Electronic switching element in the intrinsically safe electric circuit

Use /assignment			Gas 2G	Dust 2D
Assignment			Ex II 2G Ex ib IIB T4 Gb	Ex II 2D Ex ib IIC T100°C Db
perm. intrinsically safe electric circuits			Ex ib IIC, Ex ic IIC	Ex ib IIC
Technical data			Values only for intrinsically safe electric circuit	
Switching voltage	Ui	max	150 V AC/DC	
Switching current	Ii	max	1.0 A	
Switching power	Pi	max	1.3 W T4 T <sub>max</sub> 40 °C	750 mW T <sub>max</sub> 40 °C
		max	1.0 W T4 T <sub>max</sub> 80 °C	550 mW T <sub>max</sub> 100 °C
Surface temperature <sup>1)</sup>		max	-	100 °C
inner capacity	Ci		negligible	
inner inductivity	Li		negligible	
Dust accumulation		max	-	0.5 mm

<sup>1)</sup> The temperature depends on the temperature of the medium in the filter and must not exceed the value specified here.

## Directives and standardization

Possible circuit according to DIN EN 60079-14



### WARNING!

- ▶ Explosion hazard due to high temperature!  
The temperature depends on the temperature of the medium in the hydraulic circuit and must not exceed the value specified here. Measures are to be taken so that in the potentially explosive area, the max. admissible ignition temperature is not exceeded.
- ▶ When using the inline filters in accordance with 51423 in potentially explosive areas, appropriate equipotential bonding has to be ensured. The filter is preferably to be earthed via the mounting screws. It has to be noted in this connection that paintings and oxidic protective layers are not electrically conductive.
- ▶ During filter element exchanges, the packaging material is to be removed from the replacement element outside the potentially explosive area

### Notices:

- ▶ Maintenance only by specialists, instruction by the machine end-user acc. to DIRECTIVE 1999/92/EC appendix II, section 1.1
- ▶ Functional and safety warranty only applicable when using genuine Rexroth spare parts

## Notes

Bosch Rexroth AG  
Werk Ketsch  
Hardtwaldstr. 43  
68775 Ketsch, Germany  
Telefon +49 (0) 62 02/603-0  
filter-support@boschrexroth.de  
www.boschrexroth.de

© This document, as well as the data, specifications and other information set forth in it, are the exclusive property of Bosch Rexroth AG. It may not be reproduced or given to third parties without the consent of Bosch Rexroth AG. The data specified above only serve to describe the product. No statements concerning a certain condition or suitability for a certain application can be derived from our information. The information given does not release the user from the obligation of own judgment and verification. It must be remembered that our products are subject to a natural process of wear and aging.