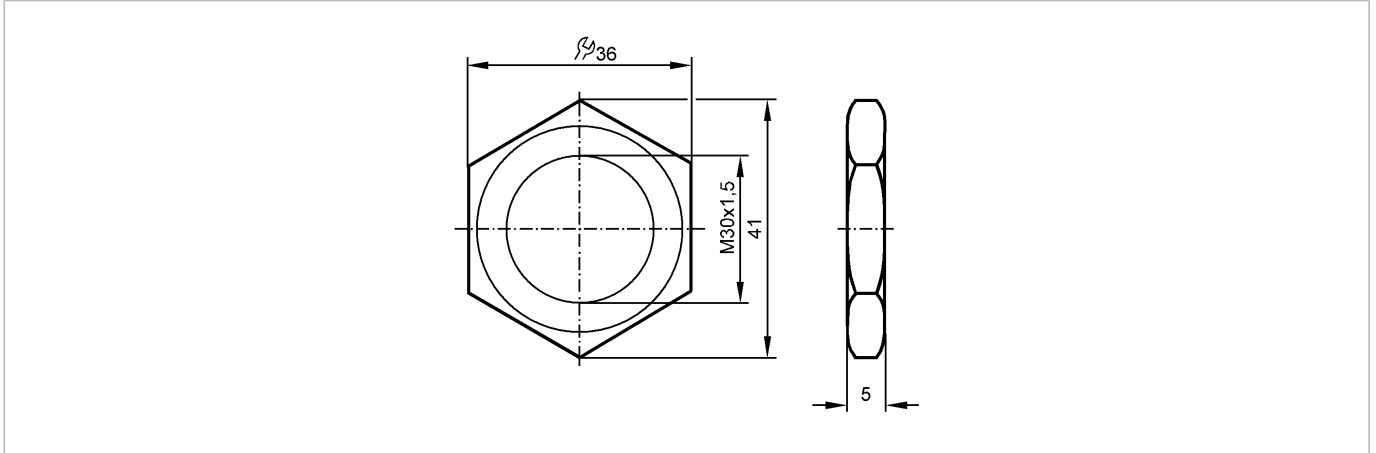




NUT M30X1.5 PBTB 2 PIECES

Accessories



Product characteristics

Lock nuts plastic

M30 x 1.5

Mechanical data

Housing materials

polycarbonate

Weight

[kg]

0.006

Remarks

Pack quantity

[piece]

2