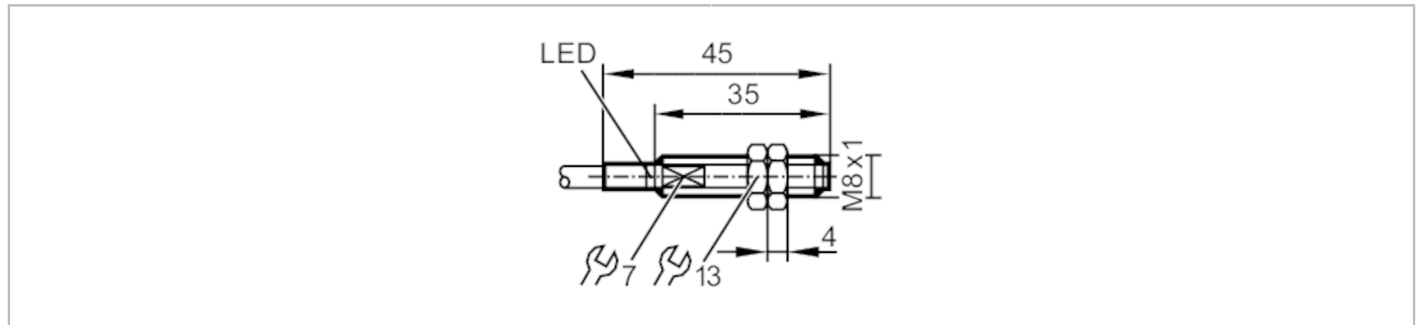


# IER204



## Inductive full-metal sensor

IEB2002BARKG/AM/SC/3,0M/2LED



Product characteristics	
Electrical design	PNP/NPN
Output function	normally open
Sensing range [mm]	2
Housing	threaded type
Dimensions [mm]	M8 x 1 / L = 45
Application	
Special feature	Increased sensing range; Full-metal housing; Optical setting aid; anti-spatter
Application	Use in welding applications
Electrical data	
Operating voltage [V]	10...36 DC
Protection class	III
Reverse polarity protection	yes
Outputs	
Electrical design	PNP/NPN
Output function	normally open
Max. voltage drop switching output DC [V]	2.5
Minimum load current [mA]	2
Max. leakage current [mA]	0.75
Permanent current rating of switching output DC [mA]	100
Switching frequency DC [Hz]	150
Short-circuit protection	yes
Type of short-circuit protection	pulsed
Overload protection	yes
Detection zone	
Sensing range [mm]	2
Operating distance [mm]	0...1.6
Increased sensing range	yes
Accuracy / deviations	
Correction factor	steel: 1 / stainless steel: 0.6 / brass: 0.4 / aluminium: 0.3 / copper: 0.2
Hysteresis [% of Sr]	1...20

# IER204



## Inductive full-metal sensor

IEB2002BARKG/AM/SC/3,0M/2LED

Operating conditions		
Ambient temperature	[°C]	-25...70
Protection		IP 67
Tests / approvals		
EMC	EN 61000-4-2 ESD	4 kV CD / 8 kV AD
	EN 61000-4-3 HF radiated	10 V/m
	EN 61000-4-4 Burst	2 kV
	EN 61000-4-6 HF conducted	10 V
	EN 55011	class B
Impact resistance		1 J
MTTF	[years]	1384
UL approval	Ta	0...40 °C
	Enclosure type	Type 1
	voltage supply	Limited Voltage/Current
	File number UL	E174191
Mechanical data		
Weight	[g]	73
Housing		threaded type
Mounting		flush mountable
Dimensions	[mm]	M8 x 1 / L = 45
Thread designation		M8 x 1
Materials		housing: stainless steel (1.4404 / 316L) anti-spatter; sensing face: stainless steel (1.4404 / 316L) anti-spatter; lock nuts: stainless steel (1.4404 / 316L) anti-spatter
Full-metal housing		yes
Displays / operating elements		
Display	switching status	1 x LED, green
	setting aid	1 x LED, red
Optical setting aid		yes
Accessories		
Accessories (supplied)		lock nuts: 2
Remarks		
Pack quantity		1 pcs.

# IER204



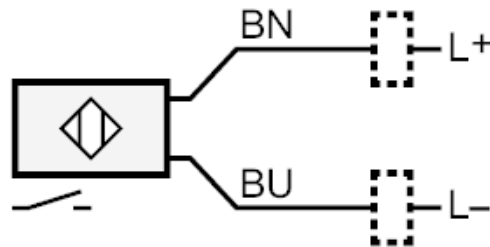
## Inductive full-metal sensor

IEB2002BARKG/AM/SC/3,0M/2LED

### Electrical connection

Cable: 3 m, PUR; 2 x 0.34 mm<sup>2</sup>

### Connection



Core colours :

BN = brown  
BU = blue