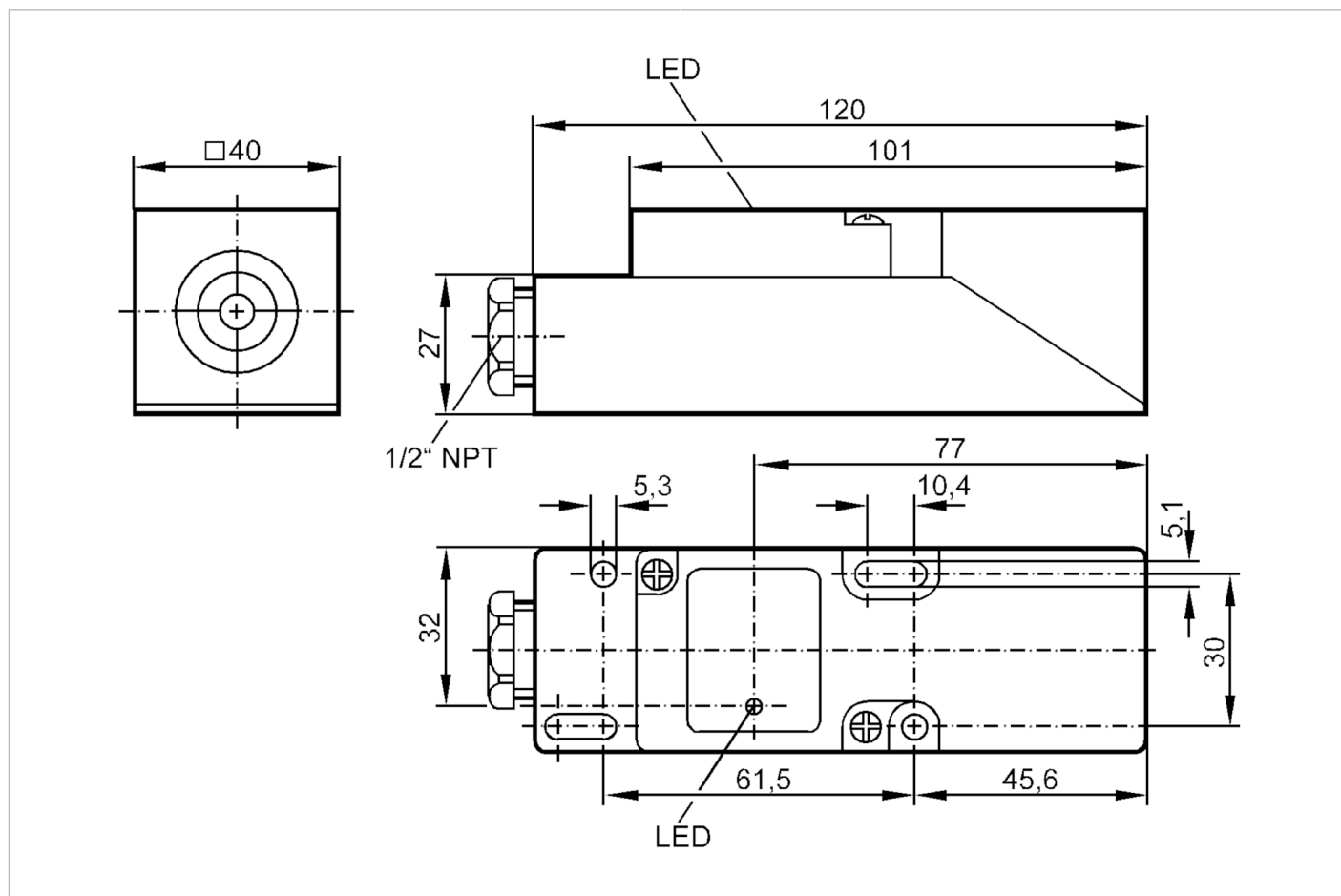


IM0020



Inductive sensor

IME2015BFBOA/NPT/RT



Product characteristics

Output function		normally open / normally closed; (selectable)
Sensing range	[mm]	15
Housing		rectangular

Electrical data

Operating voltage	[V]	20...250 AC/DC
Protection class		II
Reverse polarity protection		no

IM0020



Inductive sensor

IME2015BFBOA/NPT/RT

Outputs		
Output function		normally open / normally closed; (selectable)
Max. voltage drop switching output DC [V]		6
Max. voltage drop switching output AC [V]		6.5
Minimum load current [mA]		5
Max. leakage current [mA]		2.5 (250 V AC) / 1.3 (110 V AC) / 0.8 (24 V DC)
Permanent current rating of switching output AC [mA]		250; (350 (...50 °C))
Permanent current rating of switching output DC [mA]		100
Short-time current rating of switching output [mA]		2200; (20 ms / 0,5 Hz)
Switching frequency AC [Hz]		20
Switching frequency DC [Hz]		55
Short-circuit proof		no
Overload protection		no
Detection zone		
Sensing range [mm]		15
Real sensing range Sr [mm]		15 ± 10 %
Operating distance [mm]		0...12.1
Accuracy / deviations		
Correction factor		steel: 1 / stainless steel: 0.7 / brass: 0.4 / aluminium: 0.3 / copper: 0.2
Hysteresis [% of Sr]		1...15
Switch point drift [% of Sr]		-10...10
Operating conditions		
Ambient temperature [°C]		-25...80
Protection		IP 65
Tests / approvals		
EMC		EN 60947-5-2
		EN 55011 class B
MTTF [years]		603
UL approval		Ta
		0...40 °C
		Enclosure type
		Type 1
	voltage supply	Hazardous voltage
	File number UL	E174191
Mechanical data		
Weight [g]		199
Housing		rectangular
Mounting		flush mountable
Materials		PPE
Displays / operating elements		
Display	switching status	1 x LED, red
Electrical connection		
Required protection		miniature fuse to IEC60127-2 sheet 1; ≤ 2 A; fast acting

IM0020



Inductive sensor

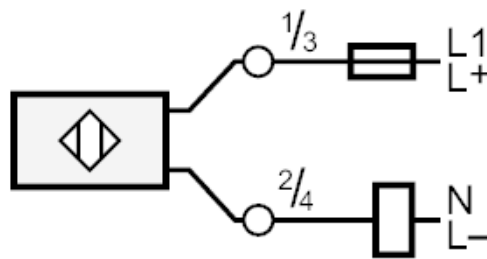
IME2015BFBOA/NPT/RT

Remarks	
Remarks	Recommendation: Check the safe functioning of the unit after a short circuit. 5 positions of the active zone possible
Pack quantity	1 pcs.

Electrical connection

terminals: ...2.5 mm²; Cable sheath: Ø 7...13 mm

Connection



Note miniature fuse to IEC60127-2 sheet 1 ≤ 2 A fast acting