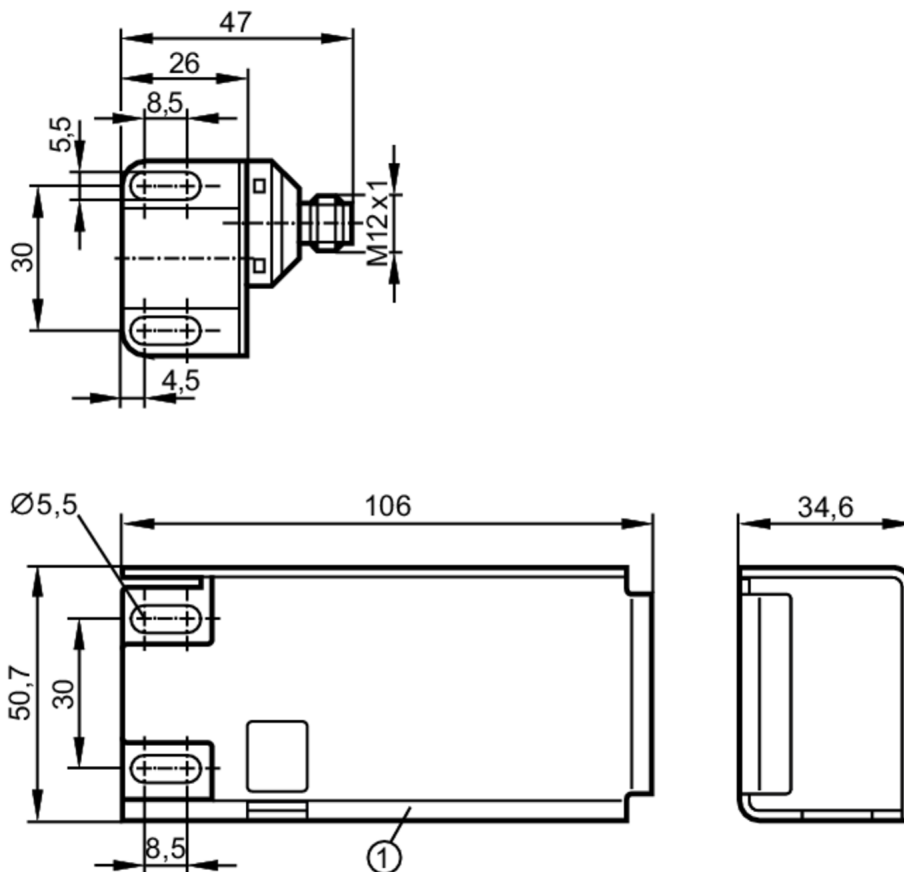


IN507A



Inductive dual sensor for valve actuators

IND3004DBPKG/US/3D/3G



1 Impact protection housing



Product characteristics

| | | |
|-------------------|------|-------------------|
| Electrical design | | PNP |
| Output function | | 2 x normally open |
| Sensing range | [mm] | 4 |
| Housing | | rectangular |
| Dimensions | [mm] | 40 x 26 x 47 |

Electrical data

| | | |
|-----------------------------|------|------------|
| Operating voltage | [V] | 10...30 DC |
| Current consumption | [mA] | < 15 |
| Protection class | | III |
| Reverse polarity protection | | yes |

IN507A



Inductive dual sensor for valve actuators

IND3004DBPKG/US/3D/3G

| Outputs | | |
|---|------------------|--|
| Electrical design | | PNP |
| Output function | | 2 x normally open |
| Max. voltage drop switching output DC | [V] | 2.5 |
| Permanent current rating of switching output DC | [mA] | 100 |
| Short-time current rating of switching output | [mA] | 100 |
| Switching frequency DC | [Hz] | 1300 |
| Short-circuit protection | | yes |
| Type of short-circuit protection | | pulsed |
| Overload protection | | yes |
| Detection zone | | |
| Sensing range | [mm] | 4 |
| Operating distance target puck | [mm] | 1 |
| Accuracy / deviations | | |
| Correction factor | | steel: 1 / stainless steel: 0.7 / brass: 0.5 / aluminium: 0.4 / copper: 0.3 |
| Hysteresis | [% of Sr] | 1...15 |
| Switch point drift | [% of Sr] | -10...10 |
| Operating conditions | | |
| Ambient temperature | [°C] | -20...60 |
| Protection | | IP 67 |
| Tests / approvals | | |
| ATEX marking | | Ex II 3D Ex tc IIIC T80°C Dc IP67 X Ex II 3G Ex nA IIC T6 Gc X |
| Note on ATEX marking | | only in conjunction with the impact protection housing |
| EMC | | EN 60947-5-2 |
| MTTF | [years] | 1064 |
| Mechanical data | | |
| Weight | [g] | 341.5 |
| Housing | | rectangular |
| Dimensions | [mm] | 40 x 26 x 47 |
| Materials | | housing: PBT; cover: PC; plug: stainless steel; Impact protection housing: stainless steel |
| Displays / operating elements | | |
| Display | switching status | 2 x LED, yellow |
| Accessories | | |
| Accessories (supplied) | | Impact protection housing socket head screws: 2 x M5 x 35 Mounting plate: 1 |
| Remarks | | |
| Pack quantity | | 1 pcs. |

IN507A



Inductive dual sensor for valve actuators

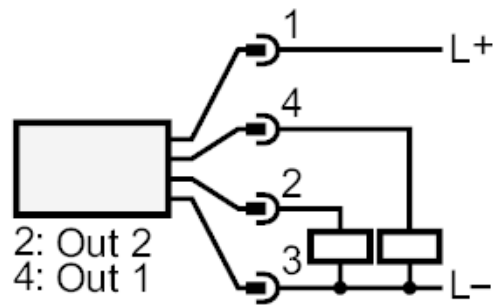
IND3004DBPKG/US/3D/3G

Electrical connection - plug

Connector: 1 x M12



Connection



2: Out 2
4: Out 1