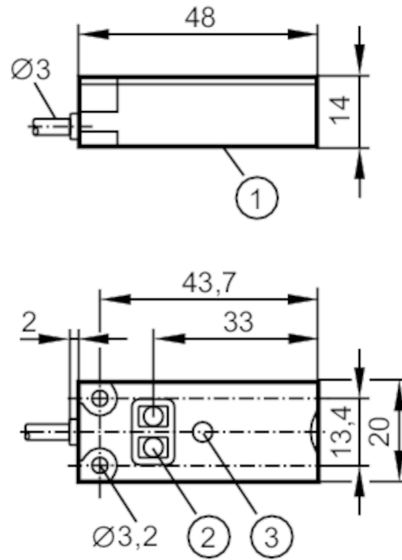


KQ6006



Capacitive sensor

KQ-3120NFNKG/2T



- 1 Sensing face
- 2 programming buttons
- 3 LED



Product characteristics

Electrical design	NPN
Output function	normally open / normally closed; (selectable)
Sensing range [mm]	12
Communication interface	IO-Link
Housing	rectangular
Dimensions [mm]	20 x 14 x 48

Application

Installation	detection through non-metallic container wall or on bypass pipes
Media	dry bulk material; liquids

Electrical data

Operating voltage [V]	10...36 DC
Current consumption [mA]	< 17
Protection class	III
Reverse polarity protection	yes

Outputs

Electrical design	NPN
Output function	normally open / normally closed; (selectable)
Max. voltage drop switching output DC [V]	2.5
Permanent current rating of switching output DC [mA]	100
Switching frequency DC [Hz]	10
Short-circuit protection	yes
Overload protection	yes

KQ6006



Capacitive sensor

KQ-3120NFKNG/2T

Detection zone		
Sensing range	[mm]	12
Real sensing range Sr	[mm]	12 ± 10 %
Accuracy / deviations		
Hysteresis	[% of Sr]	1...15
Switch point drift	[% of Sr]	-20...20
Interfaces		
Communication interface		IO-Link
Transmission type		COM1 (4,8 kBaud)
IO-Link revision		1.1
SDCI standard		IEC 61131-9 CDV
IO-Link device ID		371d / 000173h
Profiles		Smart Sensor
SIO mode		yes
Operating conditions		
Ambient temperature	[°C]	-25...80
Protection		IP 65; IP 67
Tests / approvals		
EMC	EN 61000-4-2	4 kV CD / 8 kV AD
	EN 61000-4-3	3 V/m
	EN 61000-4-4	2 kV
	EN 61000-4-6	3 ms
	EN 55011	class B
Vibration resistance		(10...55 Hz) / 1 mm amplitude, oscillation period 5 min., 30 min. per axis at resonance or 55 Hz
Shock resistance		30 g 6 shocks / 11 ms half-sine (x, y, z)
MTTF	[years]	623
Mechanical data		
Weight	[g]	46.2
Housing		rectangular
Mounting		non-flush mountable
Dimensions	[mm]	20 x 14 x 48
Materials		housing: PBT glass fibre reinforced; pushbuttons: TPE-U; cover: PC glass fibre reinforced
Displays / operating elements		
Display	switching status	1 x LED, yellow
Teach function		yes
Electronic lock		yes
Remarks		
Pack quantity		1 pcs.

KQ6006



Capacitive sensor

KQ-3120NFNKG/2T

Electrical connection

Cable: 2 m, PVC; 3 x 0.14 mm²

Connection



BK: OUT / IO-Link

Core colours :

BK = black

BN = brown

BU = blue