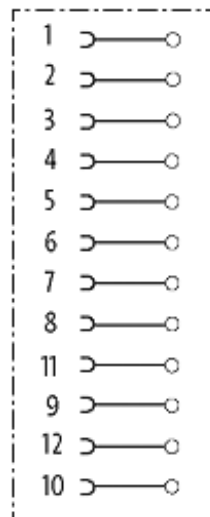


MSCON-B

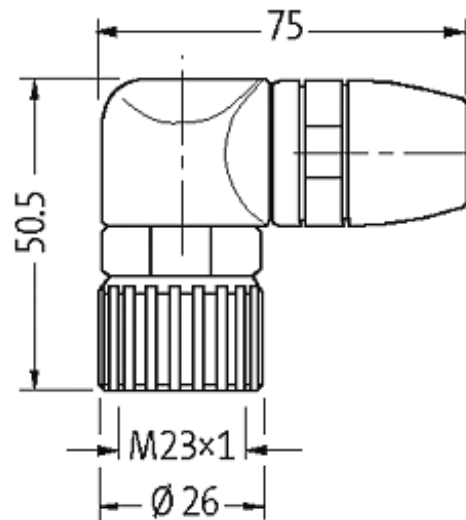
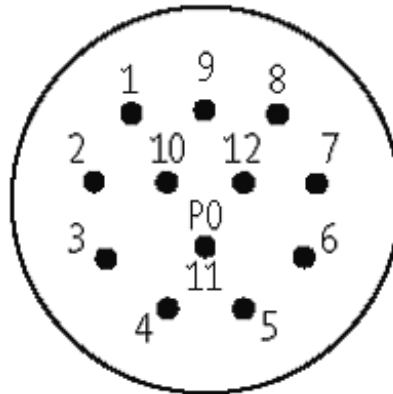
Female 90°
12-pole
Solder connection

[Link to Product](#)

Illustration



Female



Product may differ from Image

Technical Data

Operating voltage	max. 125 V AC/DC
Operating current per contact	max. 8 A
Connection cross section	max. 1 mm ²
Sealing range (cable diameter)	8...14 mm
Connection	Solder buckets
Protection	IP67 inserted and tightened (EN 60529)

General data

Temperature range	-25...+85 °C
-------------------	--------------

Commercial data

country of origin	DE
customs tariff number	85369010
minimum order quantity	1