



UNDervOLTAGE RELEASE, AC 230V/50HZ, AC 240V/60HZ, WITH LEADING AUX. CONTACTS 2NO, W. SCREW CONNECTION, FOR CIRCUIT-BREAKERS 3RV2

General technical data:		
product brand name		SIRIUS
Product designation		undervoltage release
Size of the circuit-breaker		S00, S0, S2
Design of the product		with 2 auxiliary contacts
Suitability for use		motor circuit breaker
Protection class IP on the front		IP20
Design of short-circuit protection		fuse
Degree of pollution		3
Insulation voltage Rated value	V	690
Insulation voltage with degree of pollution 3 Rated value	V	690
Ambient temperature		
• during storage	°C	-50 ... +80
• during operation	°C	-20 ... +60
Equipment marking acc. to DIN 40719 extended according to IEC 204-2 acc. to IEC 750		F
Equipment marking acc. to DIN EN 61346-2		F

Auxiliary circuit:		
Number of NC contacts for auxiliary contacts instantaneous contact		0
Number of NO contacts for auxiliary contacts instantaneous contact		0
Number of NO contacts for auxiliary contacts leading contact		2

Number of CO contacts of the auxiliary contacts instantaneous contact		0
---	--	---

#### Control circuit/ Control:

<b>Type of voltage of the control supply voltage</b>		AC
<b>Control supply voltage frequency</b>		
<ul style="list-style-type: none"> <li>• 1 <ul style="list-style-type: none"> <li>— Rated value</li> <li>— Initial rated value</li> <li>— Final rated value</li> </ul> </li> <li>• 2 Rated value</li> </ul>	     	     
<b>Control supply voltage</b>		
<ul style="list-style-type: none"> <li>• 1 <ul style="list-style-type: none"> <li>— for DC <ul style="list-style-type: none"> <li>— Rated value</li> <li>— Initial rated value</li> <li>— Final rated value</li> </ul> </li> <li>— with AC <ul style="list-style-type: none"> <li>— at 50 Hz Rated value</li> <li>— at 50 Hz Initial rated value</li> <li>— at 50 Hz Final rated value</li> <li>— at 60 Hz Rated value</li> <li>— at 60 Hz Final rated value</li> <li>— at 60 Hz Initial rated value</li> </ul> </li> </ul> </li> <li>• 2 <ul style="list-style-type: none"> <li>— for DC Rated value</li> <li>— with AC <ul style="list-style-type: none"> <li>— at 50 Hz Rated value</li> <li>— at 60 Hz Rated value</li> </ul> </li> </ul> </li> </ul>	                     	                     

#### Installation/ mounting/ dimensions:

<b>Mounting type</b>		snap-on mounting
<b>Width</b>	mm	18.5
<b>Height</b>	mm	90
<b>Depth</b>	mm	68
<b>Required spacing with side-by-side mounting</b>		
<ul style="list-style-type: none"> <li>• forwards</li> <li>• Backwards</li> <li>• upwards</li> <li>• downwards</li> <li>• at the side</li> </ul>		     
<b>Required spacing for grounded parts</b>		
<ul style="list-style-type: none"> <li>• forwards</li> </ul>		<kein Wert>

- Backwards
- upwards
- at the side
- downwards

<kein Wert>  
<kein Wert>  
<kein Wert>  
<kein Wert>

**Required spacing for live parts**

- forwards
- Backwards
- upwards
- downwards
- at the side

<kein Wert>  
<kein Wert>  
<kein Wert>  
<kein Wert>  
<kein Wert>

**Certificates/ approvals:**

**Certificate of suitability**

CE / UL / CSA

<b>General Product Approval</b>	<b>Declaration of Conformity</b>	<b>Test Certificates</b>	<b>Shipping Approval</b>
---------------------------------	----------------------------------	--------------------------	--------------------------



[Special Test Certificate](#)

[Type Test Certificates/Test Report](#)



**Shipping Approval**



<b>Shipping Approval</b>	<b>other</b>
--------------------------	--------------



[Environmental Confirmations](#)

[Confirmation](#)



[other](#)

**Further information**

**Information- and Downloadcenter (Catalogs, Brochures,...)**

<http://www.siemens.com/industrial-controls/catalogs>

**Industry Mall (Online ordering system)**

<http://www.siemens.com/industrymall>

**Cax online generator**

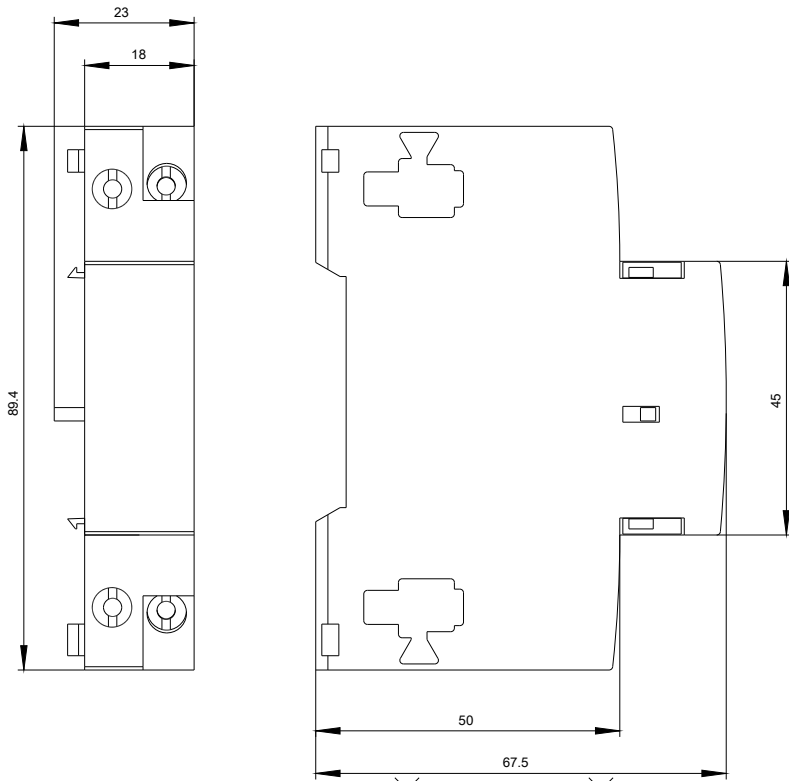
<http://support.automation.siemens.com/WW/CAXorder/default.aspx?lang=en&mfb=3RV29221CP0>

**Service&Support (Manuals, Certificates, Characteristics, FAQs,...)**

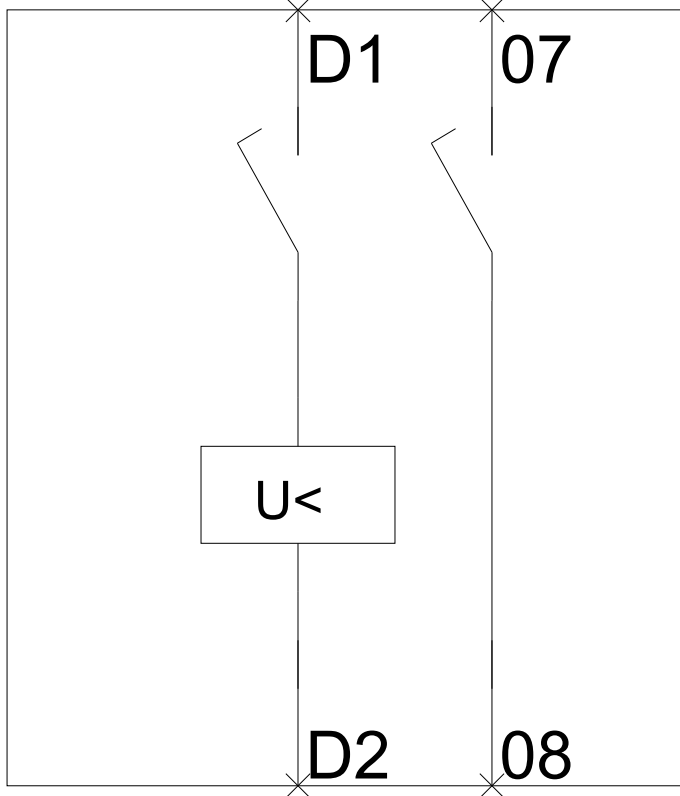
<http://support.automation.siemens.com/WW/view/en/3RV29221CP0/all>

**Image database (product images, 2D dimension drawings, 3D models, device circuit diagrams, EPLAN macros, ...)**

<http://www.automation.siemens.com/bilddb/index.aspx?attID9=3RV29221CP0&lang=en>



**-F**



last modified:

09.03.2015