



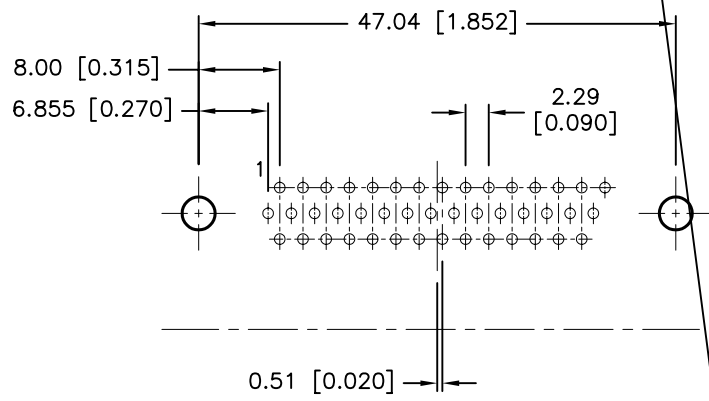
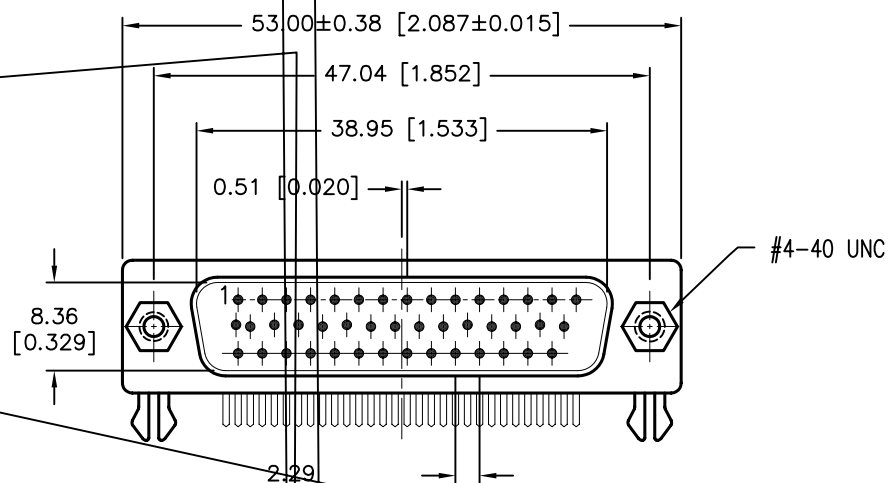
ALL RIGHTS RESERVED. NO PORTION OF THIS PUBLICATION, WHETHER IN WHOLE OR IN PART CAN BE REPRODUCED WITHOUT THE EXPRESS WRITTEN CONSENT OF SPC TECHNOLOGY.

SPC-F005.DWG

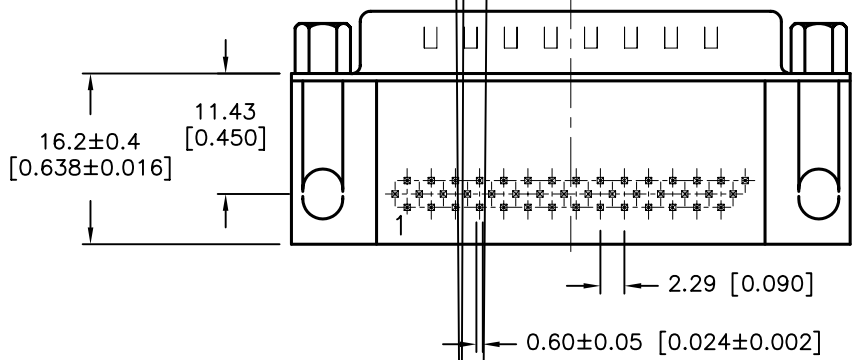
REVISIONS

DOC. NO. SPC-F005 * Effective: 7/8/02 * DCP No: 1398

DCP #	REV	DESCRIPTION	DRAWN	DATE	CHECKD	DATE	APPRVD	DATE
1876	A	RELEASED	EO	07/25/06	SA	07/25/06	HO	07/25/06



P.C.B. LAYOUT



S:

Shell: Steel, Nickel-Plated
 Insulator: PBT + 30%Fiber-Glass, UL94V-0 Black color
 Contacts: Brass, Gold-Flash over Nickel
 Board Lock: Brass, Tin-Plated
 Rivet: Metal, Nickel-Plated
 Jack-Screw: Brass, Nickel-Plated
 Current Rating: 5 Amps
 Contact Resistance: 15 miliohms Max
 Insulator Resistance: 1000 Megohms Min
 Voltage: 500 VAC FOR 1 Minute
 Temperature: -50°C TO +100°C

DISCLAIMER:
 ALL STATEMENTS AND TECHNICAL INFORMATION CONTAINED HEREIN ARE BASED UPON INFORMATION AND/OR TESTS WE BELIEVE TO BE ACCURATE AND RELIABLE. SINCE CONDITIONS OF USE ARE BEYOND OUR CONTROL, THE USER SHALL DETERMINE THE SUITABILITY OF THE PRODUCT FOR THE INTENDED USE AND ASSUME ALL RISK AND LIABILITY WHATSOEVER IN CONNECTION THEREWITH.

TOLERANCES: Unless Otherwise Specified .X ±0.35 [0.014] .XX ±0.15 [0.006] .XXX ±0.10 [0.004]	DRAWN BY:	DATE:	DRAWING TITLE:			
	EKLAS ODISH	07/25/06	44 Pin High-Density D-Sub Connector, R/A PCB Mount			
.X ±0.35 [0.014] .XX ±0.15 [0.006] .XXX ±0.10 [0.004]	CHECKED BY:	DATE:	SIZE	DWG. NO.	ELECTRONIC FILE	REV
	SAMI ALNADI	07/25/06	A	SPC15140	79K4753.DWG	A
.X ±0.35 [0.014] .XX ±0.15 [0.006] .XXX ±0.10 [0.004]	APPROVED BY:	DATE:	SCALE: NTS		U.O.M.: mm [INCHES]	
	HISHAM ODISH	07/25/06			SHEET: 1 OF 1	