



Main

| | |
|-------------------------------|------------------------------|
| Range of product | Harmony 9001K |
| Product or component type | Complete joystick controller |
| Device short name | 9001K |
| Sale per indivisible quantity | 1 |
| Type of operator | Spring return |
| Operator profile | 80 mm long operating shaft |

Complementary

| | |
|-------------------------------|-----------------------|
| Bezel material | Chromium plated metal |
| Mounting diameter | 30 mm |
| Product weight | 0.372 kg |
| Operating position | Horizontal |
| Shape of signaling unit head | Octagonal |
| Operator position information | 3 positions |
| Contacts type and composition | Without contact block |

Environment

| | |
|---------------------------------------|---|
| Protective treatment | TC |
| Ambient air temperature for storage | -40...70 °C |
| Ambient air temperature for operation | -25...70 °C |
| Overvoltage category | II conforming to IEC 61140 |
| IP degree of protection | IP66 conforming to IEC 60529 |
| NEMA degree of protection | NEMA 1 NEMA 12 NEMA 13 NEMA 2 NEMA 3 NEMA 3R NEMA 4 |

| | |
|------------------------|--|
| Standards | EN/IEC 60947-5-1 EN/IEC 60947-1 UL 508 JIS C 4520 EN/IEC 60947-5-4 JIS C 852 CSA C22.2 No 14 |
| Product certifications | UL 508 NEMA |
| Vibration resistance | 7 gn (f = 2...500 Hz) conforming to IEC 60068-2-6 |
| Shock resistance | 50 gn conforming to IEC 60068-2-27 |

Offer Sustainability

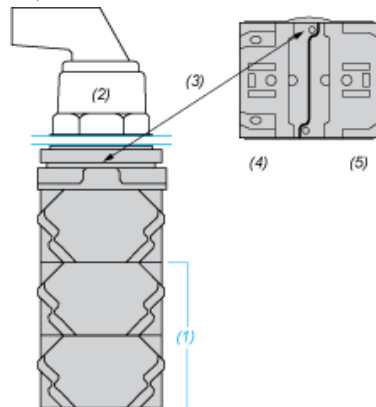
| | |
|------------------------|---|
| RoHS (date code: YYWW) | Compliant - since 0921 - Schneider Electric declaration of conformity Schneider Electric declaration of conformity |
| REACH | Reference not containing SVHC above the threshold Reference not containing SVHC above the threshold |

Contractual warranty

| | |
|-----------------|-----------|
| Warranty period | 18 months |
|-----------------|-----------|

Contact Block Mounting Position

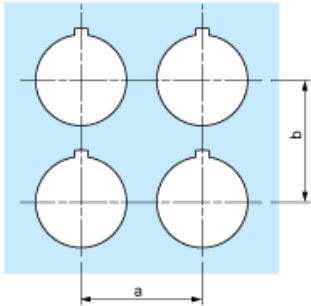
Top and Rear views



- (1) It is possible to mount up to 3 levels of contacts blocks (maximum of 6 contacts blocks)
- (2) Operator
- (3) Locating notch
- (4) Side 1
- (5) Side 2

Panel Cut-Out

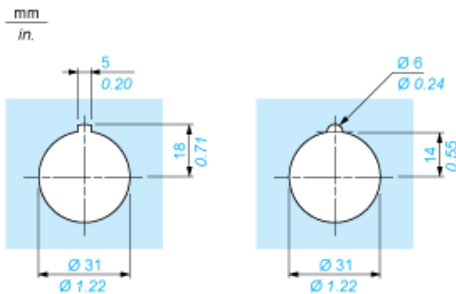
Clearance



| Legend plate | a min. | | b min. | |
|--------------|--------|------|--------|------|
| | mm | in. | mm | in. |
| 9001KN2** | 57.2 | 2.25 | 44.5 | 1.75 |
| 9001KN3** | 57.2 | 2.25 | 50.8 | 2.00 |

Individual Cut-outs Details

2 alternatives



Joystick Positions

