

# DTS26Z21-39AN [V001] ✓ ACTIVE

DEUTSCH | DEUTSCH 38999 Series III

TE Internal #: YDTS26Z21-39ANV001

Standard Circular Connectors, Cable-to-Panel, 39 Position,  
Sealable, Wire & Cable, Power & Signal, Panel Mount, DEUTSCH  
38999 Series III

[View on TE.com >](#)



Connectors > Circular Connectors > Standard Circular Connectors > D38999: Straight Plug, 21-39 Insert



Connector System: **Cable-to-Panel**

Number of Positions: **39**

Sealable: **Yes**

Connector & Contact Terminates To: **Wire & Cable**

Contact Current Rating (Max): **13 A**

[All D38999: Straight Plug, 21-39 Insert \(60\)](#)

## Features

### Product Type Features

Product Type	Connector
Connector System	Cable-to-Panel
Sealable	Yes
Connector & Contact Terminates To	Wire & Cable
Circular Connector Type	Plug
Shell Type	Straight Plug

### Configuration Features

Number of Positions	39
Number of Power Positions	2
Number of Signal Positions	37
Contacts Preloaded	No

### Body Features

Shell Plating Material	Black Zinc Nickel
Shell Base Material	Aluminum 6061-T6
Circular Connector Insulation Material Type	Hard Dielectric/Silicone
Hermetically Sealed	No



### Contact Features

Contact Current Rating (Max)	13 A
Reverse Gender	No
Contact Layout Arrangement	21 – 39
Circular Connector Contact Type	Less Pin

### Mechanical Attachment

Connector Mounting Type	Panel Mount
Polarization Code	N
Mating Alignment Type	Keyed
Mating Retention	With

### Housing Features

Circular Connector Shell Size	21
Alignment Keyed	Clocking

### Dimensions

Wire Size	.52 – 1.31 mm <sup>2</sup>
-----------	----------------------------

### Usage Conditions

Operating Temperature Range	-65 – 200 °C[-85 – 392 °F]
-----------------------------	----------------------------

### Operation/Application

Circuit Application	Power & Signal
Shielded	Yes

### Product Compliance

[For compliance documentation, visit the product page on TE.com>](#)

EU RoHS Directive 2011/65/EU	Compliant
EU ELV Directive 2000/53/EC	Compliant
China RoHS 2 Directive MIIT Order No 32, 2016	No Restricted Materials Above Threshold
EU REACH Regulation (EC) No. 1907/2006	Current ECHA Candidate List: JUNE 2022 (224) Candidate List Declared Against: JAN 2022 (223) SVHC > Threshold: Decamethylcyclopentasiloxane (D5) (5% in Insert subassembly)

**Article Safe Usage Statements:**  
Wash thoroughly after handling. Recycle if possible and dispose of the article by following all applicable governmental regulations relevant to your geographic location.



Halogen Content

Not Yet Reviewed for halogen content

Solder Process Capability

Not reviewed for solder process capability

Product Compliance Disclaimer

This information is provided based on reasonable inquiry of our suppliers and represents our current actual knowledge based on the information they provided. This information is subject to change. The part numbers that TE has identified as EU RoHS compliant have a maximum concentration of 0.1% by weight in homogenous materials for lead, hexavalent chromium, mercury, PBB, PBDE, DBP, BBP, DEHP, DIBP, and 0.01% for cadmium, or qualify for an exemption to these limits as defined in the Annexes of Directive 2011/65/EU (RoHS2). Finished electrical and electronic equipment products will be CE marked as required by Directive 2011/65/EU. Components may not be CE marked. Additionally, the part numbers that TE has identified as EU ELV compliant have a maximum concentration of 0.1% by weight in homogenous materials for lead, hexavalent chromium, and mercury, and 0.01% for cadmium, or qualify for an exemption to these limits as defined in the Annexes of Directive 2000/53/EC (ELV). Regarding the REACH Regulation, the information TE provides on SVHC in articles for this part number is based on the latest European Chemicals Agency (ECHA) 'Guidance on requirements for substances in articles' posted at this URL: <https://echa.europa.eu/guidance-documents/guidance-on-reach>

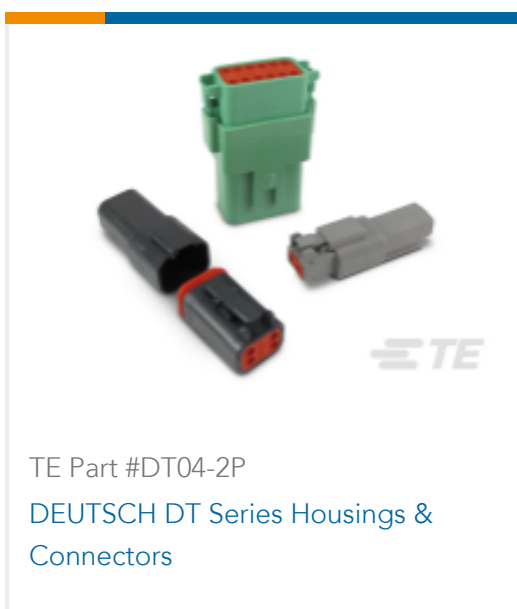
### Compatible Parts

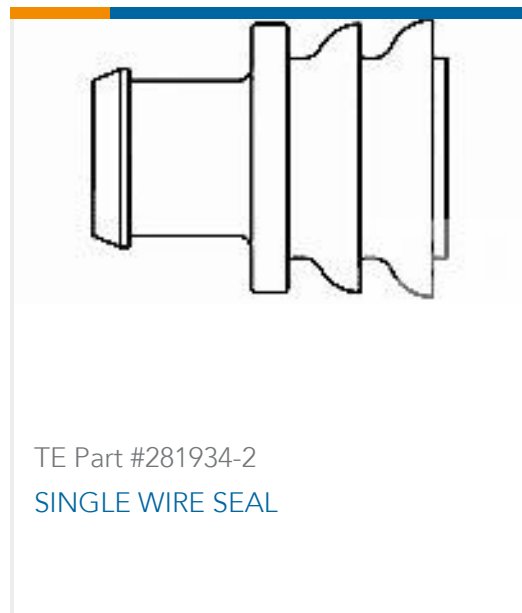


### Also in the Series | DEUTSCH 38999 Series III



### Customers Also Bought





## Documents

### Product Drawings

#### PLUG ASSY

English

### Datasheets & Catalog Pages

#### MIL-DTL-38999 Series III

English

#### DEUTSCH DTS Series Connectors for 38999 QRG

English