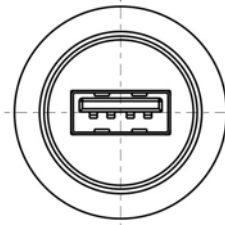
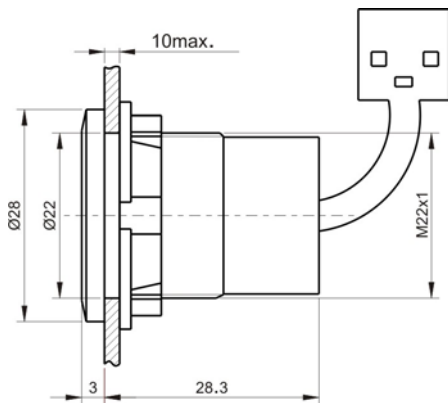


**Φ22 mm, USB2.0 Female A – Male A with 150 cm cable,  
silver surface, Ring illuminated**

**Version 05/16**

**BN no. 1457893 (Silver surface)**

**1457894 (Black surface)**



10MAX: means the panel thickness, the max thickness for the panel no more than 10mm.

Specification .....	USB2.0 Female A – Male A with 150 cm cable,
Mounting diameter .....	22 mm
LED colour .....	White circle illuminated
Body material .....	PC
Cap colour .....	silver cap or black cap
Transmission Speed.....	≥ 30 MB/s
Operating and storage temperature .....	-20 to +55 °C
Operating and storage humidity .....	10 to 85 % RH
Panel thickness .....	1 ~ 10 mm