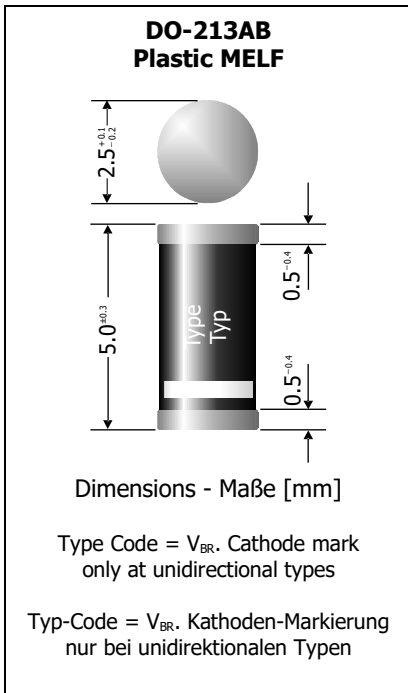


|   |                                  |                                       |
|---|----------------------------------|---------------------------------------|
| <b>TGL41-6.8 ... TGL41-440CA, TGL41-520C</b><br><b>SMD Transient Voltage Suppressor Diodes</b><br><b>SMD Spannungs-Begrenzer-Dioden</b> | <b>P<sub>PPM</sub> = 400 W</b>   | <b>V<sub>WM</sub> = 5.5 ... 423 V</b> |
|   | <b>P<sub>M(AV)</sub> = 1.0 W</b> | <b>V<sub>BR</sub> = 6.8 ... 520 V</b> |
|   | <b>T<sub>jmax</sub> = 150°C</b>  |                                       |

Version 2018-08-15



**Typical Applications**

Over-voltage protection  
 ESD protection  
 Free-wheeling diodes  
 Commercial grade <sup>1)</sup>

**Features**

Uni- and Bidirectional versions  
 Peak pulse power of 400 W (10/1000 μs waveform)  
 Very fast response time  
 Compliant to RoHS, REACH, Conflict Minerals <sup>1)</sup>

**Mechanical Data <sup>1)</sup>**

|                              |            |
|------------------------------|------------|
| Taped and reeled             | 5000 / 13" |
| Weight approx.               | 0.12 g     |
| Case material                | UL 94V-0   |
| Solder & assembly conditions | 260°C/10s  |
|                              | MSL = 1    |



**Typische Anwendungen**

Schutz gegen Überspannung  
 ESD-Schutz  
 Freilauf-Dioden  
 Standardausführung <sup>1)</sup>

**Besonderheiten**

Uni- und Bidirektionale Versionen  
 400 W Impuls-Verlustleistung (10/1000 μs Strom-Impuls)  
 Sehr schnelle Ansprechzeit  
 Konform zu RoHS, REACH, Konfliktmineralien <sup>1)</sup>

**Mechanische Daten <sup>1)</sup>**

|                            |
|----------------------------|
| Gegurtet auf Rolle         |
| Gewicht ca.                |
| Gehäusematerial            |
| Löt- und Einbaubedingungen |

For bidirectional types (suffix "C" or "CA"), electrical characteristics apply in both directions.  
 Für bidirektionale Dioden (mit Suffix "C" oder "CA") gelten die elektrischen Werte in beiden Richtungen.

**Maximum ratings <sup>2)</sup>**

**Grenzwerte <sup>2)</sup>**

|  |  |                                  |                              |
|--|--|----------------------------------|------------------------------|
| Peak pulse power dissipation (10/1000 μs waveform)<br>Impuls-Verlustleistung (Strom-Impuls 10/1000 μs) | T <sub>A</sub> = 25°C                                | P <sub>PPM</sub>                 | 400 W <sup>3)</sup>          |
| Steady state power dissipation – Verlustleistung im Dauerbetrieb                                       | T <sub>A</sub> = 25°C                                | P <sub>M(AV)</sub>               | 1 W <sup>4)</sup>            |
| Peak forward surge current<br>Stoßstrom in Fluss-Richtung  | Half sine-wave<br>Sinus-Halbwellen<br>60 Hz (8.3 ms) | I <sub>FSM</sub>                 | 40 A <sup>5)</sup>           |
| Junction temperature – Sperrschichttemperatur<br>Storage temperature – Lagerungstemperatur             |  | T <sub>j</sub><br>T <sub>s</sub> | -50...+150°C<br>-50...+150°C |

**Characteristics**

**Kennwerte**

|  |                       |  |                                      |  |
|--|-----------------------|--|--------------------------------------|--|
| Max. instantaneous forward voltage<br>Augenblickswert der Durchlass-Spannung   | I <sub>F</sub> = 25 A | V <sub>BR</sub> ≤ 200 V<br>V <sub>BR</sub> > 200 V | V <sub>F</sub>                       | < 3.5 V <sup>5)</sup><br>< 6.5 V <sup>5)</sup> |
| Thermal resistance junction to ambient – Wärmewiderstand Sperrschicht – Umgebung<br>Thermal resistance junction to terminal – Wärmewiderstand Sperrschicht – Anschluss |                       |  | R <sub>thA</sub><br>R <sub>thT</sub> | < 45 K/W <sup>4)</sup><br>< 10 K/W             |

1 Please note the [detailed information on our website](#) or at the beginning of the data book  
 Bitte beachten Sie die [detaillierten Hinweise auf unserer Internetseite](#) bzw. am Anfang des Datenbuches

2 T<sub>A</sub> = 25°C unless otherwise specified – T<sub>A</sub> = 25°C wenn nicht anders angegeben

3 Non-repetitive pulse see curve I<sub>pp</sub> = f(t) / P<sub>pp</sub> = f(t)  
 Höchstzulässiger Spitzenwert eines einmaligen Impulses, siehe Kurve I<sub>pp</sub> = f(t) / P<sub>pp</sub> = f(t)

4 Mounted on P.C. board with 25 mm<sup>2</sup> copper pads at each terminal  
 Montage auf Leiterplatte mit 25 mm<sup>2</sup> Kupferbelag (Löt-pad) an jedem Anschluss

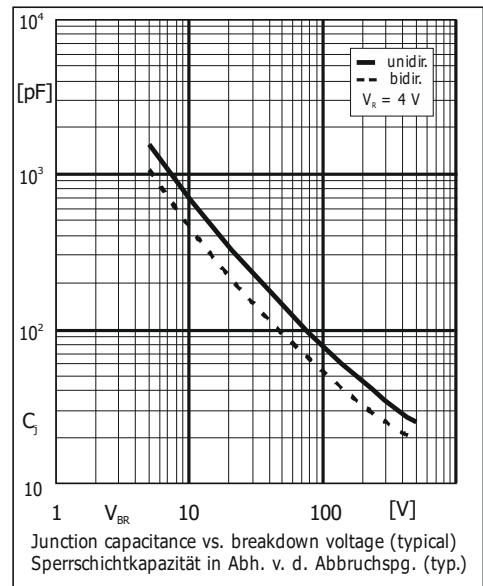
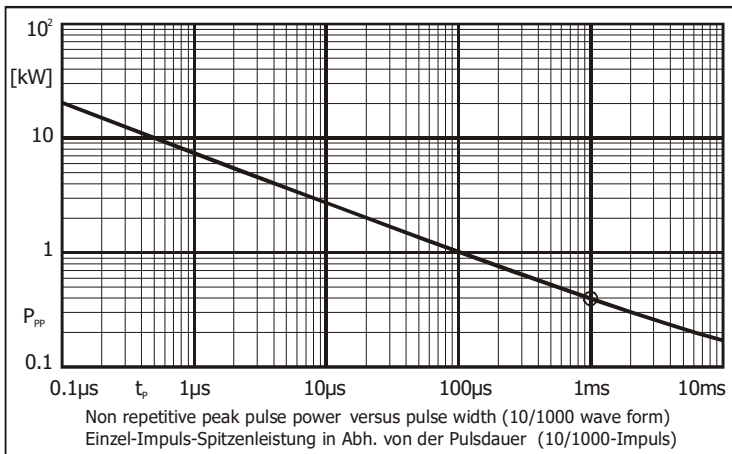
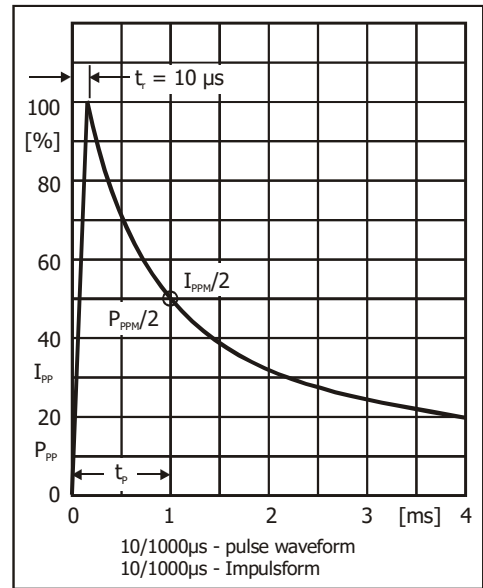
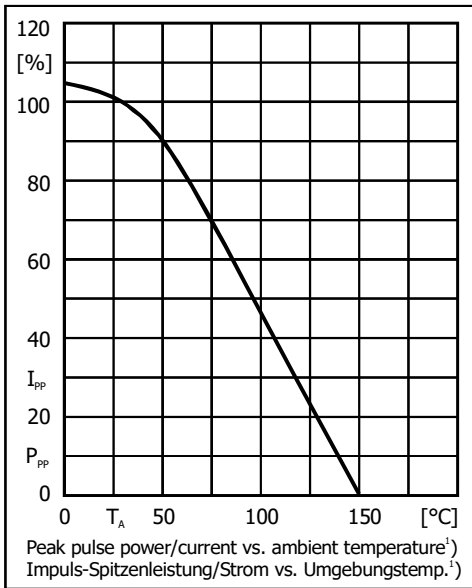
5 Unidirectional diodes only – Nur für unidirektionale Dioden

**Characteristics (T<sub>j</sub> = 25°C)**
**Kennwerte (T<sub>j</sub> = 25°C)**

| Type<br>Typ    |               | Breakdown voltage at I <sub>T</sub> = 1 mA<br>Abbruch-Spannung bei I <sub>T</sub> = 1 mA<br>*) at / bei I <sub>T</sub> = 10 mA |                | Stand-off<br>voltage<br>Sperrspannung | Max. rev. current<br>Max. Sperrstrom<br>at / bei V <sub>WM</sub> | Max. clamping voltage<br>Max. Begrenzer-Spannung<br>at / bei I <sub>PPM</sub> (10/1000 µs) |                      |
|----------------|---------------|--|----------------|---------------------------------------|--|--|----------------------|
| unidirectional | bidirectional | V <sub>BR</sub> [V]  |                | V <sub>WM</sub> [V]                   | I <sub>D</sub> [µA]  | V <sub>C</sub> [V]   | I <sub>PPM</sub> [A] |
| TGL41-6.8      | TGL41-6.8C    | 6.8 ± 10%  | 6.12...7.48 *) | 5.5                                   | 1000   | 10.8   | 38.0                 |
| TGL41-6.8A     | TGL41-6.8CA   | 6.8 ± 5%   | 6.45...7.14 *) | 5.8                                   | 1000   | 10.5   | 40.0                 |
| TGL41-7.5      | TGL41-7.5C    | 7.5 ± 10%  | 6.75...8.25 *) | 6.0                                   | 500  | 11.7   | 35.0                 |
| TGL41-7.5A     | TGL41-7.5CA   | 7.5 ± 5%   | 7.13...7.88 *) | 6.4                                   | 500  | 11.3   | 37.0                 |
| TGL41-8.2      | TGL41-8.2C    | 8.2 ± 10%  | 7.38...9.02 *) | 6.6                                   | 200  | 12.5   | 33.0                 |
| TGL41-8.2A     | TGL41-8.2CA   | 8.2 ± 5%   | 7.79...8.61 *) | 7.0                                   | 200  | 12.1   | 34.0                 |
| TGL41-9.1      | TGL41-9.1C    | 9.1 ± 10%  | 8.19...10.0    | 7.3                                   | 50   | 13.8   | 30.0                 |
| TGL41-9.1A     | TGL41-9.1CA   | 9.1 ± 5%   | 8.65...9.55    | 7.7                                   | 50   | 13.4   | 31.0                 |
| TGL41-10       | TGL41-10C     | 10 ± 10%   | 9.0...11.0     | 8.1                                   | 10   | 15.0   | 28.0                 |
| TGL41-10A      | TGL41-10CA    | 10 ± 5%  | 9.5...10.5     | 8.5                                   | 10   | 14.5   | 29.0                 |
| TGL41-11       | TGL41-11C     | 11 ± 10%   | 9.9...12.1     | 8.9                                   | 5  | 16.2   | 26.0                 |
| TGL41-11A      | TGL41-11CA    | 11 ± 5%  | 10.5...11.6    | 9.4                                   | 5  | 15.6   | 27.0                 |
| TGL41-12       | TGL41-12C     | 12 ± 10%   | 10.8...13.2    | 9.7                                   | 5  | 17.3   | 24.0                 |
| TGL41-12A      | TGL41-12CA    | 12 ± 5%  | 11.4...12.6    | 10.2                                  | 5  | 16.7   | 25.0                 |
| TGL41-13       | TGL41-13C     | 13 ± 10%   | 11.7...14.3    | 10.5                                  | 5  | 19.0   | 22.0                 |
| TGL41-13A      | TGL41-13CA    | 13 ± 5%  | 12.4...13.7    | 11.1                                  | 5  | 18.2   | 23.0                 |
| TGL41-15       | TGL41-15C     | 15 ± 10%   | 13.5...16.5    | 12.1                                  | 5  | 22.0   | 19.0                 |
| TGL41-15A      | TGL41-15CA    | 15 ± 5%  | 14.3...15.8    | 12.8                                  | 5  | 21.2   | 21.0                 |
| TGL41-16       | TGL41-16C     | 16 ± 10%   | 14.4...17.6    | 12.9                                  | 5  | 23.5   | 17.8                 |
| TGL41-16A      | TGL41-16CA    | 16 ± 5%  | 15.2...16.8    | 13.6                                  | 5  | 22.5   | 18.6                 |
| TGL41-18       | TGL41-18C     | 18 ± 10%   | 16.2...19.8    | 14.5                                  | 5  | 26.5   | 16.0                 |
| TGL41-18A      | TGL41-18CA    | 18 ± 5%  | 17.1...18.9    | 15.3                                  | 5  | 25.2   | 16.5                 |
| TGL41-20       | TGL41-20C     | 20 ± 10%   | 18.0...22.0    | 16.2                                  | 5  | 29.1   | 14.0                 |
| TGL41-20A      | TGL41-20CA    | 20 ± 5%  | 19.0...21.0    | 17.1                                  | 5  | 27.7   | 15.0                 |
| TGL41-22       | TGL41-22C     | 22 ± 10%   | 19.8...24.2    | 17.8                                  | 5  | 31.9   | 13.0                 |
| TGL41-22A      | TGL41-22CA    | 22 ± 5%  | 20.9...23.1    | 18.8                                  | 5  | 30.6   | 13.7                 |
| TGL41-24       | TGL41-24C     | 24 ± 10%   | 21.6...26.4    | 19.4                                  | 5  | 34.7   | 12.0                 |
| TGL41-24A      | TGL41-24CA    | 24 ± 5%  | 22.8...25.2    | 20.5                                  | 5  | 33.2   | 12.6                 |
| TGL41-27       | TGL41-27C     | 27 ± 10%   | 24.3...29.7    | 21.8                                  | 5  | 39.1   | 10.7                 |
| TGL41-27A      | TGL41-27CA    | 27 ± 5%  | 25.7...28.4    | 23.1                                  | 5  | 37.5   | 11.0                 |
| TGL41-30       | TGL41-30C     | 30 ± 10%   | 27.0...33.0    | 24.3                                  | 5  | 43.5   | 9.6                  |
| TGL41-30A      | TGL41-30CA    | 30 ± 5%  | 28.5...31.5    | 25.6                                  | 5  | 41.4   | 10.0                 |
| TGL41-33       | TGL41-33C     | 33 ± 10%   | 29.7...36.3    | 26.8                                  | 5  | 47.7   | 8.8                  |
| TGL41-33A      | TGL41-33CA    | 33 ± 5%  | 31.4...34.7    | 28.2                                  | 5  | 45.7   | 9.0                  |
| TGL41-36       | TGL41-36C     | 36 ± 10%   | 32.4...39.6    | 29.1                                  | 5  | 52.0   | 8.0                  |
| TGL41-36A      | TGL41-36CA    | 36 ± 5%  | 34.2...37.8    | 30.8                                  | 5  | 49.9   | 8.4                  |
| TGL41-39       | TGL41-39C     | 39 ± 10%   | 35.1...42.9    | 31.6                                  | 5  | 56.4   | 7.4                  |
| TGL41-39A      | TGL41-39CA    | 39 ± 5%  | 37.1...41.0    | 33.3                                  | 5  | 53.9   | 7.7                  |
| TGL41-43       | TGL41-43C     | 43 ± 10%   | 38.7...47.3    | 34.8                                  | 5  | 61.9   | 6.7                  |
| TGL41-43A      | TGL41-43CA    | 43 ± 5%  | 40.9...45.2    | 36.8                                  | 5  | 59.3   | 7.0                  |
| TGL41-47       | TGL41-47C     | 47 ± 10%   | 42.3...51.7    | 38.1                                  | 5  | 67.8   | 6.2                  |
| TGL41-47A      | TGL41-47CA    | 47 ± 5%  | 44.7...49.4    | 40.2                                  | 5  | 64.8   | 6.4                  |
| TGL41-51       | TGL41-51C     | 51 ± 10%   | 45.9...56.1    | 41.3                                  | 5  | 73.5   | 5.7                  |
| TGL41-51A      | TGL41-51CA    | 51 ± 5%  | 48.5...53.6    | 43.6                                  | 5  | 70.1   | 6.0                  |

**Characteristics (T<sub>j</sub> = 25°C)****Kennwerte (T<sub>j</sub> = 25°C)**

| Type<br>Typ    |               | Breakdown voltage at I <sub>T</sub> = 1 mA<br>Abbruch-Spannung bei I <sub>T</sub> = 1 mA<br>) at / bei I <sub>T</sub> = 10 mA |             | Stand-off voltage<br>Sperrspannung | Max. rev. current<br>Max. Sperrstrom<br>at / bei V <sub>WM</sub> | Max. clamping voltage<br>Max. Begrenzer-Spannung<br>at / bei I <sub>PPM</sub> (10/1000 μs) |                      |
|----------------|---------------|---|-------------|------------------------------------|--|--|----------------------|
| unidirectional | bidirectional | V <sub>BR</sub> [V]   |             | V <sub>WM</sub> [V]                | I <sub>D</sub> [μA]  | V <sub>C</sub> [V]   | I <sub>PPM</sub> [A] |
| TGL41-56       | TGL41-56C     | 56 ± 10%  | 50.4...61.6 | 45.4                               | 5  | 81   | 5.2                  |
| TGL41-56A      | TGL41-56CA    | 56 ± 5%   | 53.2...58.8 | 47.8                               | 5  | 77   | 5.4                  |
| TGL41-62       | TGL41-62C     | 62 ± 10%  | 55.8...68.8 | 50.2                               | 5  | 89   | 4.7                  |
| TGL41-62A      | TGL41-62CA    | 62 ± 5%   | 58.9...65.1 | 53.0                               | 5  | 85   | 5.0                  |
| TGL41-68       | TGL41-68C     | 68 ± 10%  | 61.2...74.8 | 55.1                               | 5  | 98   | 4.2                  |
| TGL41-68A      | TGL41-68CA    | 68 ± 5%   | 64.6...71.4 | 58.1                               | 5  | 92   | 4.5                  |
| TGL41-75       | TGL41-75C     | 75 ± 10%  | 67.5...82.5 | 60.7                               | 5  | 108  | 3.8                  |
| TGL41-75A      | TGL41-75CA    | 75 ± 5%   | 71.3...78.8 | 64.1                               | 5  | 103  | 4.0                  |
| TGL41-82       | TGL41-82C     | 82 ± 10%  | 73.8...90.2 | 66.4                               | 5  | 118  | 3.5                  |
| TGL41-82A      | TGL41-82CA    | 82 ± 5%   | 77.9...86.1 | 70.1                               | 5  | 113  | 3.7                  |
| TGL41-91       | TGL41-91C     | 91 ± 10%  | 81.9...100  | 73.7                               | 5  | 131  | 3.2                  |
| TGL41-91A      | TGL41-91CA    | 91 ± 5%   | 86.5...95.5 | 77.8                               | 5  | 125  | 3.3                  |
| TGL41-100      | TGL41-100C    | 100 ± 10%   | 90.0...110  | 81.0                               | 5  | 144  | 2.9                  |
| TGL41-100A     | TGL41-100CA   | 100 ± 5%  | 95.0...105  | 85.5                               | 5  | 137  | 3.0                  |
| TGL41-110      | TGL41-110C    | 110 ± 10%   | 99.0...121  | 89.2                               | 5  | 158  | 2.6                  |
| TGL41-110A     | TGL41-110CA   | 110 ± 5%  | 105...116   | 94.0                               | 5  | 152  | 2.7                  |
| TGL41-120      | TGL41-120C    | 120 ± 10%   | 108...132   | 97.2                               | 5  | 173  | 2.4                  |
| TGL41-120A     | TGL41-120CA   | 120 ± 5%  | 114...126   | 102                                | 5  | 165  | 2.5                  |
| TGL41-130      | TGL41-130C    | 130 ± 10%   | 117...143   | 105                                | 5  | 187  | 2.2                  |
| TGL41-130A     | TGL41-130CA   | 130 ± 5%  | 124...137   | 111                                | 5  | 179  | 2.3                  |
| TGL41-150      | TGL41-150C    | 150 ± 10%   | 135...165   | 121                                | 5  | 215  | 1.9                  |
| TGL41-150A     | TGL41-150CA   | 150 ± 5%  | 143...158   | 128                                | 5  | 207  | 2.0                  |
| TGL41-160      | TGL41-160C    | 160 ± 10%   | 144...176   | 130                                | 5  | 230  | 1.8                  |
| TGL41-160A     | TGL41-160CA   | 160 ± 5%  | 152...168   | 136                                | 5  | 219  | 1.9                  |
| TGL41-170      | TGL41-170C    | 170 ± 10%   | 153...187   | 138                                | 5  | 244  | 1.7                  |
| TGL41-170A     | TGL41-170CA   | 170 ± 5%  | 162...179   | 145                                | 5  | 234  | 1.8                  |
| TGL41-180      | TGL41-180C    | 180 ± 10%   | 162...198   | 146                                | 5  | 258  | 1.6                  |
| TGL41-180A     | TGL41-180CA   | 180 ± 5%  | 171...189   | 154                                | 5  | 246  | 1.7                  |
| TGL41-200      | TGL41-200C    | 200 ± 10%   | 180...220   | 162                                | 5  | 287  | 1.4                  |
| TGL41-200A     | TGL41-200CA   | 200 ± 5%  | 190...210   | 171                                | 5  | 274  | 1.5                  |
| TGL41-220      | TGL41-220C    | 220 ± 10%   | 198...242   | 175                                | 5  | 344  | 1.2                  |
| TGL41-220A     | TGL41-220CA   | 220 ± 5%  | 209...231   | 185                                | 5  | 328  | 1.2                  |
| TGL41-250      | TGL41-250C    | 250 ± 10%   | 225...275   | 202                                | 5  | 360  | 1.1                  |
| TGL41-250A     | TGL41-250CA   | 250 ± 5%  | 237...263   | 214                                | 5  | 344  | 1.2                  |
| TGL41-300      | TGL41-300C    | 300 ± 10%   | 270...330   | 243                                | 5  | 430  | 0.9                  |
| TGL41-300A     | TGL41-300CA   | 300 ± 5%  | 285...315   | 256                                | 5  | 414  | 1.0                  |
| TGL41-350      | TGL41-350C    | 350 ± 10%   | 315...385   | 284                                | 5  | 504  | 0.8                  |
| TGL41-350A     | TGL41-350CA   | 350 ± 5%  | 332...368   | 300                                | 5  | 482  | 0.8                  |
| TGL41-400      | TGL41-400C    | 400 ± 10%   | 360...440   | 324                                | 5  | 574  | 0.7                  |
| TGL41-400A     | TGL41-400CA   | 400 ± 5%  | 380...420   | 342                                | 5  | 548  | 0.7                  |
| TGL41-440      | TGL41-440C    | 440 ± 10%   | 396...484   | 356                                | 5  | 631  | 0.6                  |
| TGL41-440A     | TGL41-440CA   | 440 ± 5%  | 418...462   | 376                                | 5  | 602  | 0.7                  |
| -              | TGL41-520C    | 520 ± 10%   | 470...570   | 423                                | 5  | 745  | 0.5                  |



The range of type numbers is graded to the international E 24 standard. The standard tolerance of the breakdown voltage for each type is  $\pm 10\%$ . Suffix "A" denotes a tolerance of  $\pm 5\%$  for the breakdown voltage.

e.g.: TGL41-51C = bidirectional diode,  $V_{BR} = 51 \text{ V} (\pm 10\%)$ ,  $V_{WM} \geq 41.3 \text{ V}$  at  $I_D = 5 \mu\text{A}$   
TGL41-9.1A = unidirectional diode,  $V_{BR} = 9.1 \text{ V} (\pm 5\%)$ ,  $V_{WM} \geq 7.7 \text{ V}$  at  $I_D = 50 \mu\text{A}$

Die Abstufung der Typen innerhalb der Reihe entspricht dem internationalen E 24-Standard. Die Toleranz der Abbruchspannung jedes einzelnen Typs beträgt in der Standardausführung  $\pm 10\%$ . Suffix "A" kennzeichnet eine Toleranz der Abbruchspannung von  $\pm 5\%$ .

**Disclaimer:** See data book page 2 or [website](#)  
**Haftungsausschluss:** Siehe Datenbuch Seite 2 oder [Internet](#)

1 Mounted on P.C. board with 25 mm<sup>2</sup> copper pads at each terminal  
Montage auf Leiterplatte mit 25 mm<sup>2</sup> Kupferbelag (Lötpad) an jedem Anschluss

## All rights reserved

The information presented in our data sheets and other documents is to the best of our knowledge true and accurate. It describes the type of component or application and shall not be considered as assured characteristics. No warranty or guarantee, expressed or implied is made regarding the capacity, delivery, performance or suitability of any product or circuit etc, neither does it convey any license under the patent rights of others. Diotec reserves the right to make changes without further notice. However, regular updating of all product information is provided on our website <sup>1)</sup>. All Diotec products are sold and shipped subject to our "Standard Terms and Conditions of Business" <sup>2)</sup>. The reproduction of all documents is prohibited without the expressed written permission of Diotec Semiconductor AG's Managing Board.

## Disclaimer

1. All products described or contained are designed and intended for use in standard applications, so called commercial/industrial grade, requiring an ordinary level of reliability.
2. Some products are available with the special grades "AEC-Q101 compliant" respectively "AEC-Q101 qualified". These are intended for applications up to ASIL B, but not for ASIL C or D <sup>3)</sup>.
3. Customers using these parts in applications requiring a special or specific grade of quality or reliability, such as (but not limited to) life supporting medical, military, aerospace, submarines, nuclear power etc, are obliged to validate whether the use in such cases is appropriate. Usage in such cases is on the own and sole risk of the customer.
4. If these products are to be used in applications requiring a special or specific grade of quality or reliability (refer to item 3.), in which failure or malfunction of the product may directly affect human life or health, user shall contact in advance Diotec Semiconductor AG's Managing Board (Heitersheim, Germany) to confirm that the intended use of the product is appropriate.
5. Although Diotec continuously enhances the quality and reliability of its products, customers must incorporate sufficient safety measures in their designs, such as redundancy, fire containment, and anti-failure, so that personal injury, fire or environmental damage can be prevented. Diotec excludes explicitly every implied warranty or liability regarding the fitness of the products to any other than standard applications.
6. All information described or contained herein are subject to change without notice. Please contact Diotec to obtain the latest information before incorporating Diotec products into any design.
7. All information described and contained herein are intended only to enable the buyer to order Diotec's products. The information must not be used for any other purpose.
8. In the event that any product described or contained herein falls under the category of strategic products controlled by the Bundesamt für Wirtschaft und Ausfuhrkontrolle, Germany, this product must not be exported without obtaining an export license from the Bundesministerium für Wirtschaft und Technologie, Germany in accordance with the valid laws.

## Alle Rechte vorbehalten

Die Angaben in unseren Datenblättern und sonstigen Dokumenten sind nach bestem Wissen gemacht. Sie dienen jedoch allein der Beschreibung und sind nicht als zugesagte Eigenschaften im Rechts-Sinne zu verstehen. Es wird keine Gewähr bezüglich Liefermöglichkeit, Ausführung oder Einsatzmöglichkeit der Bauelemente übernommen, noch dass die angegebenen Bauelemente, Baugruppen, Schaltungen etc. frei von Schutzrechten sind. Wir behalten uns Änderungen der aufgeführten Daten ohne vorherige Ankündigung vor. Alle Änderungen werden jedoch regelmäßig auf unserer Internet-Seite veröffentlicht <sup>1)</sup>. Verkauf und Lieferung von Diotec-Produkten erfolgt gemäß unseren "Allgemeinen Geschäftsbedingungen" <sup>2)</sup>. Die Vervielfältigung aller Dokumente ist nur mit schriftlicher Genehmigung des Vorstandes der Diotec Semiconductor AG gestattet.

## Haftungsausschluss

1. Alle beschriebenen oder enthaltenen Produkte sind für den Gebrauch in Standardanwendungen mit einem gewöhnlichen Zuverlässigkeitsniveau entworfen und bestimmt, bekannt als kommerziell/industrielle Anwendungen.
2. Einige Produkte sind mit den speziellen Qualifikationen „AEC-Q101 konform“ oder „AEC-Q101 qualifiziert“ erhältlich. Diese sind für Anwendungen bis maximal ASIL B bestimmt, nicht aber für ASIL C oder D <sup>3)</sup>.
3. Falls diese Produkte in Anwendungen verwendet werden sollen, die einen besonderen Grad der Qualität oder Zuverlässigkeit erfordern, z. B. (aber nicht begrenzt auf) lebenserhaltende Medizintechnik, Militärtechnik, Luft- und Raumfahrt, Unterwasserfahrzeuge, Nukleartechnik etc. ist der Anwender verpflichtet sicherzustellen, dass der beabsichtigte Gebrauch des vorgesehenen Produktes unbedenklich ist. Der Gebrauch für solche Anwendungen erfolgt auf eigenes und ausschließliches Risiko des Anwenders.
4. Falls diese Produkte in Anwendungen verwendet werden sollen, die einen besonderen Grad der Qualität oder Zuverlässigkeit erfordern (siehe Punkt 3.), insbesondere wenn durch Ausfall oder eine Störung des Produktes menschliches Leben oder Gesundheit direkt beeinflusst werden kann, muss im Voraus der Vorstand der Diotec Semiconductor AG (Heitersheim, Deutschland) bestätigen, dass der beabsichtigte Gebrauch des vorgesehenen Produktes unbedenklich ist.
5. Obwohl Diotec die Qualität und die Zuverlässigkeit seiner Produkte beständig erhöht, müssen Kunden ausreichende Sicherheitsvorkehrungen in ihren Designs vornehmen – wie Redundanz, Feuereindämmung und Ausfallschutz – damit Personenschäden, Feuer oder Umweltschädigung verhindert werden können. Diotec schließt ausdrücklich jede implizierte Garantie oder Verbindlichkeit aus, welche die Eignung der Produkte zu irgendwelchen anderen als Standardanwendungen betrifft.
6. Alle Informationen, die hier beschrieben oder enthalten sind, können jederzeit ohne jede Benachrichtigung geändert werden. Vor Einsatz eines Diotec Produktes in irgendeiner Anwendung sind bei Diotec die neuesten Informationen einzuholen.
7. Alle Informationen, die hier beschrieben oder enthalten sind, sollen dem Kunden nur ermöglichen, Diotec Produkte zu bestellen. Die Informationen dürfen zu keinem anderen Zweck verwendet werden.
8. Sollte ein hier beschriebenes oder enthaltenes Produkt unter Beschränkungen fallen, die durch das deutsche Bundesamt für Wirtschaft und Ausfuhrkontrolle geregelt werden, darf dieses Produkt in Übereinstimmung mit den gültigen Gesetzen nicht ohne Exportgenehmigung vom deutschen Bundesministerium für Wirtschaft und Technologie exportiert werden.

1 Refer to <http://diotec.com/> "Products/Product Changes" respectively "What's new/Datasheets"  
Siehe <http://diotec.com/> „Produkte/Produktänderungen“ bzw. „News/Datenblätter“

2 Refer data book or <http://diotec.com/> "Company" – Siehe Datenbuch oder <http://diotec.com/> „Unternehmen“

3 Refer to <http://diotec.com/> "Products/Important Information/Commercial grade ..."  
Siehe <http://diotec.com/> „Produkte/Wichtige Informationen/Standardausführung ...“