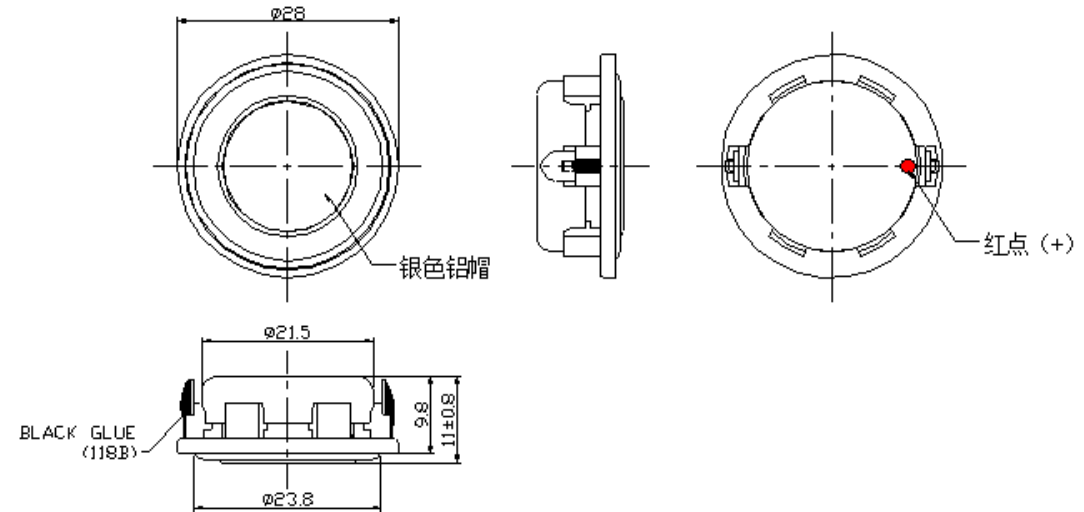


# ABS-266-RC 28.0x11.0mm 80HM DYNAMIC SPEAKER

SPEAKERS

Specifications	ABS-266-RC
Rated impedance 1.0KHz/1.0Vrms	8±15%Ω
Rated input power	2W
Max. input power	3.0W for 1 min.
Resonant frequency F <sub>0</sub>	270±20%Hz/1V
Frequency range	F0Hz-20,000Hz
Sound pressure level at (AVG 0.5,1.0,2.0, 4.0)KHz 0.89V/0.1m baffleboard (IEC)	86±3dB
Coil resistance	7.4±10%Ω
Total harmonic distortion	8%MAX. at 1KHz,0.1W
Voice coil diameter	dia. 16.28mm
Magnet (NdFeB)	dia.15.6mm x 3.0mm
Operating temperature	-20°C~+60°C
Storage temperature	-25°C~+70°C
Weight	17g

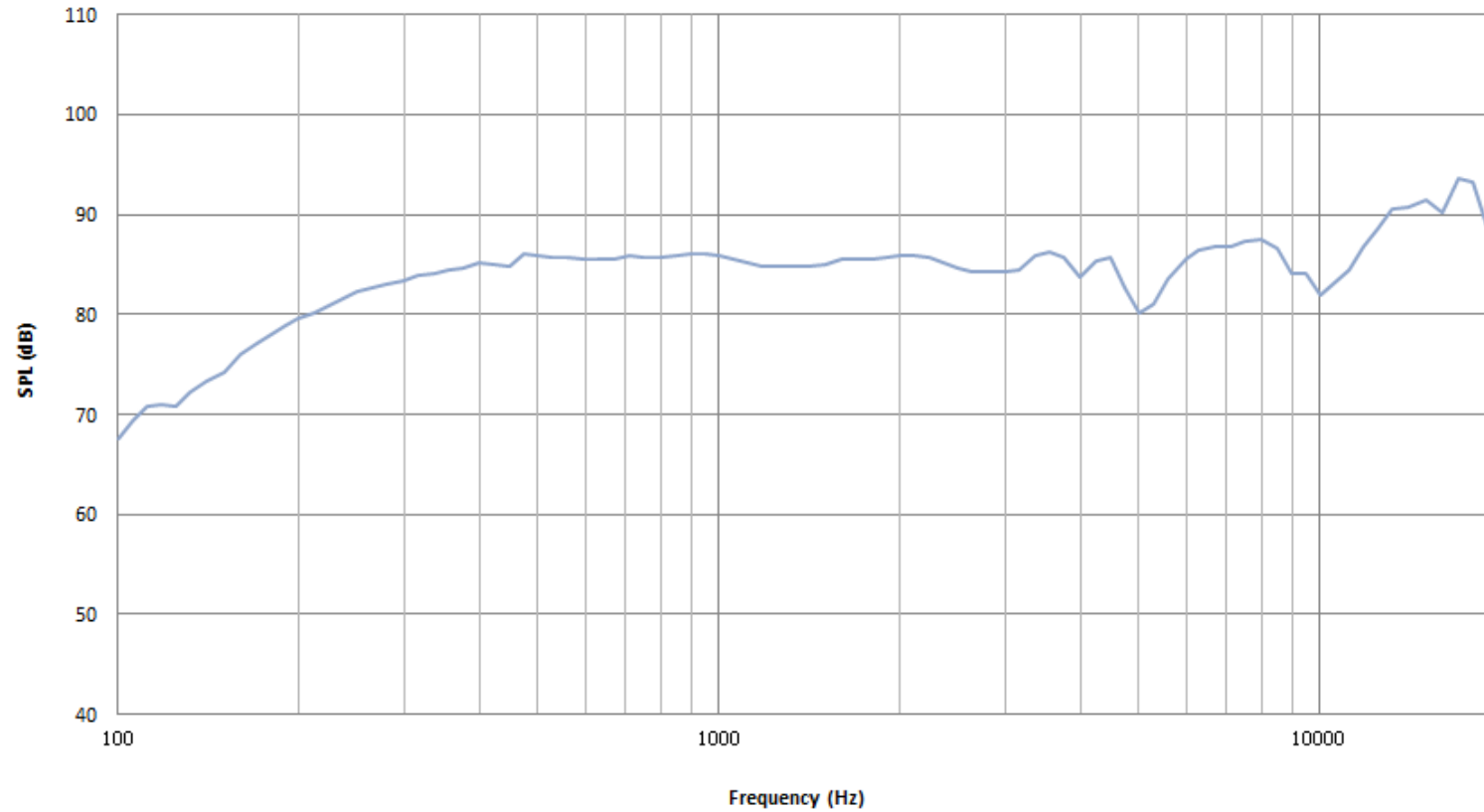


## Material

Frame - PBT	Plate & Yoke - SPCC
Cloth Cone - Foam	Magnet - NdFeB
Voice coil - KSV	Dust Cap - AL
Pin - Cu	

# ABS-266-RC 28.0x11.0tmm 8OHM DYNAMIC SPEAKER - Frequency Response Curve

SPEAKERS



Alan Butcher Components

Alan Butcher Components Ltd

Unit 1 Beechwood Clump Farm Industrial Estate Tin Pot Lane Blandford Dorset DT11 7TD

Telephone 01258 456360 Email [sales@abcomponents.co.uk](mailto:sales@abcomponents.co.uk)

[www.abcomponents.co.uk](http://www.abcomponents.co.uk)