

**TECHNICAL SPECIFICATIONS**

**D-Sub Hood:**

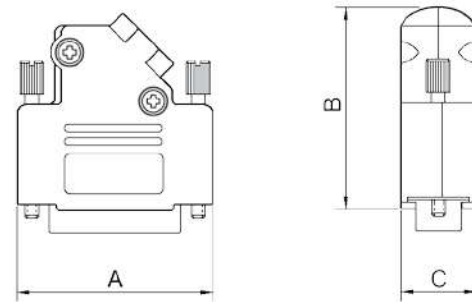
Material: UL 94 V-0 Plastic Material  
 Operating Temperature: -55°C to +110°C  
 Cable Entry: Side  
 Thumbscrews: UNC 4-40 (Standard)  
 Cable O.D: Up to 11,5mm  
 Colour: Black

**D-Sub High Density:**

Insulator: PBT, Black, UL94 V-0  
 Shell: Stamped Steel, Tin Plated  
 Contact pins: Copper Alloy  
 Stamped & Formed pins: 100 inserts min  
 Contacts Plating: Selective Gold over Nickel  
 Operating Temperature: -55°C to +105°C  
 Withstanding voltage: 500V for 1 minute  
 Insulator resistance: 500MΩ min

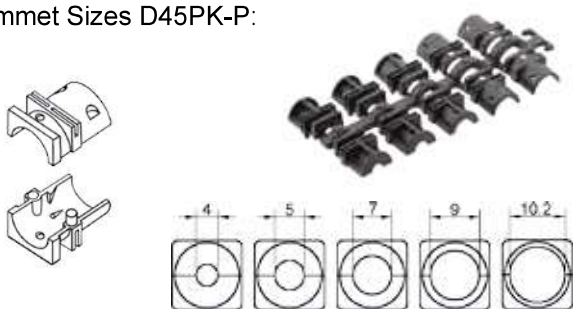
**Features:**

- Available in sizes 9-15-25-37
- Suitable for any common Sub-D connector
- Strain relief inserts ensure a secure termination
- Re-openable



D-Sub-Hood

**Grommet Sizes D45PK-P:**



Size D45PK-P	Dim A	Dim B	Dim C
9-way	31,0	36,3	15,0
15-way	39,5	40,3	15,0
25-way	53,2	40,3	15,0
37-way	69,7	40,3	15,0

**Ordering information:**

**D-Sub Connector Kits (100 inserts min.)**

Size:	P/N - Kitted:	Product Code - MALE Conn. Kit
HD 15	6355-0055-01	D45PK-P-09-HDP15-K
HD 26	6355-0055-02	D45PK-P-15-HDP26-K
HD 44	6355-0055-03	D45PK-P-25-HDP44-K
HD 62	6355-0055-04	D45PK-P-37-HDP62-K

Size:	P/N - Kitted:	Product Code - FEMALE Conn. Kit
HD 15	6355-0055-11	D45PK-P-09-HDS15-K
HD 26	6355-0055-12	D45PK-P-15-HDS26-K
HD 44	6355-0055-13	D45PK-P-25-HDS44-K
HD 62	6355-0055-14	D45PK-P-37-HDS62-K