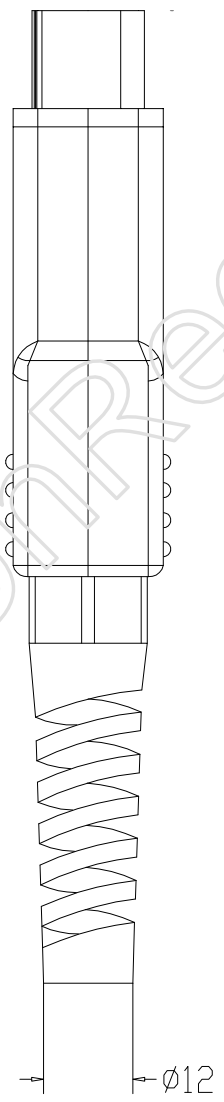
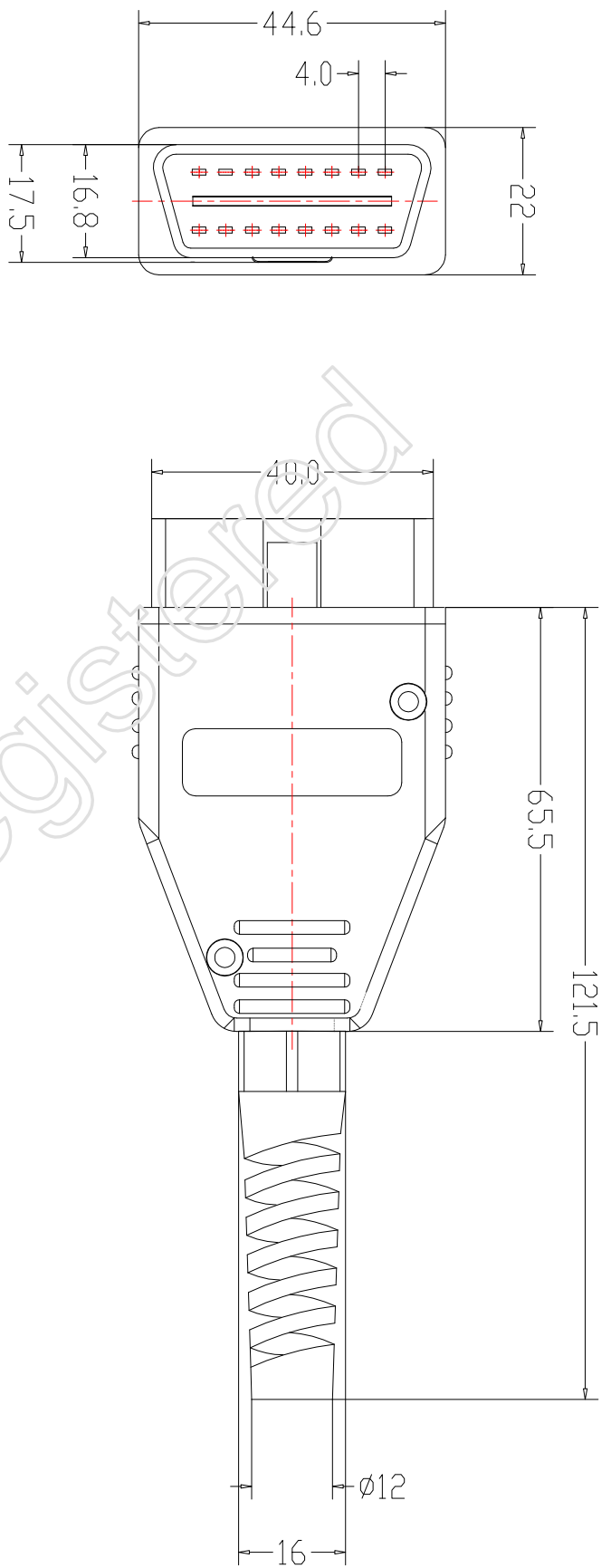


REVISION			
NO.	DESCRIPTION	DATE	REV.



COMTECH ELECTRONIC CO.,LTD

	UNIT: mm	TITLE: C-0BD-II-16MA
--	----------	----------------------

DRAWN BY	DATE	CUSTOMER	CUSTOMER P/N
----------	------	----------	--------------

CHECKED BY	DATE	PART NO.	SAMPLE NO.	REV.
------------	------	----------	------------	------

APPROVED BY	DATE	FILE NO:	A
-------------	------	----------	---

SALE BY	DATE		
---------	------	--	--

Notes:

1. Housing Material: ABS,94V-0,Color: Black
2. SR Material: NYLON,94V-0,Color: Black