

# SIMONWORK BT1 BOX 1200

## mobile



**156 x 151 x 61 cm**  
**61.2" x 59.4" x 29"**

**5** Años Garantía  
 Years Guarantee  
 Jahre Garantie  
 Ans Garantie  
 Anos de Garantía

**SIMONRACK**



Carga uniformemente repartida  
 Evenly distributed load  
 Gleichmäßig verteilte Last  
 Charge uniformément répartie  
 Carga uniformemente distribuida



- |                        |                                |   |                       |                        |   |
|------------------------|--------------------------------|---|-----------------------|------------------------|---|
| 2 x<br>144 cm<br>56.7" | 2 x<br>84 cm<br>33.1"          | 1 x<br>MDF<br>60x120 cm<br>23.6" x 47.3"<br>1 x<br>40x120 cm<br>15.7" x 47.3" | 4 x<br>60 cm<br>23.6" | 4 x<br>120 cm<br>43.3" | 6 x<br>9,5x19 cm<br>3.7"x7.5"                       |
| 1 x<br>120 cm<br>47.3" | 3 x<br>120x20 cm<br>47.3"x7.9" | 8 x   | 2 x<br>60 cm<br>23.6" | 2 x<br>58 cm<br>22.8"  | 1 x<br>35 kg<br>(80 lb)<br>56x110 cm<br>22.0"x43.3" |
| 12x                    | 2 x                            | 2 x   |                       |                        |   |



ESTANTERIAS SIMON S.L. B.50.556.463  
 PG. ALFAMEN C/ POLIGONO C. Nº3  
 ALFAMEN (ZARAGOZA)



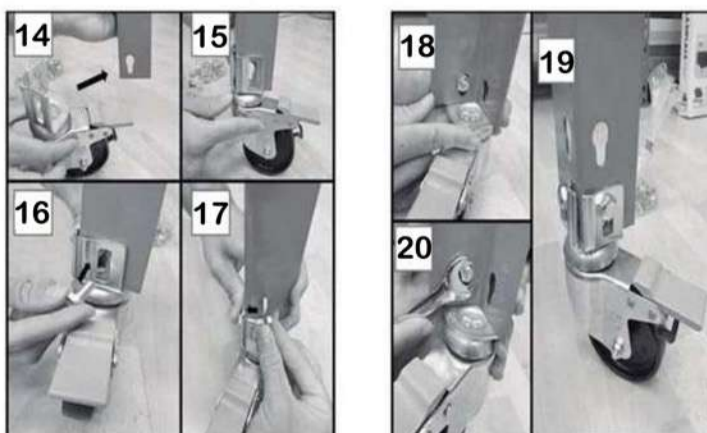
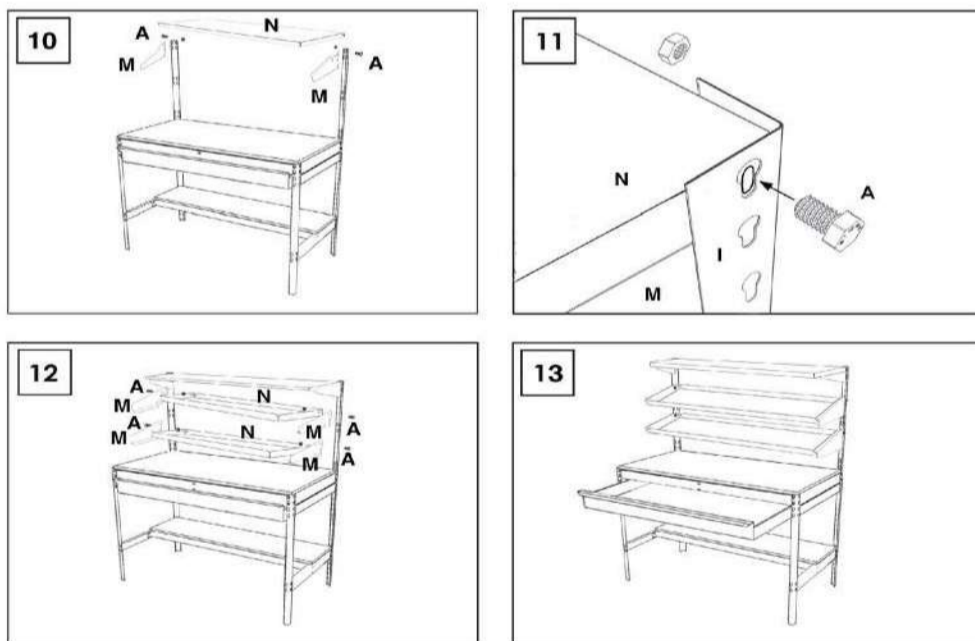
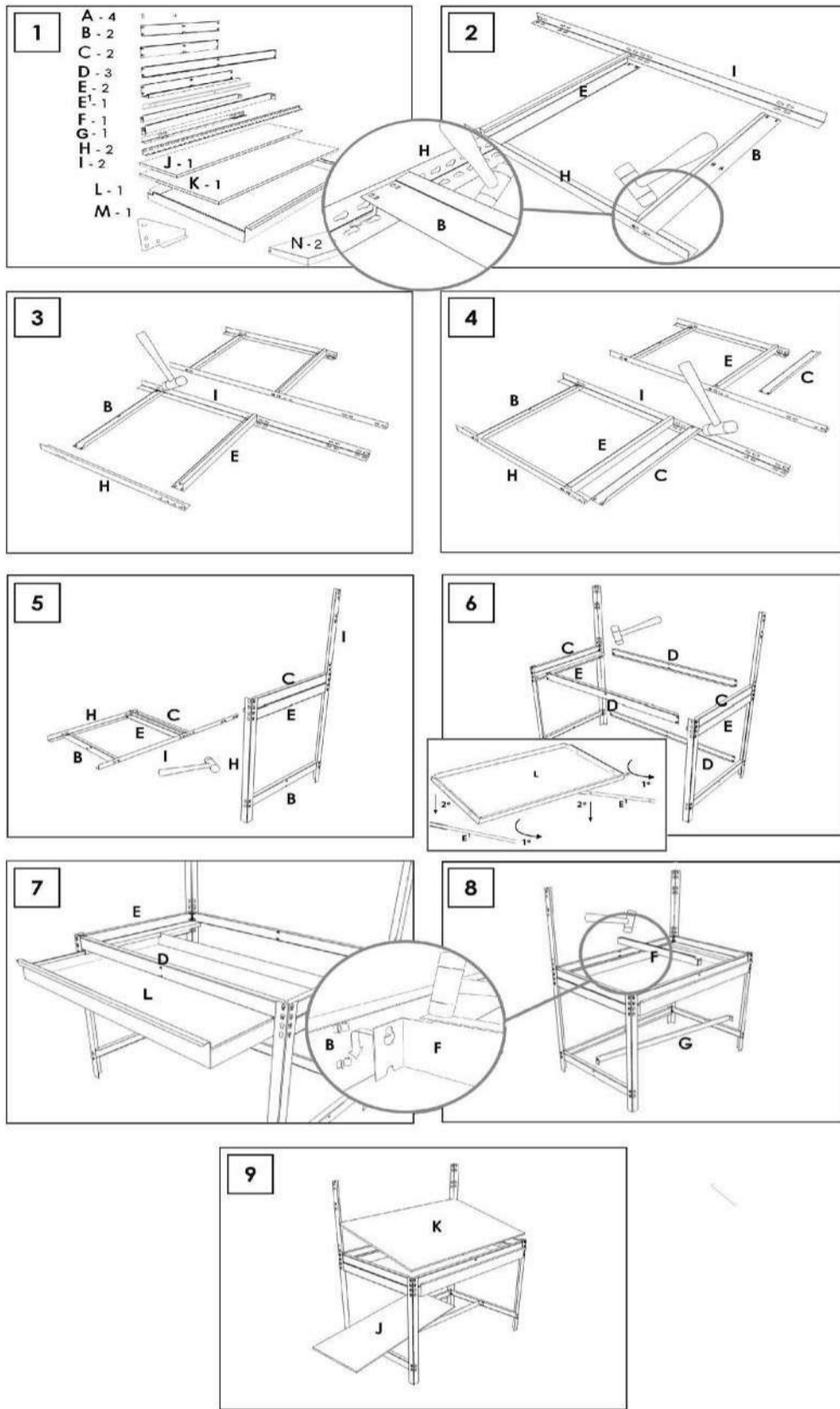
**Simon Rack**  
 SINCE 1964 - MANUFACTURER



[www.simonrack.com](http://www.simonrack.com)



INSTRUCCIONES  
 INSTRUCTIONS  
 ANLEITUNG  
 INSTRUCTIONS



**SIMONCLASSIC**



**SIMONCLICK**



**SIMONTALLER**



**SIMONAUTO**



**SIMONWORK**



**SIMONLOCKER**



**SIMONOFFICE**



**SIMONHOME**



**SIMONGARDEN**



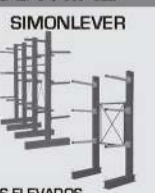
**SIMONTITÁN**



**SIMONINOX**



**SIMONINDUSTRIAL**



AL TILLOS Y PASILLOS ELEVADOS  
PLATFORMS AND MEZZANINES  
LAGERBÜHNEN • PLATES-FORMES ET MEZZANINES



\* Kg / lb por bandeja con carga uniformemente repartida  
Kg / lb per shelf uniformly distributed load  
Kg / lb pro fach bei gleichmäßig verteilter Last  
Kg / lb par plateau avec charge uniformément répartie

