

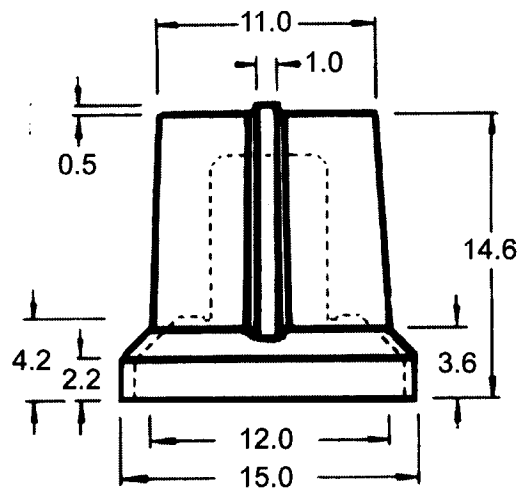
## KNOBS

Order code	Manufacturer code	Description
32-0390	P570-16	15MM KNOB WITH RED POINTER
32-0395	P570-26	15MM KNOB WITH GREEN POINTER
32-0400	P570-36	15MM KNOB WITH YELLOW POINTER
32-0405	P570-46	15MM KNOB WITH BLUE POINTER
32-0410	P570-66	15MM KNOB WITH WHITE POINTER
32-0415	P570-76	15MM KNOB WITH GREY POINTER

KNOBS	Page 1 of 2
The enclosed information is believed to be correct, Information may change 'without notice' due to product improvement. Users should ensure that the product is suitable for their use. E. & O. E.	Revision A 04/07/2003

## 15mm Mixer Style Control Knobs

### Technical Drawing



### Description

A mixer style control knob representing the latest developments in computer controlled two-colour (main body/pointer colour). The knob features a matt black body with various pointer colours (as listed below). The knobs are designed to fit a 6mm splined shaft.