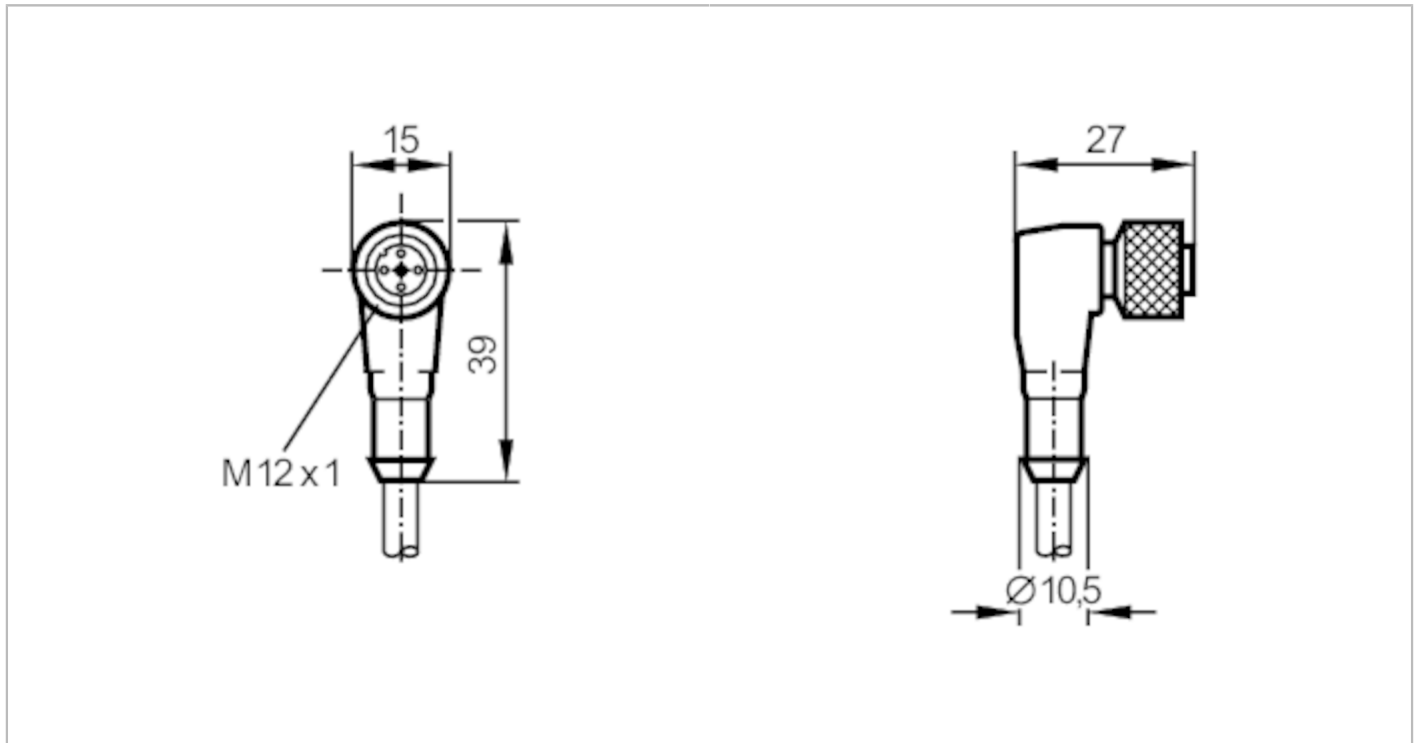


# E10865



## Connecting cable with socket

ADOAH030MSS0002E03



### Electrical data

Operating voltage	[V]	< 250 AC / < 300 DC
-------------------	-----	---------------------

### Operating conditions

Ambient temperature	[°C]	-25...90
Protection		IP 67

### Mechanical data

Weight	[g]	90.1
Dimensions	[mm]	27 x 15 x 39
Materials		TPU
Material nut		brass, nickel-plated

### Remarks

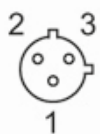
Pack quantity		1 pcs.
---------------	--	--------

### Electrical connection

Cable: 2 m, PVC, orange, Ø 5 mm; 3 x 0.34 mm<sup>2</sup> (19 x Ø 0.16 mm) / AWG 22

### Electrical connection - socket

Connector: 1 x M12, angled; Moulded body: TPU; Locking: brass, nickel-plated; Tightening torque: 0.5 Nm



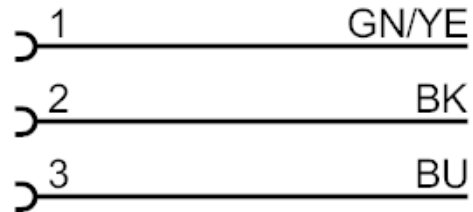
# E10865



## Connecting cable with socket

ADOAH030MSS0002E03

### Connection



Core colours :

BK = black

BU = blue

GN/YE = green/yellow