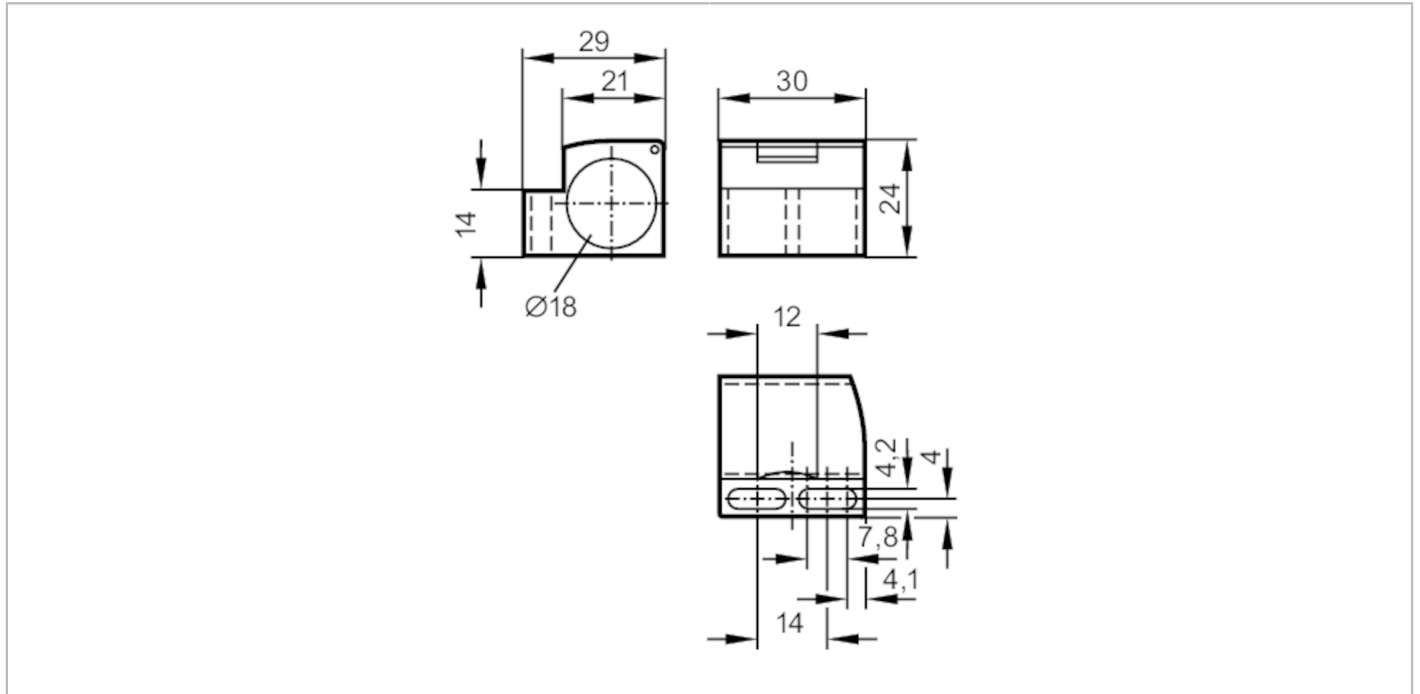


E11995



Mounting clamp for position sensors

MOUNTING CLAMP M18



Application	
Design	with end stop
Installation	for sensors with 45° chamfer
Operating conditions	
Ambient temperature [°C]	-25...85
Mechanical data	
Weight [g]	12.5
Dimensions [mm]	24 x 30 x 29
Inside diameter [mm]	18
Materials	PC
Remarks	
Pack quantity	1 pcs.